

we cover the waterfront - WORLDWIDE



www.jabsco.com



www.rule-industries.com

ITT Corporation, 1 Kondelin Road, Cape Ann Industrial Park,
Gloucester, MA 01930
Tel: +1 978 281 0440 Fax: +1 978 283 2619

Jabsco, 666 E Dyer Road, Santa Ana, CA 92705
Tel: +1 714 557 4700 Fax: +1 714 628 8478

USA

ITT Industries, Bingley Road, Hoddesdon, Hertfordshire EN11 0BU
Tel: +44 (0) 1992 450 145 Fax: +44 (0) 1992 467 132

Cleghorn Waring & Co (Pumps) Ltd, Icknield Way,
Letchworth Garden City, Hertfordshire SG6 1EZ
Tel: +44 (0) 1462 480380 Fax: +44 (0) 1462 482422

UK

NHK Jabsco Co Ltd, 3-21-10, Shin-Yokohama,
Kohoku-ku, Yokohama 222
Tel: +81 (0) 45 475 8906
Fax: +81 (0) 45 475 8908

Japan

Jabsco GmbH, Oststraße 28,
22844 Norderstedt
Tel: +49 (0) 40 53 53 73 0
Fax: +49 (0) 40 53 53 73 11

Germany

Jabsco Marine Italia S.r.l., Via Tommaseo, 6,
20059 Vimercate, Milano
Tel: +39 039 6852323
Fax: +39 039 666307

Italy

Jabsco Marine, 32/F Tower A, Hongqiao City Centre of Shanghai
100 Zunyi Road, Shanghai 200051
Tel: (86) 21 2208 2888
Fax: (86) 21 2208 2999

China

Jabsco Worldwide

Jabsco has served the world's marine market for well over half a century, that is ever since we invented the flexible impeller pump in the 1930's. Today Jabsco is part of ITT Corporation, Inc. (NYSE: ITT), the world's premier and largest producer of pumps, systems and services to move and control fluids, with global sales of \$11.7 billion.

Rule

Rule is a global leader in submersible bilge pumps for the recreational and small commercial boat markets and a leading provider of accessory products such as ventilation blowers. Rule joined ITT's Marine & Leisure family of companies in 1998 guaranteeing the accelerated development and introduction of innovative and reliable products.

Facilities

We serve the marine market from the USA, UK, China, and Mexico - as well as from our own regional sales and distribution facilities in Norderstedt, Germany, Yokohama, Japan, Milan, Italy and Letchworth, UK.

Commitment

The driving force at every Jabsco and Rule location is an integrated policy of quality, innovative product development and customer service, and each plant's dedication to this quality policy is reflected in the award of the internationally recognised ISO 9001, 14001 and 18001 certification.

Distribution network

Jabsco and Rule have a global network of Appointed Marine Distributors selected for their commitment to meeting customer needs. Find their details on our website or at the back of this guide. We direct all Consumer and Trade requests for sales and aftersales service to our Appointed Distributors in the confidence that whether you are a Retailer, a Dealer, a Marine Engineer, a Boatyard or a Boatowner, you will receive the very best advice and support.

Products

Our constantly evolving and expanding product range is specified by many of the world's best known marine engine manufacturers and boatbuilders, both leisure and commercial. From marine engine cooling to bilge to deckwash to fuel transfer to water pressure pumps, from toilets to blowers to searchlights, we cover the waterfront worldwide.

NEW **NEW PRODUCTS**2-5

1 **AN INTRODUCTION TO JABSCO & RULE PUMPS**6-7

2 **TOILET SYSTEMS**
 Introduction8
 Lite Flush Electric Toilets9
 Deluxe Flush Electric Toilets10-11
 Manual Toilets12
 Quiet Flush Electric Toilets13
 Electric Toilets & Kits14
 Electric Conversion15
 Macerator & Waste Pumps16
 Tanks & Accessories17-18

3 **WATER PRESSURE SYSTEMS**
 Introduction20-21
 Automatic Pressure
 Controlled Pumps22-26
 Pumps & Accessories27
 Accumulator Tanks & Check Valve28
 Washdown Pumps29-30
 Washdown and Ballast Pumps31

4 **BILGE PUMPING SYSTEMS**
 Introduction32-35
 Electric Submersible Pumps36-41
 In-Line Submersible Pumps42-43
 Switches - Bilge Pump Control44-46
 Accessories - Hose/Adapters/Fittings47-49
 Amazon Manual Diaphragm Pumps50-51
 Electric Diaphragm Pumps52-53
 Electric Flexible Impeller Pumps54-55
 Engine Driven, Electric Clutch Pumps56-57
 Engine Driven, Manual Clutch Pumps58-59
 Accessories60-61

5 **LIVWELL/BAITWELL PUMPS**
 Livewell/Baitwell Pumps62-63
 Livewell/Aerator64-66

6 **OIL CHANGE & DIESEL TRANSFER PUMPS**
 Oil Change Pumps68-70
 Diesel Transfer Pumps70-72

7 **GENERAL PURPOSE PUMPS**
 Introduction74
 Shower & Sink Drain Pumps75
 Circulation Pumps76
 Specialty Products77-80

8 **VENTILATION BLOWERS**
 Introduction82
 Heavy Duty Radial Blowers83
 Radial Blowers84
 In-Line Blowers85

9 **SEARCHLIGHTS**
 Introduction86
 Remote Control87-91
 Floodlights91-92

10 **FLEXIBLE IMPELLER PUMPS**
 General Introduction94
 Engine Cooling Introduction95-99
 Pulley Driven Pumps100-107
 Upgrade to Jabsco
 Engine Cooling Pumps108-113
 Cooling Pump Spares by
 Make of Engine114-131

11 **IMPELLER REPLACEMENT**
 Introduction132
 Identification133
 Impeller Profiles134-136
 Selection Table by Profile137-138
 Selection Table by Dimensions139-140
 Upgrade to a Jabsco Impeller141
 Trouble Shooting Guide142-143

12 **SERVICE PARTS**
 Gasket, Wearplate &
 End Cover Profiles144-147
 Cam Profiles148-151
 Multilingual Spares Dictionary152
 Flexible Impeller Pumps
 Spares by Pump Model153-176
 Electromagnetic Clutch Pump Parts177
 Obsolete to Current Parts Table178-180
 USA to UK Jabsco Parts Table181-182
 Johnson to Jabsco Parts Table183-184
 DC Flexible Impeller Puppy Pumps185
 AC Flexible Impeller Pumps, AC & DC
 Macerator and Centrifugal Pumps186
 Sliding Vane Pumps187
 Shower Drain Pump
 & Diaphragm Waste Pump188
 Waste Pump &
 Shower Drain/Bilge Pump189
 Traditional PAR Pumps190-193
 PAR-Max 31X95 Series &
 PAR-Mate Water Pumps194
 PAR-Max 4.06 GPM Washdown Pumps195
 Old 30XXX Series PAR-Max Pumps196
 New 31X95 Series PAR-Max Pumps &
 PAR-Max Water Pumps197
 Sensor Max™ VSD & Dual Max VSD198
 Amazon Manual Diaphragm Pumps199-200
 PAR Manual Toilets up to 1997201
 Jabsco Manual Toilets 1998 to 2007202
 Jabsco Manual Toilets 2008 Onwards203
 Electric Conversion for Manual Toilets204
 Electric Toilets205
 Quiet Flush Electric Toilets206
 Designer Style Electric Toilets207
 Deluxe Flush Electric Toilets208-209
 Deluxe Flush Bidet210
 Lite Flush Electric Toilets211
 18590 Series Run-Dry Macerator Pump212
 Replacement Bulb Guide213

A-Z **INDEXES ETC**
 Authorized Service Centers (USA)214
 Marine Distributors215-219
 Inches to Centimetres220
 Celsius and Fahrenheit220
 US Gallons (usg) to Litres to
 UK Imperial Gallons (ig)221
 Product Alpha Index222
 Product Number Index223-224



Lite Flush

This new electric toilet has been designed to instantly retro-fit your existing manual toilet or to give your bathroom a modern stylish look.

- Innovative new design.
- Lightweight and compact.
- Stylish and contemporary design.
- NEW quiet and efficient flush pump technology.
- Low water and power usage.
- Integral rinse and waste pump system.
- Slow close seat and lid.
- Available with foot switch or control panel.

SEE PAGE 09



Deluxe Flush Range

This range of luxury toilets is now complete with the addition of the new 14" electric toilet and the new 17" bidet.

- Virtually silent operation.
- Minimal water usage.
- Angled or vertical back.
- New electronic touch pad controller designed to adapt to standard Gewiss and Vimar switch fascias.
- Space saving stylish design.

SEE PAGE 10



Digital Holding Tank Management Systems

The easy to install new digital holding tank management system offers a full range of user convenient features to monitor and evacuate waste.

- Level indication.
- Automatic alert when tank starts to reach full.
- Sleep mode.
- Empty function.
- Accurate level readings which allows for the motion of the boat.

SEE PAGE 17



Flush Mount Floodlight

The new Jabsco flush mount floodlight features a small footprint design with a dual gasket design to ensure weatherproof installations.

- Sealed beam "flood" provides a very even beam pattern with no hot spots.
- Clean edge cut-offs prevent stray lighting.
- 12 volt, 50 watt tungsten halogen bulb with 450 hour average life.
- Small footprint design.
- Tough, white U.V. stable housing will not "yellow".
- Weatherproof mounting gasket for leak-free installation.

SEE PAGE 92



233 SL Dual Beam Searchlight

Innovative by design, the new 233 SL has a clean, modern look with a multitude of new features.

- 200,000 Candlepower.
- Continuous 360 degree range.
- Wireless control allowing up to 4 control stations.
- Quick release bayonet base.
- Spot and flood.
- Fast and slow speeds.
- Auto sweep function.

SEE PAGE 87



18220-1127 (Yellow Impeller)

The choice of motor boat builders for ski and wakeboard ballast systems.

- Unique impeller compound.
- Handles debris.
- Reversible.
- 8 gpm (32 lpm) flow.
- Easy service.

SEE PAGE 31



DIY Oil Changer

Fully assembled easy to use oil change system, ideal for boat owners.

- 12 Volt pump and power leads supplied.
- Fixed lid prevents tipping.
- Teflon dipstick hose supplied.

SEE PAGE 68

New Products



Magnetic Drive Circulation Pumps

Highly engineered long life brushless DC centrifugal pumps for marine use.

- Variable speed.
- Seal-less pump heads.
- Quiet operation.

SEE PAGE 76

5 Chamber Washdown

This new high pressure Washdown pump system will provide many years of reliable service. The Powerful spray makes cleaning your boat or dock faster and easier than ever!

- High pressure/high capacity.
- Suitable for use with salt water.
- Long life sealed motor.
- Dry running capability.
- Corrosion resistant.



SEE PAGE 31

Water Pressure System

This new Par-max Series 7.0 GPM Water Pressure Pump is designed to service up to seven outlets with smooth flow and hassle-free operation.

- 7.0 gpm (26.5 lpm) Open Flow Rate.
- Up to 60 psi (4.1 bar).
- Self-Priming / Runs Dry.
- Silent Operation.
- Low Amp Draw.



SEE PAGE 29

3.0 Washdown Pump Kit

The NEW 3.0 GPM Washdown kit offers a powerful 50 PSI (3.4 bar) switch for quick cleaning of your vessel and a fully sealed motor to withstand harsh marine environments.

- Snap fit fittings for easy installation.
- Includes Pumpgard strainer.
- Low amp draw.



SEE PAGE 30

New Products



Rule Mate

Fully Automated Bilge Pumps.
No Float Switch Required.

The NEW eco-friendly Rule Mate series of Bilge pumps feature a solid state water sensing technology that eliminates the need for a separate float switch.

When water enters the bilge and reaches a certain height (2-3/4 inches, 70mm), a sensor turns the pump on. After the water is pumped out, another sensor shuts the pump off.

The sensor's unique "field effect" technology is eco-friendly because they only sense the dielectric constant of water. In the event of an onboard oil spill, straight motor oil that enters the bilge will not turn the pump on. The result is the most technically advanced and eco-friendly bilge pump available in the marketplace. It's part of Rule's continuing commitment to preserving our navigable waterways.

The new Rule Mates are available in 500, 750 and 1100 GPH (1893, 2839 and 4164 LPH) models.

Rule has been building bilge pumps for 30-years. The pumps are preferred by yachtsmen and commercial fishermen the world over.

Features and Benefits:

- All-in-one pump & switch - No float switch required.
- Pump turns on when water level rises & shuts off when water is removed.
- Will not pump oil - Straight motor oil that enters the bilge will not turn the pump on.
- Snap-off strainer for easy cleaning.
- Anti-Fouling Impeller.
- Limited three year warranty.

SEE PAGE 36



Charge N' Flow

A Fully Submersible and Rechargeable Portable Pump Kit.

The award winning new Charge N' Flow pump is rechargeable, submersible, and is designed for a wide variety of applications, both onboard and ashore.

The versatility of the pump along with multiple power options makes it the ideal pump to keep on hand for any situation. Plus, with battery power and two convenient power options, it works wherever you need it.

The kit comes complete with a 12 volt 280 GPH (1060 LPH) pump, eight feet (2.4m) of lay flat hose, spray nozzle, enclosed battery, 110v ac battery charger, battery clip adapter and a vehicle power adapter. It also includes a filter for use in submersible mode or when the filter is removed, the pump can be used inline.

The Charge n' Flow pump is very compact, only 5.5 inches (140mm) tall and 1.5 inches (38mm) in diameter, and can handle up to 100 gallons of water (379 L) on a single battery charge. When connected to a car battery, it can pump endless amounts of water!

Features and Benefits:

- Pumps fresh water, sea water, diesel and anti-freeze.
- Diesel refuelling and transfer.
- Pumps 100 gallons (379 L) per charge.
- All components are enclosed in a convenient carrying case.
- Three power options included - rechargeable battery, car battery clip adapter and vehicle power adapter.

Currently only available in US voltage-
Worldwide models to be launched soon.

SEE PAGE 42



Introduction



Flexible Impeller

Good Pumping Practice:

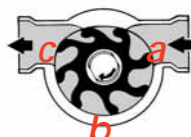
Pipe runs should always be kept as short and straight as possible. Plumbing should always be reinforced, non-collapsible hose of the recommended size. Electric pumps should always be installed in a dry, well ventilated position as close to the liquid to be pumped as possible.

Flexible impeller pumps must not be run dry. Bilge pumps and water pumps in particular should always be fitted with a filter or strainer on the inlet plumbing to protect them from debris. These should be fastened to the boat structure to ensure their permanent location. Mount flexible impeller pumps so that some water is left in the pump body when the pump is shut off. This will prolong impeller life and speed priming. Pumps must be installed with the overboard discharge well above the waterline (both static and heeled) to avoid water siphoning back into the vessel.

Features:

- **Versatile:** The flexible impeller pump combines the priming features of positive displacement type pumps with the general transfer ability of centrifugals. It will pump either thin or viscous liquids and can handle more solids in suspension than other types of rotary pumps. The pump can be mounted at any angle and will pump in either direction with equal efficiency.
- **Self-Priming:** Pumps instantly with dry suction lifts up to 10ft (3m) and up to 25ft (8m) when wetted.
- **Simplicity:** One moving part - a tough, long-life, wear-resistant flexible impeller.
- **Flexibility:** The flexible impeller pump offers both high flow and high pressure according to motor and impeller design.

How it works:



- a.** Flexible impeller blades create a nearly perfect vacuum for instant self-priming.
- b.** As the impeller rotates, each successive blade draws in liquid and carries it from intake to outlet port.
- c.** As the flexible impeller blades contact the offset cam they bend with a squeezing action that provides a continuous, uniform flow.



Centrifugal

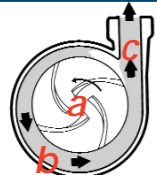
Good Pumping Practice:

Pipe runs should be kept as short and straight as possible, avoiding rising and dipping over obstructions as this can cause air-locks. Always use hose of the recommended size. Submersible bilge pumps must be installed with the overboard discharge well above the waterline (both static and heeled) to avoid water siphoning back into the vessel.

Features:

- **High Volume Flow:** Centrifugal pumps handle high volumes with a smooth, non-pulsating flow. The flow rate can be regulated from maximum output to no flow with no damage to the pump. An excellent pump for general transfer applications.
- **Low Maintenance:** Few moving parts mean that wear due to operation is minimal.
- **Easy Installation:** Compact size for flow rate. Option of port positions simplifies pipe runs.
- **Versatility:** Centrifugal pumps can be built in submersible form making excellent bilge pumps.
- **Low Power Consumption:** Electric centrifugal pumps consume less power than most other bilge pumps.

How it works:



- a.** Centrifugal pumps must be either initially primed or mounted in such a way that liquid is permanently available at the inlet port (eg. submersible pumps).
- b.** The rotating impeller gives velocity energy to the liquid moving it to the periphery of the volute casing and towards the discharge port.
- c.** The volute casing discharge arrangement converts velocity energy into static pressure or available pump head.



WARNING

No pump manufactured by Jabsco should be used for gasoline, petroleum products or any fluid with a flash point below 100°F (38°C).

Introduction



Sliding Vane

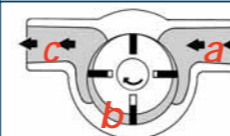
Good Pumping Practice:

Pipe runs should be kept as short and straight as possible, avoiding rising and dipping over obstructions as this can cause air-locks. Always use hose of the recommended size and of a rigid or reinforced type that will not collapse under suction conditions. Electric pumps should always be installed in a dry, well ventilated, position as close as possible to the liquid to be pumped.

Features:

- **Durable:** Heavy duty construction in quality materials gives long life. The body is designed to resist environmental damage. The vanes and rotor are constructed of a wear resistant long life material.
- **Self-priming:** Self-priming up to 13ft (4m).
- **Simplicity:** There are few moving parts to replace. The rotor, vanes and seal are lubricated by the liquid being pumped.
- **Versatile:** An excellent compact unit for pumping diesel fuel or hydraulic oil. Can run in either direction.

How it works:



- a.** The vanes create a partial vacuum for priming.
- b.** As the rotor rotates, each successive vane draws and carries liquid from the intake to the discharge port.
- c.** When the vanes contact the eccentric portion of the pump body, they force liquid out the discharge port.



Diaphragm

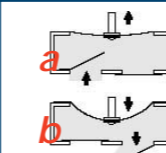
Good Pumping Practice:

Electric pumps should always be installed in a dry, well ventilated position as close as possible to the liquid to be pumped. Plumbing should always be reinforced, non collapsible hose of the recommended size. Bilge pumps and water pumps in particular should always be fitted with a filter and strainer on the inlet plumbing to protect them from debris. These should be fastened to the boat structure to ensure their permanent location. Pumps must be installed with the overboard discharge well above the waterline (both static and heeled) to avoid water siphoning back into the vessel. Electric diaphragm pumps can be run dry for up to 2 hours.

Features:

- **Self-priming:** Vertical lift up to 16ft (5m) for manual pumps and 6-10ft (2-3m) for electric pumps.
- **Dry Running:** Diaphragm pumps can be run dry for extended periods with no damage, therefore requiring less attention in use.
- **Versatility:** Self-priming and dry running capabilities mean few limitations on use. Larger manual diaphragm pumps have the ability to handle some solids in suspension. Electric diaphragm pumps make excellent bilge pumps for boats with shallow bilges, or bilges with restricted areas.
- **Quiet Running:** Electric pumps feature smooth flow and low noise levels.

How it works:



- a.** The diaphragm, pulled upwards by the movements of a piston or a handle causes a partial vacuum, opening the inlet port and closing the outlet, drawing in liquid.
- b.** Downward movement of the diaphragm pressurizes the liquid, closing the inlet valve and opening the outlet valve through which liquid is expelled by pressure.

Introduction

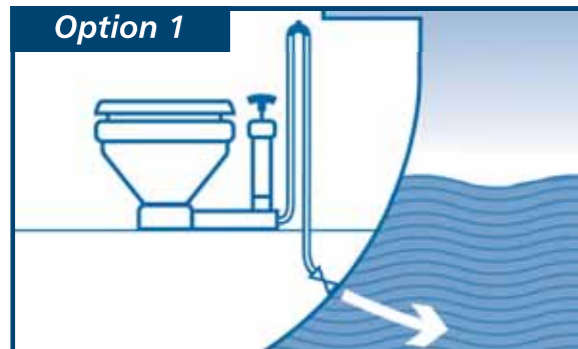


At Jabsco we are the world's largest manufacturers and suppliers of small craft marine toilets - so we've built a fair degree of experience in heads systems and their design and installation.

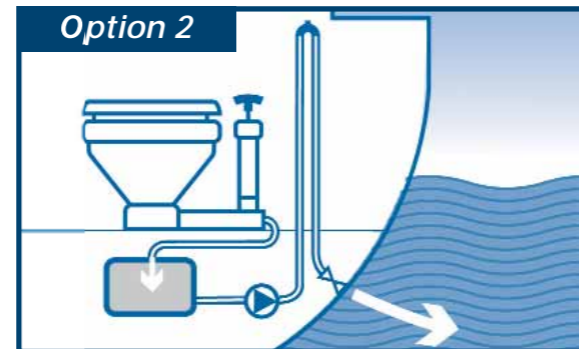
Far and away the most widely used marine toilets are manually operated. Our 29090/29120 series have been the most popular type worldwide over the last ten years. We have now improved them even further with stronger materials, new styling and new features that make them even easier to service and maintain. With modern design and materials manual toilets are easy to install and service, simple and clean to use and offer exceptional value for money. Remember there are two bowl sizes to choose from, and normally even the smallest boats have enough space for the comfort of a full sized bowl (29120 series) for just a little extra cost.

Our luxury range of Lite Flush, Quiet Flush and Deluxe Flush electric toilets feature low noise levels, so sleeping guests will not be disturbed when the toilet is used! There are options of either flushing with fresh water from the boat's own supply or with salt, river or lake water from outside the boat. Lite Flush toilets have an integral rinse and waste pump system encased in a stylish housing. DF and DS Series toilets have domestic style bowls with all pump components hidden from view. Quiet Flush Toilets have the pump at the rear of a narrow base and so can be installed in more narrow spaces. Three way controls allow water level to be increased or decreased.

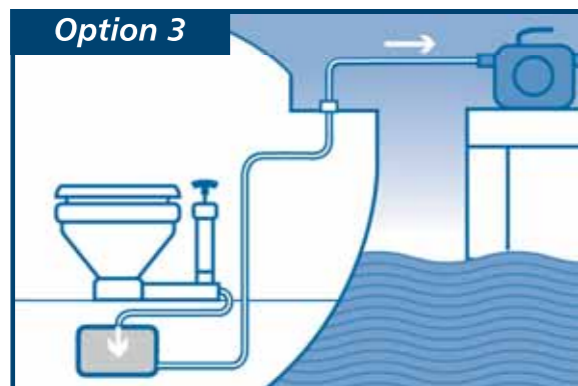
We at Jabsco all understand the importance of keeping the environment clean and free from waste. However it is unfortunate that there is no internationally accepted legislation to guide us on how to deal with the waste from our toilet systems. For this reason Jabsco have produced this guide which details the four most common ways of dealing with toilet waste. It is important to note that your choice of system may be governed by your own national and local rules and regulations.



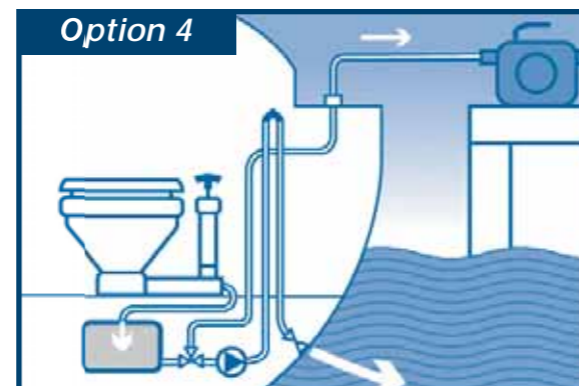
Discharge waste through a Y-valve directly into a non-restricted area or to a holding tank when within the three mile limit using the toilet's own pump and an anti-syphon loop.



Collect waste in an on-board holding tank so that it can be discharged later when you are in un-restricted waters using an electric or manual pump.



Collect waste in an on-board holding tank for discharge later to a Shore Station using a dockside suction pump or portable utility pump.



A combination of Option 2 and 3 to give you the flexibility of discharging waste wherever most convenient and without risk to the environment.

Quiet Flush Conversion kits allow owners of 37010 and many other types of electric or manual toilets to upgrade to full Quiet Flush specification. All our electric toilets use surprisingly little power, and are simple to operate for newcomer and experienced crews alike.

Manual toilets can be upgraded to electric by the Lite Flush Electric Toilet. The NEW Lite Flush has been designed to instantly retrofit your existing manual toilet with the same footprint, fixing points and hose attachments as the Jabsco manual toilet.

All our toilets can be used on inland waterways, rivers, lakes or the sea, and can be installed above or below the waterline. However, attention must be paid to installation instructions for safety and installations must meet with local regulations concerning overboard discharge. All our toilets are designed to discharge overboard or into holding tanks as necessary.

Lite Flush Electric Toilets



NEW

Lite Flush Electric Toilet

A NEW Electric Toilet designed to instantly retro-fit your existing manual toilet or, to give your bathroom a modern, stylish look.

The Lite Flush is Jabsco's new stylish low power consuming electric toilet, designed specifically to replace an existing Jabsco manual toilet. The installation is quick and straight forward due to the same footprint, fixing points and hose attachments as the Jabsco manual toilet.

The compact and lightweight design with its ceramic bowl and plastic outer casing makes it very easy to clean. It is fitted with a new quiet and efficient flush pump which has large clearances to help prevent blockages.

Lite Flush toilets are available with either a foot switch (left or right fitting) or the wall mounted control panel currently used on the Deluxe Flush Range.

- Lightweight and compact.
- Stylish and contemporary design.
- Slow close seat and lid.
- Integral rinse and waste pump system.
- Low water usage - 1.2 litres (1.3 US Quarts) per flush.
- Low power consumption.
- Complies with USCG 183.410 and ISO 8846 MARINE (Ignition Protection).

For service and spare parts listing see [page 211](#).



Lite Flush with Foot Switch

58500-00XX Series are supplied with a simple to use, one press foot switch. Simply press once to fill the bowl, bowl can be left wet or dry, and press again to flush.

Fitting: Connections for 3/4" (19mm) ID inlet hose and 1 1/2" (38mm) outlet hose.

Size: 14 3/4" (37cm) high x 15 3/4" (40cm) wide x 15 3/4" (40cm) deep.

Weight: : 24lb (11kg).

58500-0012 Foot switch, 12 volt DC, fuse 25 amp.

58500-0024 Foot switch, 24 volt DC, fuse 15 amp.



Lite Flush with Control Panel

58500-10XX Series are supplied with a new multi-function "one touch" wall mounted control panel, which also adapts to standard Gewiss and Vimar fascia panels.

Fitting: Connections for 3/4" (19mm) ID inlet hose and 1 1/2" (38mm) outlet hose.

Size: 14 3/4" (37cm) high x 15 3/4" (40cm) wide x 15 3/4" (40cm) deep.

Weight: : 24lb (11kg).

58500-1012 Control panel, 12 volt DC, fuse 25 amp.

58500-1024 Control panel, 24 volt DC, fuse 15 amp.

Deluxe Flush Electric Toilets



Deluxe Flush Range

The Deluxe Flush range is Jabsco's newest offering to the top of the range electric toilet market. This range is now complete with the new 14" and existing 17" electric toilets and the new 17" bidet.

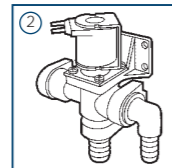
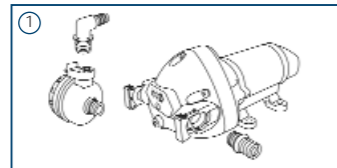
Deluxe Flush Range of Electric Toilets

The stylish and extremely compact design is carefully contoured to conceal the flush pump, wiring and plumbing, whilst still featuring a full-size household seat.

Both 14" and 17" electric toilets are offered in a choice of a slant back or a straight back. The slant back version gives a minimal footprint and makes it easy to mount against a sloping surface or in a corner. The straight back version allows snug fitting against a vertical bulkhead.

The toilets feature a NEW multifunctional 'one touch' control pad which adapts to standard Gewiss and Vimar switch fascias.

- ① 582X0 Series are supplied with a remote mounted self-priming pump to bring in sea, river or lake water to rinse. Complete with Pumpgard™ strainer.
- ② 580X0 Series are supplied with a solenoid valve and syphon breaker assembly for connection to any existing pressurised water system capable of delivering 2.9 US gpm (11 lpm) or more. The syphon breaker ensures there is no backflow from the toilet into the water system.



- Virtually silent operation for comfort on board
- Choice of four rinse options for minimum water usage 1.5 US Quarts (1.5 litres)
- Fresh or salt water flush options
- Anti-blocking centrifugal flush pump

- High vitreous china bowl
- No 'dirt traps' for maximum hygiene and easy cleaning
- Complies with USCG 183.410 and ISO 8846 MARINE (Ignition protection)

For service and spare parts listing see page 208-210.



Slant Back

Deluxe Flush 14" Slant Back Electric Toilets

Fitting: Connections for 3/4" (19mm) ID inlet hose and 1 1/2" (38mm) outlet hose.
Size: 14 3/8" (36cm) high x 14 1/2" (37cm) wide x 17 5/8" (45cm) deep.
Weight: 58060 Series - 53lb (24kg).
 58260 Series - 57lb (26kg).

- 58060-1012** 14" Slanted Back Bowl with Solenoid Valve 12 volt DC, fuse 25 amp.
- 58060-1024** 14" Slanted Back Bowl with Solenoid Valve 24 volt DC, fuse 15 amp.
- 58260-1012** 14" Slanted Back Bowl with Intake Pump 12 volt DC, fuse 25 amp.
- 58260-1024** 14" Slanted Back Bowl with Intake Pump 24 volt DC, fuse 15 amp.



Slant Back

Deluxe Flush 17" Slant Back Electric Toilets

Fitting: Connections for 3/4" (19mm) ID inlet hose and 1 1/2" (38mm) outlet hose.
Size: 17 1/4" high x 14 1/2" wide x 17 1/2" deep (44.0cm x 37.0cm x 44.5cm).
Weight: 58020 Series - 62lb (28kg).
 58220 Series - 67lb (30kg).

- 58020-1012** 17" Slanted Back Bowl with Solenoid Valve 12 volt DC, fuse 25 amp.
- 58020-1024** 17" Slanted Back Bowl with Solenoid Valve 24 volt DC, fuse 15 amp.
- 58220-1012** 17" Slanted Back Bowl with Intake Pump 12 volt DC, fuse 25 amp.
- 58220-1024** 17" Slanted Back Bowl with Intake Pump 24 volt DC, fuse 15 amp.

Deluxe Flush Electric Toilets



Straight Back

Deluxe Flush 14" Straight Back Electric Toilets

Fitting: Connections for 3/4" (19mm) ID inlet hose and 1 1/2" (38mm) outlet hose.
Size: 14 3/8" (36cm) high x 14 1/2" (37cm) wide x 17 5/8" (45cm) deep.
Weight: 58080 Series - 55lb (25kg).
 58280 Series - 60lb (27kg).

- 58080-1012** 14" Straight Back Bowl with Solenoid Valve 12 volt DC, fuse 25 amp.
- 58080-1024** 14" Straight Back Bowl with Solenoid Valve 24 volt DC, fuse 15 amp.
- 58080-1012** 14" Straight Back Bowl with Intake Pump 12 volt DC, fuse 25 amp.
- 58080-1024** 14" Straight Back Bowl with Intake Pump 24 volt DC, fuse 15 amp.



Straight Back

Deluxe Flush 17" Straight Back Electric Toilets

Fitting: Connections for 3/4" (19mm) ID inlet hose and 1 1/2" (38mm) outlet hose.
Size: 17 1/4" high x 14 1/2" wide x 17 1/2" deep (44.0cm x 37.0cm x 44.5cm).
Weight: 58040 Series - 69lb (31kg).
 58240 Series - 64lb (29kg).

- 58040-1012** 17" Straight Back Bowl with Solenoid Valve 12 volt DC, fuse 25 amp.
- 58040-1024** 17" Straight Back Bowl with Solenoid Valve 24 volt DC, fuse 15 amp.
- 58240-1012** 17" Straight Back Bowl with Intake Pump 12 volt DC, fuse 25 amp.
- 58240-1024** 17" Straight Back Bowl with Intake Pump 24 volt DC, fuse 15 amp.



NEW

Deluxe Flush Bidet

Jabsco's new Deluxe Flush Bidet completes the range and is the perfect match to the 14" and 17" electric toilets.

- Discreet side mounted mixer valve.
- Closable waste outlet.
- Crevice free contours for added cleanliness and hygiene.
- All plumbing concealed.

Fitting: Inlet - connections for 1/2" (13mm) BSP Outlet - standard 1 1/2" (38mm) waste outlet to be connected to water trap.
Size: 15 3/4" (40cm) high x 14 1/2" (37cm) wide x 17 5/8" (45cm) deep.
Weight: 48lb (18kg).
58090-1000 Bidet, straight back.



Manual Toilets

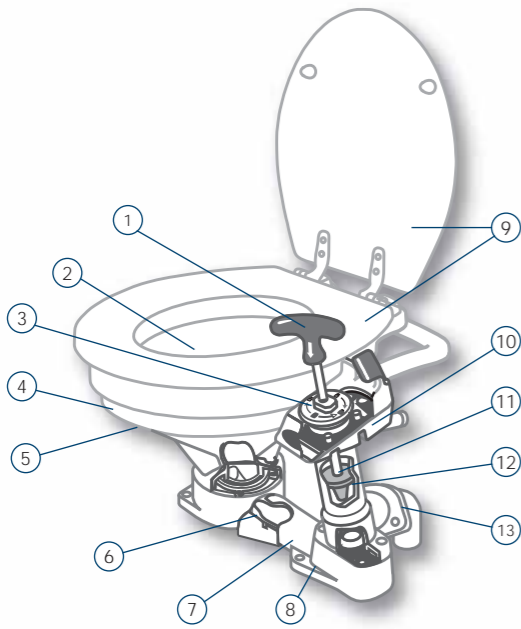


Twist 'n' Lock Manual Toilets

Jabsco is the world's largest manufacturer of small craft marine toilet systems and we have applied all our experience into our latest manual toilet refining the design that is used by nearly all boatbuilders worldwide.

For extra safety and peace of mind the intuitive, simple to use, Twist 'n' Lock action handle guards against syphonic flooding and waste backflow. With one easy 90° turn of the handle, the lock is applied. Turning the handle back to the natural operating position opens the lock again.

- ① Twist 'n' Lock safety handle and flush control lever.
 - ② Powerful swirl action for efficient flushing.
 - ③ Full sized external seal housing allows quick clean seal replacement and instant access to pump cylinder.
 - ④ Hygienic pure white vitreous china bowl for ease of cleaning.
 - ⑤ Full size regular bowl or compact bowls available.
 - ⑥ Constant 1 1/2" (38mm) bore wastepipe.
 - ⑦ Crevice free contours and smooth mouldings for added hygiene.
 - ⑧ Reversible pump mounting for choice of right or left handed installation.
 - ⑨ Stylised luxury wooden seat and cover with tough baked enamel coating.
 - ⑩ Automatic vacuum breaker for easier pumping.
 - ⑪ Powerful self-priming pump for above or below waterline installation.
 - ⑫ Angled pump housing and long stroke for ease of operation.
 - ⑬ Multi-angled discharge elbow contributes to ease of installation.
- All fastenings face front or top for ease of maintenance.
 - Flexible design for both overboard discharge and holding tanks.
 - Corrosion resistant materials throughout for reliable fresh or salt water service.



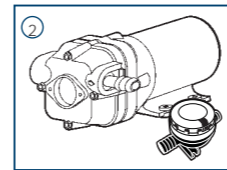
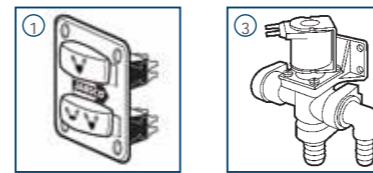
- Fitting:** Connections for 3/4" (19mm) ID inlet hose, 1 1/2" (38mm) ID outlet hose.
- Size:** Regular: 18 1/2" wide x 19" deep x 13 3/4" high (47cm x 48cm x 35cm).
Compact: 17 3/4" wide x 16" deep x 13 1/2" high (45cm x 41cm x 34cm).
- Weight:** Regular: 23 1/2lb (11.6kg). Compact 20 1/2lb (9.3kg).
- 29120-3000** Regular bowl size.
29090-3000 Compact bowl size.
29045-3000 Service Kit.
29127-1000 Replacement Regular Seat and Lid.
29097-1000 Replacement Compact Seat and Lid.

For service and spare parts listing see [page 167](#).

Quiet Flush Electric Toilets



37045-Series



37045-Series

Quiet Flush Electric Toilets

Quiet Flush Toilets are a variation of the well proven and popular 37010 Series Electric Toilet. Designed to radically reduce noise levels, Quiet Flush Toilets make life on board more comfortable for all crew members, even those sleeping!

Two versions are available, either for connection to the vessels existing pressurized water system or supplied with a remote mounted pump to use salt, river or lake water to flush.

- ① Three way control panel allows the operator to select a normal flush and drain cycle or to lower or raise the water level.
 - ② 37245 Series are supplied with a remote mounted quiet running flush pump to bring in sea, river or lake water for flushing. Complete with Pumpgard™ strainer.
 - ③ 37045 Series are supplied with a solenoid valve and syphon breaker assembly for connection to any existing pressurized water pump with a flow rate of 3.5 gpm (13.5 lpm) or more. The syphon breaker prevents back flow from the toilet to the water system.
- May be mounted up to 3ft (1m) below the water line with proper plumbing to prevent flooding.
 - Both models feature a powerful macerator discharge pump that breaks up waste and evacuates the toilet.
 - Both models are supplied complete with 6ft (2m) of white hose to neatly connect the inlet bowl fitting to either the solenoid valve/syphon breaker assembly or inlet pump.
 - Available in regular or compact bowl sizes.
 - Hygienic, pure white vitreous china bowl for ease of cleaning.
 - Complies with USCG 183.410 and ISO 8846 MARINE (Ignition Protection).

- Fitting:** Connections for 3/4" (19mm) ID inlet hose and 1" (25mm) discharge hose. (Adaptor included for connection to 1 1/2" (8mm) discharge hose.)
- Size:** Compact Bowl: 13 3/4" high x 14" wide x 17 1/2" deep (35cm x 35cm x 45cm).
Regular Bowl: 14 1/2" high x 14 1/2" wide x 19 3/4" deep (37cm x 37cm x 50cm).
- Weight:** 37045 Compact: 34lb (15.4kg).
37045 Regular: 38lb (17.3kg).
37245 Compact: 38lb (17.2kg).
37245 Regular: 42lb (19.1kg).

- 37045-0092** Compact size, 12 volt DC model, fuse 25 amp.
37045-0094 Compact size, 24 volt DC model, fuse 15 amp.
37045-1092 Regular size, 12 volt DC model, fuse 25 amp.
37045-1094 Regular size, 24 volt DC model, fuse 15 amp.
37245-0092 Compact size, 12 volt DC model, fuse 25 amp.
37245-0094 Compact size, 24 volt DC model, fuse 15 amp.
37245-1092 Regular size, 12 volt DC model, fuse 25 amp.
37245-1094 Regular size, 24 volt DC model, fuse 15 amp.
29127-1000 Replacement Regular Seat and Lid.
29097-1000 Replacement Compact Seat and Lid.
90197-0000 Service Kit, Seal & O-Rings
30617-1000 Service Kit, Flush Pump - 37245 series only.

For service and spare parts listing see [page 206](#).

Quiet Flush Electric Kits

Build your own Quiet Flush Toilet using existing Jabsco 37010 Series Toilets or any Manual or Electric toilet bowl with bolt fixing on a 3/4" (95mm) diameter circle, to upgrade to Quiet Flush operation. The same options are available as the complete toilet for fresh or salt water flush.

- ① Three way control panel allows the operator to select a normal flush and drain cycle or to lower or raise the water level.
 - ② 37255 Series are supplied with a remote mounted quiet running flush pump for use with salt, river or lake water. Complete with Pumpgard™ strainer.
 - ③ 37055 Series are supplied with a solenoid valve and syphon breaker assembly for connection to any existing pressurized pump of 3.5 gpm (13.5 lpm) or more.
- Comprehensive kit has all necessary components, except bowl, seat and lid.
 - Complies with USCG 183.410 and ISO 8846 MARINE (Ignition Protection).

- Fitting:** Connections for 3/4" (19mm) ID inlet hose and 1" (25mm) discharge hose. (Adaptor included for connection to 1 1/2" (38mm) discharge hose.)
- Size:** 12" long x 8 1/4" wide x 3 1/4" high (32cm x 21cm x 8cm)
- Weight:** 37055 Series: 12 1/2lb (5.7kg)
37255 Series: 16 1/2lb (7.5kg)
- 37055-0092** 12 volt DC model, fuse 25 amp
37055-0094 24 volt DC model, fuse 15 amp
37255-0092 12 volt DC model, fuse 25 amp
37255-0094 24 volt DC model, fuse 15 amp
90197-0000 Service Kit, Seal & Gaskets

For service and spare parts listing see [page 206](#).

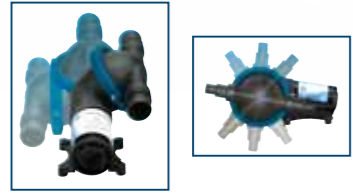


37055-Series



37255-Series

Macerator & Waste Pumps



Waste Pump

Robust diaphragm pump passes solids and is particularly effective in emptying holding tanks. The multi-positional pump head offers a variety of installation options.

- 5 gpm (19 lpm) output.
- Self-priming up to 10ft (3m).
- Capable of extensive dry running.
- Compact and simple design.
- Quiet running.
- Flexible installation.
- Corrosion resistant parts.

- Complies with USCG 183.410 and ISO 8846 MARINE (Ignition Protection).
- ISO 8849 MARINE (Bilge Pump Standard).

Fitting: Connections for 1½" (38mm) ID hose.

Size: 10.9" long x 6.1" wide x 4.4" high (27.7cm x 15.5cm x 11.1cm).

Weight: 6lb (2.7kg).

50890-1000 12 volt DC model, fuse 10 amp.

50890-1100 24 volt DC model, fuse 5 amp.

SK890 Service Kit.

For service and spare parts listing see [page 189](#).

Run-Dry Macerator Waste Pump

The latest version of the Macerator Pump now has a fully sealed motor and a new more powerful chopper blade. The sealed motor consists of o-ring sealed endbells, sealed bearings and a hard durable powder coating to prevent corrosion occurring both internally and externally. A new four-bladed chopper has been added to further reduce the possibility of clogging. The pump still has the Run-Dry feature present in previous models.

- Triple sealed motor to prevent both internal and external motor corrosion.
- New four-bladed chopper reduces clogging.
- Detects the absence of fluid then shuts-off pump before impeller is damaged.
- Sensor provides adequate run-dry period to allow initial priming of the pump.

- Interrupting power supply to the macerator resets the Run-Dry Device.
- Flow rate to 12 gpm (45 lpm).
- Self-priming to 4ft (1.2m) vertical lift.
- Complies with USCG 183.410 and ISO 8846 MARINE (Ignition Protection).

Fitting: Inlet Port: 1½" (38mm) Hose Barb plus 1½" NPT. Inlet Port, RV Model:

3" (75mm) Hose Discharge Port:

1" (25mm) Hose Barb.

Size: 11¾" long x 4¾" wide x 3⅝" high (29cm x 12cm x 9cm).

RV model is only 8⅞" (21cm) long.

Weight: 5lb (2.3kg).

18590-2092 12 volt DC Pump, Marine model.

18590-2094 24 volt DC Pump, Marine model.

For service and spare parts listing see [page 212](#).



AC Macerator Pump

The AC Macerator is similar to the DC models. It is ideal for heavy-duty commercial applications where mains power is available.

- Flow rate to 14 gpm (53 lpm).
- Thermal-overload protected motor.
- Includes convenient carrying handle.
- Self priming to 4ft (1.2m).

Fitting: Inlet Port: 1½" (38mm) Hose Barb plus 1½" NPT. Discharge Port: 1" Hose Barb.

Size: 14⅞" long x 7⅞" wide x 8" high.

Weight: 18690-Series 19lb (8.6kg).

22130-Series 24lb (10.7kg).

Suitable for North America.

18690-0000 115V AC Marine model.*

Suitable for Europe.

22130-2721 110/230V 50/50Hz Marine*.

For service and spare parts listing see [page 212](#).

*Products marked do not comply with European legislation.

WARNING

Explosion hazard.

Pumps with AC motors can spark. Explosion and death can occur. Do not use where flammable vapors are present.



Tanks & Accessories

JABSCO

2



Toilet Pumpgard™

The Pumpgard™ protects manual or electric toilets from pump malfunctions caused by debris.

- Simply installed in ¾" (19mm) ID inlet hose.
- Transparent housing allows instant inspection.
- Screw off top allows quick in place cleaning and removal of debris.

Fitting: Connections for ¾" (19mm) ID hose.

Size: 4¾" long x 2¾" wide x 2½" high (12cm x 7cm x 6cm).

46400-0000 Toilet Pumpgard™.

18753-0040 Replacement 40# Mesh Filter.

Digital Holding Tank Management System



The new digital holding tank management systems are NEW additions to Jabsco's waste system portfolio. Building on the success of the Waste Management System Jabsco have launched the sensing technology and the pump control system as a stand alone kit making it easy for an OEM to use these kits on their current tank vendors product or for an End User to install on an existing tank. All the same features and benefits of the waste management system are still present in these stand alone kits and are listed below; the kits come in 12v or 24v and can be supplied without a pump, with a macerator pump or the Jabsco Waste Diaphragm Pump.

- External sensors for fast and accurate level sensing eliminating the possibility of clogging.
- Touch Pad control includes pump activation control with auto shut off – the activation feature has 3 second delay to avoid accidental operation.

- Illuminated level indication showing 8 level increments to full.
- Unit can be put into sleep mode so illuminated LED's do not create a disturbance.

Sensor, Display and Control System (pump not included).

Kit Contains:

- Touch Pad Display with Pump Control and Level Indication.
- 8 x Sensor Array.
- System Junction Box with plug and play waterproof connections.

- 15ft (4.5m) Control Panel Cable with waterproof connector included.

- Pump Cable with waterproof connector included.

Size: 12 x 6.5 x 3 inches.

Weight: 5lbs.

38210-0012 12 volt DC.

38210-0024 24 volt DC.

Sensor, Display and Control System with 18590 Macerator Pump included.

Kit Contains:

- All components from 38210-Series Kit
- 18590-Series Macerator Pump

Size: 13.75 x 9.75 x 7 inches.

Weight: 11lbs.

38220-0012 12 volt DC.

38220-0024 24 volt DC.

Sensor, Display and Control System with 50890 Waste Pump included.

Kit Contains:

- All components from 38210-Series Kit.
- 50890-Series Waste Diaphragm Pump.

Size: 14 x 9.75 x 8 inches.

Weight: 12lbs.

38230-0012 12 volt DC.

38230-0024 24 volt DC.

Tanks & Accessories



Waste Management System

Jabsco's NEW Type 3 Waste Management System provides an easy-to-install, all-inclusive solution consisting of a compact polyethylene holding tank and an integral Run-Dry Macerator Pump. The system has a touch-pad control panel to monitor waste levels and when required the user can activate the macerator pump to evacuate waste.

- External linear sensor for fast and accurate level sensing.
- Rugged 7.5 gallon (38 liter) polyethylene holding tank.
- Integral Run-Dry Macerator Waste Pump mounted on the tank.
- Touch-pad includes macerator activation control with auto shut-off - the activation feature has 3 second delay to avoid accidental operation.
- Illuminated level indication showing 8 level increments to full.
- Unit can be put into Sleep mode so illuminated LED's do not create a disturbance.

Fitting: Inlet port 1 1/2" (38mm) hose barb.
Dockside evacuation port:
1 1/2" (38mm) hose barb.
Vent connection:
3/4" (19mm) hose barb.

Weight: 24lb (11kg).

Size: 14" long x 18" deep x 12" high
(36cm x 47cm x 31cm).

38110-0092 12 volt DC Pump, fuse 16 amp.

38110-0094 24 volt DC Pump, fuse 8 amp.



Y-Valve

Robust Y-Valve for use in toilet applications. Allows waste to be pumped overboard or into a holding tank.

- Rotating ports allow for variable routing of hoses onto the valve.
- Can be operated through bulkhead by use of optional handle extension.
- Can be padlocked so that waste can only go to the holding tank to comply with some local regulations (padlock not included).
- Waste and corrosion resistant construction throughout.

Fitting: Connections for both 1 1/2" (38mm) ports and 1" (25mm) inlet port.

Size: 7 5/8" long x 7 1/4" wide x 4 5/8" high
(20cm x 19cm x 12cm).

Weight: 2lb (0.9kg).

45490-1000 Y Valve.

45500-1000 Handle Extension Kit.

45488-0000 Service Kit.

45493-0000 Replacement Handle.

18753-0661 Replacement Ports Kit.

Padlock
NOT included



Introduction



Pressure Controlled Diaphragm Pumps

Pressure controlled diaphragm pumps provide boat owners with a fresh water system that is as easy to use as their domestic water supply - with the versatility to offer full flow or a trickle. The pump is controlled by a switch which senses the pressure drop when a faucet is opened and activates the pump; it turns off when the system pressure builds to a pre-set limit as the faucet is closed. This system allows any type of faucet or shower valve to be fitted, from 3/8" (10mm) bore for minimum water use to 1/2" (13mm) bore for maximum flow. Choosing the pump for your needs is simple - just check your system size and the number of outlets you need to operate simultaneously and select the appropriate pump. Diaphragm pumps are self-priming, quiet in operation and can run dry for extended periods.

It is always best to turn the pump off and then open a tap to de-pressurize the system when you are not using the boat as this will prolong pump life.



Accumulator Tanks

Accumulator tanks hold a reservoir of air and water down stream from the pump. The air acts as a cushion, absorbing pump and pressure fluctuations, smoothing the flow and making the system quieter. Accumulators allow the pump to reach shut-off pressure more smoothly which reduces the on/off cycle which gives better control of hot water delivery.

Our accumulator tanks all have a bladder that separates water from air. The bladder is pre-pressurised but may need fine tuning when installed to give the most efficient performance. One of the advantages of an accumulator tank is that they can dispense up to half of their capacity of water even when the pump is switched off. So the bigger the reservoir, the more water you have available without having to switch the pump on helping you wash your hands or clean your teeth without noise.



Water Pressure Regulators

Inlet water regulators are designed to protect your boat water system plumbing and fixtures from the possible high pressure of municipal water systems. Regulation is controlled at all flow rates by a pre-set spring and removable strainer traps debris. Both inline portable and permanent flush mount models are available in our new line of diaphragm sealed regulators.

It probably goes without saying that many Jabsco pumps have more than one possible application. Sometimes it is a simple matter of installing the standard product in the different application. Sometimes Jabsco needs to develop the standard product to meet the particular needs of the different application.



Washdown Pumps

Washdown pumps are a development of our Water Pressure System pumps. Higher shut-off pressure switches prevent on/off cycling while salt water compatible trigger nozzles let you blast off mud and dirt, and then rinse down.



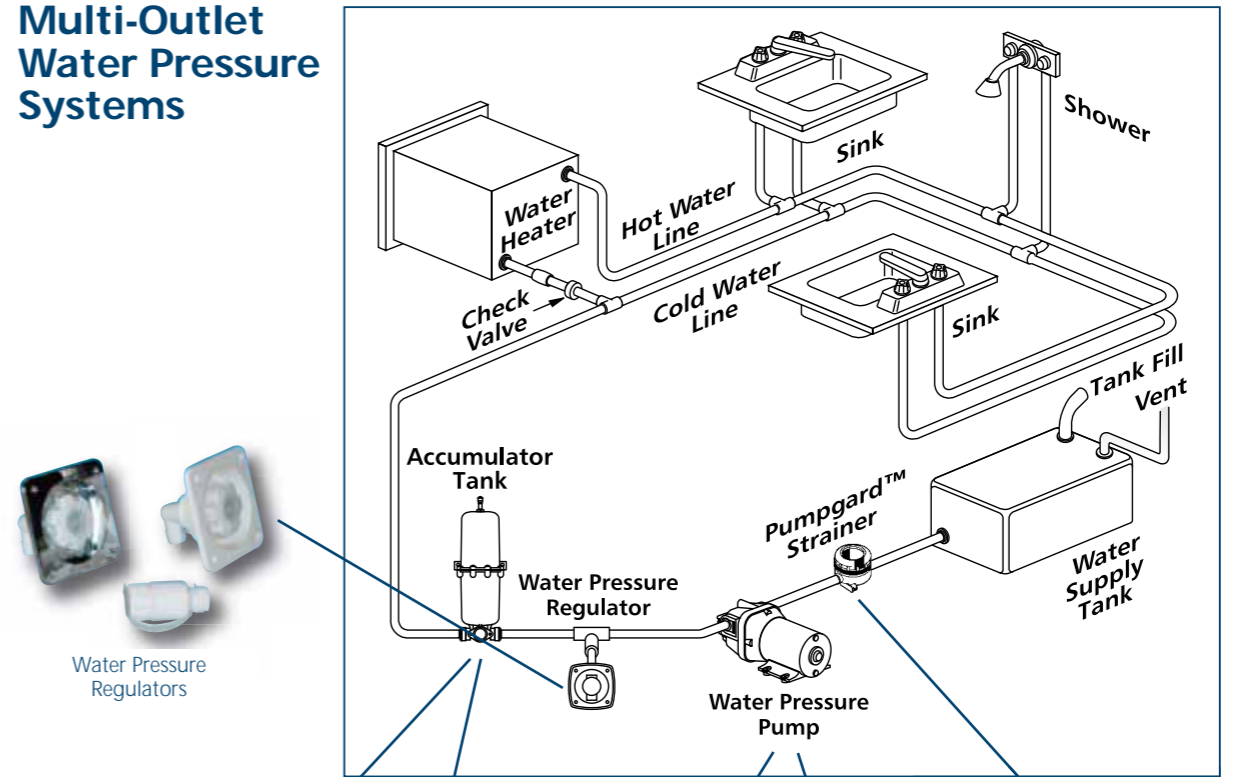
Pumpgard™ Strainers

Inlet Strainers are an essential part of any fresh water system using a diaphragm pump - protecting the valves from small particles in the water. Our Pumpgards™ have been designed for easy installation and rapid filter screen cleaning having a transparent bowl that screws off to allow simple, regular inspection.

Introduction



Multi-Outlet Water Pressure Systems



PAR-Max 1, 1.9, 2.9, 3 or 4



Sensor Max VSD, Ultra Max, Dual Max VSD, 3 Chamber

Automatic Pressure Controlled Pumps



Sensor Max™ VSD Constant Pressure Water System Pumps



Sensor Max™ 14



Sensor Max™ 17

3 YEAR WARRANTY

Pressure sensor controlled, multi-outlet water pressure pumps, with variable speed drive, serving 1-5 outlets. Motor speed is electronically controlled to maintain steady flow and constant pressure. Sensor Max™ VSD accepts from 10 to 29 volt DC for use with 12 or 24 volt DC power. Amp draw reduces as flow reduces to conserve energy, ranging from less than 1 amp to a maximum of 15 amps.

- Unique constant water pressure - NO pressure switch.
- Electronically controlled variable flow.
- Up to 4.5 gpm (17 lpm) output.
- Self-priming up to 10ft (3m).
- Gives constant flow and hot water mix.
- Eliminates accumulator tank.
- Runs silently under normal use.
- Automatically adjusts to 12 Volt dc or 24 Volt dc power input.
- Conserves battery power - uses lower amps at lower flow.
- True sensor regulated water pressure.
- Thermal overload protection automatically stops motor should it overheat due to overload, with auto re-start feature.
- Diaphragm design allows extended dry running.
- Complies with USCG 183.410 and ISO 8846 MARINE (Ignition Protection).
- Pumpgard™ Strainer included

Fitting: Connections for 1/2" (13mm) ID hose or 1/2" Qest threads.

Size: 31750 - 9.0" long x 6.3" wide x 3.75" high (22cm x 16cm x 9.5cm).
31755 - 10.3" long x 6.3" high x 3.75" high (25.2cm x 16cm high x 9.5cm).

Weight: 31750 - 4.3lb (2.0kg).
31755 - 6.3lb (3.0kg).

Flow: 31750 - 0-3.7 gpm (0-14 lpm).
31755 - 0-5 gpm (0-17 lpm).

Running pressure: 31750 - 0000 - 25 psi (1.7 bar).
31750 - 0200 - 20 psi (1.4 bar).
31755 - 0000 - 30 psi (2.1 bar).
31755 - 0200 - 20 psi (1.4 bar).

Shut-off pressure: 31750 - 0000 - 35 psi (2.4 bar).
31750 - 0200 - 25 psi (1.7 bar).
31755 - 0000 - 40 psi (2.8 bar).
31755 - 0200 - 30 psi (2.1 bar).

31750-0000 Sensor Max™ 14, 12-24 volt DC model, fuse 15 amp, high pressure.

31750-0200 Sensor Max™ 14, 12-24 volt DC model, fuse 15 amp, low pressure.

32755-0000 Sensor Max™ 17, 12-24 volt DC model, fuse 15 amp, high pressure.

32755-0200 Sensor Max™ 17, 12-24 volt DC model, fuse 15 amp, low pressure.

18920-9043 Service Kit, all models.

Note: ⚠ Use only low shut-off pressure models with all copper water heating tanks.
⚠ Sensor Max™ VSD pumps **must have** a battery installed.

For service and spare parts listing see [page 198](#).



PAR-Max 1

Miniature multi outlet water pressure pump serves 1 or 2 3/8" (10mm) outlets at any one time. Models include both automatic and manual pumps.

- 1.1 gpm (4.3 lpm) open flow output.
- Self-priming up to 4ft (1.2m).
- Dual diaphragm operation.
- Thermal overload protection automatically stops motor should it overheat due to overload, with auto re-start feature.
- Diaphragm design allows dry running.
- Pressure switch cut-in 22 psi (1.5 bar), cut-out 35 psi (2.4 bar).
- Complies with USCG 183.410 and ISO 8846 MARINE (Ignition Protection).

Fitting: Connections for 3/8" (10mm) ID hose and slip-on 1/2" (13mm) bushings.

Size: 6.4" long x 3.5" wide x 2.3" high (16cm x 9cm x 6cm).

Weight: 1.3 lb (0.6 kg).

42630-2900 12 volt DC model, fuse 4 amp, automatic.

42631-2900 12 volt DC model, fuse 4 amp, manual.

42632-0000 Pump Head Repair Kit.

42634-0000 Pressure Switch Kit.

For service and spare parts listing see [page 197](#).

Automatic Pressure Controlled Pumps



PAR-Max Water System Pumps



PAR-Max 1.9



PAR-Max 2.9



PAR-Max 7.0

3 YEAR WARRANTY

NEW

The PAR-Max 1.9 and 2.9 Water System Pumps are designed for vessels requiring a smooth low flow, 12 or 24 volt DC pump at an attractive low price. These new pumps are internally grounded, three chamber diaphragm on-demand pumps with the performance characteristics to match the needs of a typical vessel with a shower, water heater and up to three faucets. The smaller model offers a smooth flow of up to 1.9 gpm (7.2 lpm), whilst the larger models offer 2.9 gpm (10.9 lpm), all are fitted with a built-in pulsation dampening by-pass to control unwanted cycling and noise. We include quick-connect fittings for ease of pump installation. The NEW PAR-Max 7.0 gpm water pressure system pump provides exceptional flow and consistent water pressure to easily handle the demand of multiple outlets at one time. When onboard appliances are activated, the built in bypass design re-circulates back pressure into the pump to reduce cycling resulting in a quieter and smoother flow.

- Self priming up to 6-10ft (2-3m).
- Dry running.
- Soft rubber mounts.
- Corrosion resistant.
- Complies with ISO 8846 MARINE (Ignition Protection).
- Low noise.
- Less pulsation in the flow.
- Screw-less diaphragm design eliminates possible leak paths.
- Distinctive style.
- Can eliminate the requirement for an accumulator tank.

Fitting: Hose barb or NPT (both supplied).

Size: 31295 - 9" long x 4.5" wide x 4.5" high (23cm x 11cm x 11cm).
31395 - 9" long x 4.5" wide x 4.5" high (23cm x 11cm x 11cm).
52600 - 10" long x 6" wide x 6" high (25cm x 15cm x 15cm).

Weight: 31295 - 3lb (1.4kg).
31395 - 4lb (1.8kg).
52600 - 15lb (6.8kg).

Flow: 31295 - 0-1.9 gpm (0-7.2 lpm).
31395 - 0-2.9 gpm (0-10.9 lpm).
52600 - 0-7.0 gpm (0-26.5 lpm)

- 31295-0092** PAR-Max 1.9, 25 psi (1.7 bar), 12 volt DC model, fuse 10 amp.
- 31295-0094** PAR-Max 1.9, 25 psi (1.7 bar), 24 volt DC model, fuse 6 amp.
- 31395-0092*** PAR-Max 2.9, 50 psi (3.5 bar), 12 volt DC model, fuse 10 amp.
- 31395-0094*** PAR-Max 2.9, 50 psi (3.5 bar), 24 volt DC model, fuse 6 amp.
- 31395-0292** PAR-Max 2.9, 25 psi (1.7 bar), 12 volt DC model, fuse 10 amp.
- 31395-0294** PAR-Max 2.9, 25 psi (1.7 bar), 24 volt DC model, fuse 6 amp.
- 31395-0392** PAR-Max 2.9, 40 psi (2.8 bar), 12 volt DC model, fuse 10 amp.
- 31395-0394** PAR-Max 2.9, 40 psi (2.8 bar), 24 volt DC model, fuse 6 amp.
- 52600-0092** PAR-Max 7.0, 60 psi (4.1 bar), 12 volt DC model, 35 amp draw.
- 52600-0094** PAR-Max 7.0, 60 psi (4.1 bar), 24 volt DC model, 20 amp draw.
- 52600-0292** PAR-Max 7.0, 40 psi (2.7 bar), 12 volt DC model, 30 amp draw.
- 52600-0294** PAR-Max 7.0, 40 psi (2.7 bar), 24 volt DC model, 15 amp draw.

*Not available in Europe.

For service and spare parts listing see [page 194](#).



Automatic Pressure Controlled Pumps



3 YEAR WARRANTY

32600 – Series Automatic Water System Pump

This conventional pressure switch controlled pump enjoys the same pulsation free 3 chamber diaphragm design as our PAR-Max 2.9 & 1.9 but incorporates a heavy duty motor, giving higher flows and long life for such a small footprint. Like all Jabsco water pressure system pumps it is inherently quiet, self-priming and can run dry without damage. Quick-connect fittings are included.

- Powerful 3.5 gpm (13.2 lpm) flow rate.
- Shut off pressures from 25 psi (1.7 bar) to 40 psi (2.8 bar)
- Self priming up to 3m (10ft)

Suitable for Worldwide.

Fitting: 2 x 1/2" Male
Weight: 5.0lb (2.1kg).

- 32600-0092** 12 volt DC model, fuse 15 amp, pressure switch setting 40 psi (2.8 bar).
- 32600-0094** 24 volt DC model, fuse 10 amp, pressure switch setting 40 psi (2.8 bar).
- 32600-0292** 12 volt DC model, fuse 15 amp, pressure switch setting 25 psi (1.7 bar).
- 32600-0294** 24 volt DC model, fuse 10 amp, pressure switch setting 25 psi (1.7 bar).

For service and spare parts listing see page 197.



3 YEAR WARRANTY

PAR-Max 4 Water System Pump

New generation multi outlet water pressure pump serves 4 or more 1/2" (13mm) outlets at any one time. Snap-fit ports simplify both installation and removal for routine service.

- 4.3 gpm (16.3 lpm) open flow output.
- Self-priming up to 10ft (3m).
- Four piston diaphragm sealed for smooth and quiet operation.
- Thermal overload protection automatically stops motor should it overheat due to overload, with auto re-start feature.
- Diaphragm design allows extended dry running.
- Pressure switch cut-in 10 psi (0.7 bar), cut-out 25 psi (1.7 bar), low pressure, or cut-in 20 psi (1.4 bar) cut-out 40 psi (2.8 bar), high pressure.
- Complies with USCG 183.410 and ISO 8846 MARINE (Ignition Protection).

Fitting: Connections for 1/2" (13mm) ID hose or 1/2" Oest threads.

Size: 9.8" long x 4.2" wide x 4.1" high (25cm x 10.6cm x 10cm).

Weight: 6lb (2.7kg).

- 31620-0092** 12 volt DC model, fuse 15 amp, high pressure.
- 31620-0094** 24 volt DC model, fuse 7 amp, high pressure.
- 31620-0292** 12 volt DC model, fuse 15 amp, low pressure.
- 31620-0294** 24 volt DC model, fuse 7 amp, low pressure.
- 31630-0092** 12 volt DC model, fuse 15 amp, high pressure, motor dip coated.
- 18920-9043** Service Kit.

For service and spare parts listing for the pump see page 197.

Photo courtesy of Cruisers Yachts.



Automatic Pressure Controlled Pumps



3 YEAR WARRANTY

Dual Max VSD Water System

The Dual Max VSD combines a smooth flowing VSD Water System Pump with a PAR-Max 4 to provide up to 8 gallons per minute when demand increases. The VSD Pump with its variable speed motor provides smooth even flow as needed for several outlets. If demand exceeds the VSD's normal operating range the PAR-Max 4 kicks in to add enough additional flow to accommodate as many as 7 outlets.

- Unique constant water pressure.
- VSD Pump is electronically controlled for variable flow.
- Self-priming up to 10 feet.
- Constant flow for even hot water mix.

- No need for an accumulator tank.
- Thermal overload protection automatically stops motors if they overheat due to overload, with auto re-start feature.
- Diaphragm design allows extended dry running.
- Complies with USCG 183.410 and ISO 8846 for ignition protection.

Fitting: Connections 1/2" NPT.

Size: 12 1/2" long x 8 1/2" wide x 8 1/8" high (32cm x 22cm x 22cm).

Weight: 13 1/2 lb (6kg).

- 31765-0092** 12 volt DC model.
- 31765-0094** 24 volt DC model.

For service and spare parts listing for the pump see page 198.



3 YEAR WARRANTY

Ultra Max Water Pressure Set

A fully assembled pressure set that simplifies the installation of water pressure systems for both the professional and amateur installer. The set consists of a PAR-Max 3 pump, strainer and pre-pressurized accumulator tank with quick connect electrical connections on a rubber mounted board. Serves 3 or more 1/2" (13mm) outlets.

- Flow of 3.5 gpm (13.2 lpm).
- Self-priming up to 10ft (3m).
- Can be installed vertically or horizontally.
- Quadruple diaphragms for smooth and quiet operation.
- Thermal overload protection automatically stops motor should it overheat due to overload, with auto re-start feature.
- Diaphragm design allows extended dry running.
- Low pressure switch cut-in 10 psi (0.7bar), cut-out 20 psi (1.4 bar).

- High pressure switch cut-in 20 psi (1.4 bar), cut-out 40 psi (2.8 bar).

- Maintenance free potable water quality accumulator tank.

- Complies with USCG 183.410 and ISO 8846 MARINE (Ignition Protection).

Fitting: Connections for 1/2" (13mm) ID hose or 1/2" (15mm) Oest fittings.

Size: 15 1/2" long x 15 3/4" wide x 5 1/2" high (39cm x 40cm x 14cm).

Weight: 6.6lb (3kg).

- 59451-0012** 12 volt DC model, fuse 10 amp, low pressure version.
- 59451-0024** 24 volt DC model, fuse 6 amp, low pressure version.
- 59451-1012** 12 volt DC model, fuse 10 amp, high pressure version.
- 59451-1024** 24 volt DC model, fuse 6 amp, high pressure version.

For service and spare parts listing for the pump see page 197.

Aqua Filta™

Aqua Filta adsorbs dissolved impurities fresh-ening and cleansing water to make it natural tasting, sweet smelling and crystal clear.

- Screw-on cartridge is replaced annually or sooner if necessary, at half the cost of replacement filters.
- Over 200g of silver impregnated activated carbon.
- Beneficial mineral salts are retained.
- Ports accept fitment to either 13mm (1/2") ID hose or 1/2" screw-in fittings for polybutylene or copper plumbing.
- Initial flow capacity up to 14 lpm (3.7 gpm).
- Tough moulded components give ample pressure capability, up to 4.2 bar (60 psi).

Fitting: Connections for 13mm (1/2") ID hose, 15mm Hep20 and Acorn fittings, 15mm John Guest speedfit and Whale system 15 fittings and 1/2" BSP female threaded fittings.

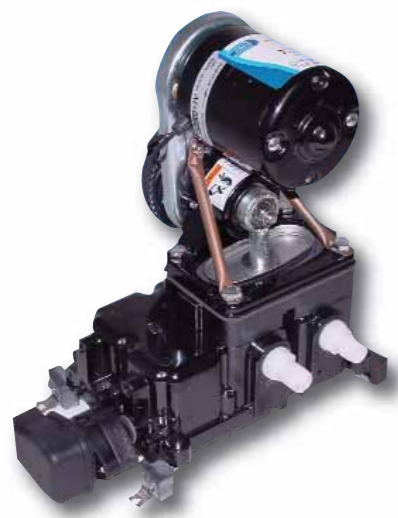
Size: 23cm high x 14cm deep x 10cm wide (9" x 5 1/2" x 4").

Weight: 500g (1.1lb).

- 59000-1000** Aqua Filta.
- 59100-0000** Replacement Filter Cartridge.



Automatic Pressure Controlled Pumps



PAR 36900 Water Pressure Pump

This well established and service proven pump will serve up to 5 outlets simultaneously and generously.

- 4.2 gpm (16 lpm) open flow output.
- Self-priming up to 5ft (1.5m) vertical lift.
- Belt driven for quieter running and longer life.
- Diaphragm design allows extended dry running.
- Low pressure switch cut-in 10 psi (0.7bar), cut-out 20 psi (0.7 bar).
- High pressure switch cut-in 20 psi (1.4 bar), cut-out 40 psi (2.8 bar).
- Complies with USCG 183.410 and ISO 8846 MARINE (Ignition Protection).

Fitting: Connections for 1/2"-5/8" (13-16mm) ID hose.

Size: 9 7/8" long x 6 1/2" wide x 10 1/8" high (25.1cm x 16.5cm x 25.8cm).

Weight: 12lb (5.4kg).

36900-0200 12 volt DC model, fuse 15 amp, low pressure version.

36900-0210 24 volt DC model, fuse 5 amp, low pressure version.

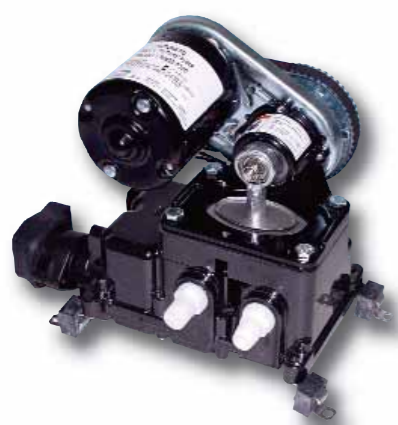
36900-1000 12 volt DC model, fuse 15 amp, high pressure version.

36900-1010 24 volt DC model, fuse 5 amp, high pressure version.

30121-0000 Service Kit.

For service and spare parts listing see [page 192](#).

Low pressure version not available in the USA.



PAR 36800 Water Pressure Pump

This well established and service proven pump will serve up to 4 outlets simultaneously and generously.

- 3.3 gpm (12.5 lpm) open flow output.
- Self-priming and all other benefits as PAR 36900 above.
- Low pressure switch cut-in 10 psi (0.7 bar), cut-out 20 psi (1.4 bar).
- High pressure switch cut-in 20 psi (1.4 bar), cut-out 40 psi (2.8 bar).
- Complies with USCG 183.410 and ISO 8846 MARINE (Ignition Protection).

Fitting: Connections for 1/2"-5/8" (13-16mm) ID hose.

Size: 9 7/8" long x 6 1/2" wide x 8 3/8" high (25.1cm x 16.5cm x 21.3cm).

Weight: 11lb (5kg).

36800-0200 12 volt DC model, fuse 8 amp, low pressure version.

36800-0210 24 volt DC model, fuse 4 amp, low pressure version.

36800-1000 12 volt DC model, fuse 8 amp, high pressure version.

36800-1010 24 volt DC model, fuse 4 amp, high pressure version.

30122-0000 Service Kit.

For service and spare parts listing see [page 192](#).

Low pressure version not available in the USA.



PAR 36950 Water Pressure Pump

This very popular service proven pump serves up to 4 outlets simultaneously and generously.

- 3 gpm (11.4 lpm) open flow output.
- Self-priming and all other benefits as PAR 36900 above.
- Low pressure switch cut-in 10 psi (0.7 bar), cut-out 20 psi (1.4 bar).
- High pressure switch cut-in 20 psi (1.4 bar), cut-out 40 psi (2.8 bar).
- Complies with USCG 183.410 and ISO 8846 MARINE (Ignition Protection).

Fitting: Connections for 1/2"-5/8" (13-16mm) ID hose.

Size: 7 1/2" long x 6 1/2" wide x 8 1/2" high (19.1cm x 22cm x 21.6cm).

Weight: 11lb (5kg).

36950-2000 12 volt DC model, fuse 8 amp, high pressure version.

36950-2010 24 volt DC model, fuse 4 amp, high pressure version.

36950-2200 12 volt DC model, fuse 8 amp, low pressure version.

36950-2210 24 volt DC model, fuse 4 amp, low pressure version.

43990-0061 Service Kit.

For service and spare parts listing see [page 192](#).

Low pressure version not available in the USA.

Pumps & Accessories

Water Pressure Regulators



Water Pressure Regulators protect your boat's water system from damaging pressures of unregulated city water hook-ups. Available in two models - permanently installed flush mount or in-line. Both feature brass GHT fittings for potable garden hose connection.

- Limits inlet water pressure to 45 psi (3.1 bar).
- Maintains regulated pressure at various flow rates.
- Compact in-line model only 3" (77mm) long.
- Flush model has unique swivel elbow output.
- Manufactured of food-grade materials.
- Meets all applicable codes and approvals.
- Removable strainer protects plumbing.

Fitting: Flush connections for 3/4" GHT (f) inlet and 1/2"-14 pipe outlet.
In-line connections 3/4" GHT (f) inlet and 3/4" GHT (m) outlet.

Flush size: 3 1/2" deep x 4 3/8" high x 4 3/8" wide (88mm x 133mm x 133mm).

In-line size: 3" long x 1 1/2" diameter (7.7cm x 3.9cm).

Weight: Flush 0.41lb (0.2 kg).
In-line 0.2lb (0.1kg).

- 44411-0045** In-line, White 45 psi (3.1 bar).
- 44411-1045** Flush, White 45 psi (3.1 bar) - 90 degree threaded outlet.
- 44411-2045** Flush, Chrome 45 psi (3.1 bar) - 90 degree threaded outlet.
- 44412-1045** Flush, White 45 psi (3.1 bar) - regulator outlet accepts snap-fit port fittings.
- 44412-2045** Flush, Chrome 45 psi (3.1 bar) - regulator outlet accepts snap-fit port fittings.

Water System Pumpgard™ Strainer



Inlet strainer protects all electric diaphragm pumps.

- Prevents unnecessary pump breakdowns caused by particles in the water.
- Transparent housing allows instant inspection.
- Quick, in-place, cleaning of the 40 mesh stainless steel screen.

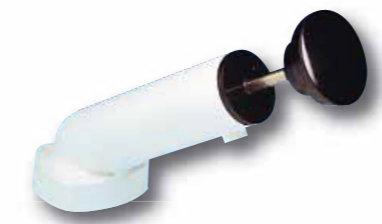
Fitting: Choose connections for 3/8", 1/2", 3/4" (13mm) ID hose, or 1/2"-14 pipe.

Size: 4 3/4" long x 2 3/4" wide x 2 1/2" high (12cm x 7cm x 6cm).

- 46400-0000** 3/8" (19mm) ID hose x 3/4" (19mm) ID hose.
- 46400-0002** Model for 1/2" (13mm) ID hose.

- 46400-0003** 3/8" (10mm) ID hose x 3/8" (10mm) ID hose.
- 46400-0004** Model for 1/2"-14 pipe threads.
- 46400-0010** 3/4" (19mm) ID hose x plug-in 90 degree.
- 46400-0012** Model for 1/2" (13mm) hose inlet 90 degree and direct plug into PAR-Max inlet port.
- 46400-0014** Model for 1/2"-14 pipe inlet 90° and direct plug into PAR-Max inlet port.
- 46400-0375** 3/8" NPT (F) x 3/8" NPT (F).
- 46400-9500** Model for snap in 90° outlet fitting (quad+quad).
- 18753-0040** Replacement 40# Mesh Filter.

Topsider Galley Pump



An economical galley or head hand pump.

- Simple countertop mounting.
- Smooth, convenient angled stroke.
- Instant self-priming.

Fitting: Connections for 1/2" (13mm) ID hose.

Size: 3 1/8" long x 1 1/4" wide x 2 3/8" high (8cm x 3cm x 6cm).

Weight: 1lb (0.5kg).

- 37220-1010** Topsider Hand Pump.

Electric Galley Pump and Faucet



The economical answer to running water at the push of a button.

- 1 gpm (4 lpm).
- Available with or without faucet with stainless steel swing spout.
- Pump must be installed in flooded suction position.
- On/off switch is built into the faucet base.

Fitting: Connections for 3/8" (10mm) ID hose.

Size: 4 1/2" long x 2 1/2" wide x 1 3/4" high (11.4cm x 6.4cm x 4.5cm).

- Weight:** 1lb (0.5kg).
- 42510-0000** Pump only, 12 volt DC, fuse 3 amp.
- 42520-0000** Faucet only.
- 42530-0000** Pump & Faucet, 12 volt DC, fuse 3 amp.

Accumulator Tanks & Check Valve



21 oz (0.6 Litre) Tank (above)

1 Quart (1 Litre) Tank (right)

Pressurized Accumulator Tanks

Improves all pressure controlled water systems. Our new compact 21 oz (0.6 Liter) accumulator tank fits into those tight areas, and performs all of the same functions as our 1 Quart model (1 Liter), but in a smaller package.

- Smoother flow, quieter water systems.
- Internal rubber membrane eliminates maintenance and allows universal mounting.
- Better control of hot water temperatures.
- Simply fitted to new or existing systems.
- Longer pump life, lower battery drain.
- Snap-in port fittings.

Fitting: Connections for 1/2" (13mm) ID hose, optional ports available, see below.
Size: 21oz (0.6 liter) - 4 3/8" deep x 4 3/4" wide x 7" high (11cm x 12cm x 18cm).
 1 Quart (1 liter) - 4 3/8" deep x 4 3/4" wide x 13 1/4" high (11cm x 12cm x 34cm).
Weight: 21oz (0.6 liter) - 1lb (0.45kg).
 1 Quart (1 liter) - 1.6lb (0.7kg).

- 30573-0003** NEW! Pressurized 21oz (0.6 Liter) Accumulator Tank.
- 30573-0000** Pressurized 1 Quart (1 Liter) Accumulator Tank
- 30653-0000** Snap-in port fittings for 1/2" (12.5 mm) ID hose.
- 30649-0000** Snap-in port fittings for 1/2"-14 pipe.
- 30649-1000** Snap-in port fittings for 1/2" female threads.

Larger Pressurized Accumulator Tanks



Smooth flow from faucets and showers, reduce pump cycling, eliminate pulsations and water hammer.

- Can be mounted vertically or horizontally.
- Water is totally separated from air chamber by a rubber bladder.
- All models include mounting brackets

18810-0000 (US supply)

- 2 gallon tank NSF-61 listed.
- 100 psi (6.9 bar) Max. working pressure, pre-pressurized to 20 psi (1.4 bar).
- Connection for 3/4" NPT male thread.
- 8" dia. x 12 5/8" high (20cm x 32cm).

23240-2000 (European supply)

- 8 liter (1 3/4 gal) volume.
- 3.4 bar (50 psi) Max. working pressure.
- Connection for 3/4" BSP Female thread.
- 22cm dia. x 33cm high (8 1/2" x 13").

High Pressure Check Valve



When located at the pump outlet, this high pressure check valve protects your pump from the damaging high pressure of unregulated city water connection. Also may be used at the water heater inlet to prevent back-flow of hot water into the cold water system and pump.

- Protects your pump from high city water pressure.
- Stops hot water migration from water heater inlet.

Fitting: Connections for 1/2" (13mm) ID hose
Size: 1 1/2" (4cm) x 4" (10cm)
Weight: 1/4lb (0.1kg)

34344-0000 High Pressure Check Valve

Not available in Europe

Washdown Pumps



PAR-Max Washdown Pump Kits

Jabco offers boaters several washdown pumps at ideal flow and pressure for washdown. The NEW! PAR-Max 5.0 gpm Washdown model offers pressures up to 50 psi (3.5 bar) with 4 chamber smooth performance running at up to 5 gpm (19 lpm). The NEW! PAR-Max 7.0 gpm Washdown model offers an unbeatable flow rate of up to 7.0 gpm (26.5 lpm) at pressures of up to 80 psi (5.5 bar). Washdown pumps are ideal for cleaning decks, cockpits and anchors on yachts of a range of sizes and can be connected to sea or fresh water. Both NEW units come with an intake strainer, spray nozzle and quickconnect 3/4" hose barb fittings.



- High pressure jet blasts mud and silt from anchor chain and decks.
- Waterproof with sealed motor and sealed pressure switch for mounting in exposed positions.
- Thermal overload protection automatically stops the motor if it overheats.
- Dry running.
- Soft rubber mounts.
- Corrosion resistant.
- Complies with USCG 183.410 and ISO 8846 MARINE (Ignition Protection).
- Supplied complete with Pumpgard™ and trigger nozzle.

Parts for PAR-Max Washdown

(* or ** indicates which model is in the kit)

- 30703-1000** Quick-disconnect nozzle with 3/4" GHT snap-in connector (Suitable for North America)*.
- 30704-1000** Quick-disconnect nozzle attaches permanently to 1/2" hose. (Suitable for Europe)**.
- 46400-0000** Pumpgard™ Strainer (Suitable for North America)*.
- 46400-0002** Pumpgard™ Strainer (Suitable for Europe)**.



Washdown Pumps



PAR-Max 3.0 GPM Washdown Pump Kit

- Powerful 3.0 gpm (11.4 lpm) flow rate.
 - Shut off pressure 50 psi (3.5 bar).
 - Suitable for Marine Washdown.
 - Self priming up to 3m (10ft).
- Fitting:** Connections for 1/2" or 3/4" hose.
Weight: 3.5lb (1.6kg).

Suitable for North America:

- 32305-0092** 12 volt DC model, 10 amp fuse size.
- 32305-0094** 24 volt DC model, 5 amp fuse size.

Suitable for Worldwide:

- 32305-0392** 12 volt DC model, 10 amp fuse size.
- 32305-0394** 24 volt DC model, 5 amp fuse size.
- 32901-0092** 12 volt DC model, 10 amp fuse size.
- 32901-0094** 24 volt DC model, 5 amp fuse size.

For service and spare parts listing see [page 197](#).



PAR-Max 4.0 GPM Washdown Pump Kit

- Powerful 4.0 gpm (15 lpm) flow rate.
 - Shut-off pressure 60 psi (4.3 bar).
 - Suitable for high pressure applications.
 - Self priming up to 10ft (3m).
- Fitting:** Connections for 3/4" (19mm) ID hose.
Size: 7.8" long x 4.0" wide x 4.0" high (20cm x 10cm x 10cm).
Weight: 5lb (2.1kg).

Weight: 5lb (2.1kg).

Suitable for North America:

- 32605-0092** 12 volt DC model, fuse 15 amp.
- 32605-0094** 24 volt DC model, fuse 10 amp.
- 32900-0092** 12 volt DC model with 25ft (7.6m) hose coil.
- 32900-0094** 24 volt DC model with 25ft (7.6m) hose coil.

Suitable for Europe:

- 32605-0392** 12 volt DC model, fuse 15 amp.
- 32605-0394** 24 volt DC model, fuse 10 amp.
- 32900-0092** 12 volt DC model with 25ft (7.6m) hose coil.
- 32900-0094** 24 volt DC model with 25ft (7.6m) hose coil.

For service and spare parts listing see [page 197](#).



32900 Series

PAR-Max 5.0 Washdown Pump Kit

- Powerful 5.0 gpm (18.9 lpm) flow rate.
 - Shut-off pressure 50 psi (3.5 bar).
 - Very heavy duty motor for applications where continuous rating is required.
 - Self priming up to 10ft (3m).
- Fitting:** Connections for 3/4" (19mm) ID hose.
Size: 9.8" long x 4.2" wide x 4.1" high (25cm x 10.6cm x 10cm).
Weight: 6.5lb (3.0kg).

Weight: 6.5lb (3.0kg).

*1/2" connectors included for European versions.

Suitable for North America:

- 32700-0092*** 12 volt DC model, fuse 15 amp.
- 32700-0094*** 24 volt DC model, fuse 7 amp.
- 32700-0392**** 12 volt DC model, fuse 15 amp.
- 32700-0394**** 24 volt DC model, fuse 7 amp.

- 32902-0092** 12 volt DC model, fuse 15 amp.
- 32902-0094** 24 volt DC model, fuse 7 amp.

Suitable for Worldwide:

- 32700-0392** 12 volt DC model, fuse 15 amp.
- 32700-0394** 24 volt DC model, fuse 7 amp.

For service and spare parts listing see [page 197](#).



Washdown & Ballast Pumps



PAR-Max 7.0 GPM Ultra Washdown Pump Kit

Step up to extreme cleaning with this seven gallon per minute, high pressure washdown system. The powerful spray makes cleaning your boat or dock faster and easier than ever. Its robust design will provide many years of reliable service. With complete instructions and an included main breaker, this washdown system can be installed on almost any size boat.

For many years, Jabsco PAR MAX washdown pumps have been the preferred system for cleaning marine vessels, making it an industry standard. That's because all Jabsco products are specifically designed to fit the expressed needs of boat builders and enthusiasts alike.

- Powerful 7.0 gpm (26.5 lpm) flow rate.
- Shut off pressure 80 psi (5.5 bar).
- Pump Body - Glass Fitted Nylon.
- Pump Design - 5 Chamber Diaphragm.
- Suction Lift - Self Priming to 8ft. (2.5m).
- Ports (2) - 3/4" (19mm) Hose Barb (2) - 3/4" (19mm) Hose Barb and Elbow.
- Motor - Permanent Magnet.
- ISO 8846 MARINE (Ignition Protection).

- 52700-0092** 12v DC Model, 28 amp max.
- 52700-0094** 24v DC Model, 14 amp max.



PAR-Max 7.0 GPM Ultra Washdown Pump Kit with Hose

- Powerful 7.0 gpm (26.5 lpm) flow rate.
- Shut off pressure 80 psi (5.5 bar).
- Suitable for Marine Washdown.
- Self priming up to 2.5m (8ft).

Fitting: Connections for 1/2" or 3/4" hose.
Weight: 6.5lb (3.0kg).

Suitable for North America:

- 52900-0092** 12 volt DC model, 28 amp.
- 52900-0094** 24 volt DC model, 14 amp.

For service and spare parts listing see [page 197](#).



Wakeboard and Ski Boat Ballast Pump

Jabsco now offers a Wakeboard and Ski Boat Water Ballasting Pump. These pumps can deliver almost 80 pounds (10 gallons) of water ballast per minute.

- Fills a typical 40 gallon ballast tank in under 5 minutes.
- Reversible to both fill and empty ballast tanks.
- Self-priming and non air-locking.
- Exclusive (Patent pending) Run-dry Protection shuts off pump before impeller is damaged.
- Complies with USCG 183.410 and ISO 8846 MARINE (Ignition Protection).

Fitting: Ports - 1/2" (13mm) NPT internal thread and 1" (25mm) External Hose Barb.

Size: 7 1/8" long x 4 3/4" wide x 3 5/8" high (18cm x 12cm x 9cm).

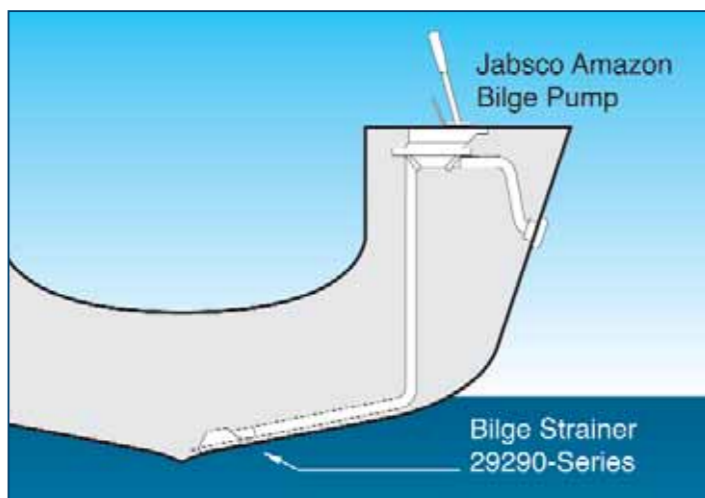
Weight: 6lb (2.7kg).

- 18220-1127** 12 volt Pump with Urethane Impeller.
- 6303-0007** Replacement Impeller.

For service and spare parts listing see [page 185](#).

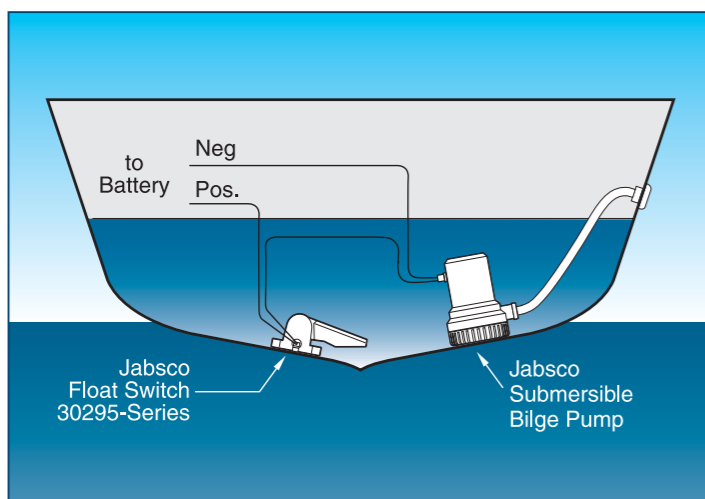


Introduction



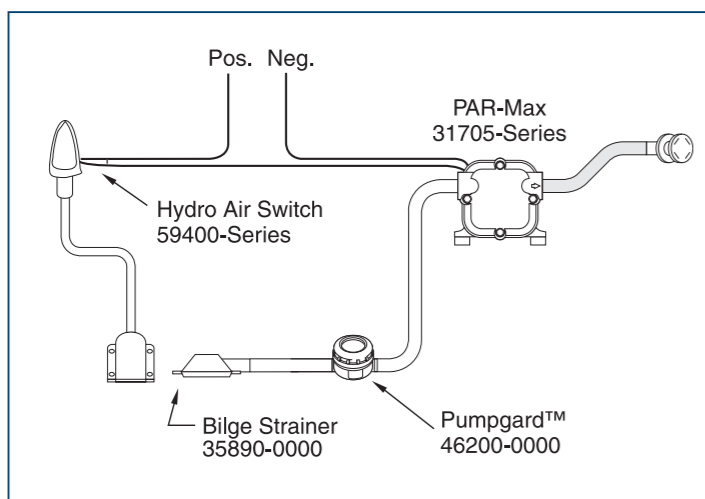
Manual Diaphragm Pumps

These are the traditional mainstay of small craft bilge pumping systems and can offer surprisingly good flow rates, as well as a variety of installation options. Yacht racing rules state that at least one pump must be capable of being pumped from the cockpit with all hatches shut. The best way to accomplish this is with a through deck kit which allows the pump to be installed safely below decks while the operator pumps from above. A well designed manual bilge pump is very hard to block due to its large bore hose and valves and one piece diaphragm. The larger pumps in Jabsco's line of manual bilge pumps are also suitable for ballast and waste transfer.



Electric Submersible Pumps

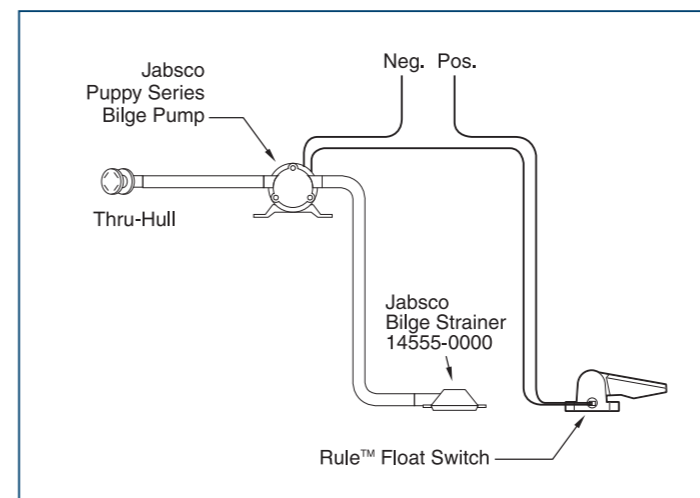
Now by far the most popular type of electric Bilge Pumps, submersibles give very high outputs, are cost effective, have low amp draw and are easy to install. They are designed to fit in the lowest part of the bilge and only require discharge pipe work and electricity supply. However, flow rates decrease more rapidly than other types of pumps as the discharge head increases, so check our recommended maximum discharge heads and if in doubt, always increase the size of the pump. Although our submersibles can be run dry for up to 2 hours, pump life can be extended by avoiding dry running whenever possible. All submersibles can be operated using a float or hydro-air switch, and remotely controlled outside the bilge compartment by using a Jabsco switch panel.



Electric Diaphragm Pumps

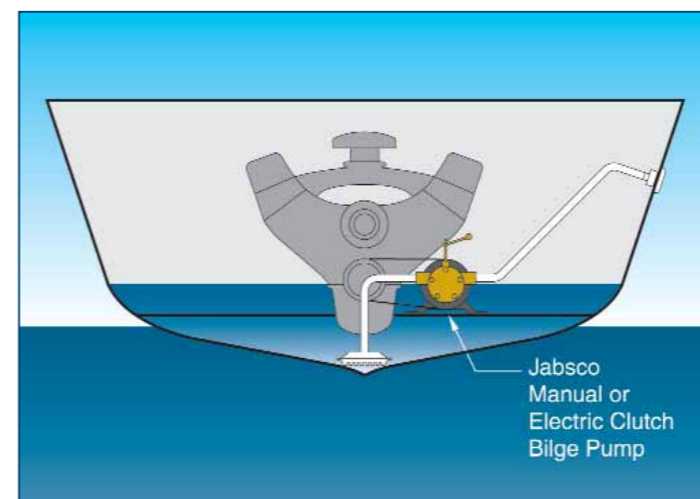
These pumps are excellent for shallow bilge boats where the water left behind by other types of pumps will slop from side to side. With the small size of inlet plumbing they are very effective as bilge pumps, removing all but the last drops of water. Diaphragm pumps can be run dry which removes the need to watch overboard outlets while the pump is running. The ability to self-prime means they can be mounted in an easily accessible high and dry location to simplify installation and improve serviceability. Most models in the line are supplied complete with a Pumpgard™ strainer to protect the pumps from bilge debris.

Introduction



Electric Flexible Impeller Pumps

Flexible Impeller pumps make excellent bilge pumps, principally because of their ability to handle bilge debris without damage. Because of the robust design many owners still use our 12 volt DC or 24 volt DC flexible impeller motor pump units that are up to 25 years old! Flexible Impeller Pumps also give the benefits of good flow, low cost, low size and weight, and are easily serviced and maintained. Most Flexible Impeller pumps must not be run dry, as this will damage the impeller which will require replacing. However, the Utility Puppy 2000 and 3000 both allow a maximum of ten minutes dry running after initial prime. Flexible impeller pumps can be operated using a float or Hydro Air switch, and remotely controlled from outside the bilge compartment. There is a wide range of flexible impeller pumps to choose from giving a range of flows, discharge heads, and self-priming options for a wide variety of applications such as ballast transfer, bait tank circulation, and deck wash duties.



Engine Driven Flexible Impeller Pumps

Jabsco engine driven pumps are probably the strongest and most reliable pumps produced today. Combined with other benefits such as self-priming and very high flow rates, these pumps are now the firm favorites of commercial and professional mariners world wide. All the pumps are easily maintained and can fulfill a variety of duties on board both modern and classic vessels. Jabsco engine driven pumps come in a very wide range of performances and sizes and can be direct driven by either a clutch, pulley, hydraulic drive, or close coupled to a suitable power take off on the engine. These pumps are suitable for applications such as:

- High flow, heavy duty bilge pumps.
- Emergency on board bilge pumps.
- Fire fighting pumps.
- Engine cooling.
- Water ballast transfer.
- Circulation duties.

Of course each application requires different features from each pump and drive type. Either manual or electromagnetic flexible impeller clutch pumps are ideal for bilge pumping. Each type of clutch has different benefits from the other. Manual clutches will operate as long as the engines are still running which provides added security when operating as an emergency bilge pump. Electromagnetic clutches can be operated remotely via float or Hydro Air switches, while fitting a vacuum switch eliminates all risk of dry running damage. However, electromagnetic clutches will only engage as long as electrical power remains available.



WARNING

No pump manufactured by Jabsco should be used for gasoline, petroleum products or any fluid with a flash point below 100°F (38C).

Introduction

Introduction to Rule Bilge Pumps

Rule Submersible Bilge Pumps have set the standard for the industry for decades. They are the first choice of yachtsmen and commercial fishermen throughout the world. More innovations in Bilge Pump design have come from Rule Industries than any other manufacturer and we are proud to offer the broadest range of bilge pumps in the world.

- Exclusive moisture tight seals.
- Anti-Airlock protection
- Compact, efficient, long life motors
- No burn-out when run dry
- Easy clean snap-lock strainer bases
- Stainless steel shafts
- Completely submersible
- Marine grade blocked wiring
- Rust and corrosion protection
- Silent and vibrationless operation
- CE and ISO 8849 certification
- Ignition protection



Introduction



Fully Automated Bilge Pumps

No Float Switch Required. The NEW eco-friendly Rule Mate series of Bilge pumps feature a solid state water sensing technology that eliminates the need for a separate float switch.

When water enters the bilge and reaches a certain height (2 1/4 inches, 70mm), a sensor turns the pump on. After the water is pumped out, another sensor shuts the pump off. The sensor's unique "field effect" technology is eco-friendly because they only sense the dielectric constant of water. In the event of an onboard oil spill, straight motor oil that enters the bilge will not turn the pump on. The result is the most technically advanced and eco-friendly bilge pump available in the marketplace. It's part of Rule's continuing commitment to preserving our navigable waterways. Rule has been building bilge pumps for 30 years. The pumps are preferred by yachtsmen and commercial fishermen the world over.

Features and Benefits:

- All-in-one pump & switch - No float switch required.
- Pump turns on when water level rises & shuts off when water is removed.
- Will not pump oil - Straight motor oil that enters the bilge will not turn the pump on.
- Snap-off strainer for easy cleaning.
- Anti-Fouling Impeller.
- The new Rule Mates are available in 500, 750 and 1100 GPH (1893, 2839 and 4164 LPH) models in 12 and 24 volt versions
- Original Rule Mates are available in 1500 and 2000 GPH in 12 and 24 volt versions
- Limited three year warranty.



Automatic Bilge Pumps

Computerized operation on the principle of impeller resistance. Float switches are not required. The pump will turn on every 2 1/2 minutes for about one second to sense for water. If water is present, the pump will sense resistance and continue to run until all water is removed. Thereafter, it will check for water every 2 1/2 minutes. Power use in the checking mode is minimal.

Features and Benefits:

- No external switch.
- Pump operates automatically by sensing for water.
- Pump turns on every 2 1/2 minutes to feel for water. When water is encountered the pump remains on until water is removed and then pump shuts down. Thereafter it reverts to a 2 1/2 minute sensing mode.
- Sizes: 500, 800, 1100, 1500, 2000, 3700, 4000, 8000 GPH in 12 volt versions
- Limited three year warranty.



Non-Automatic Bilge Pumps

Traditional operation activated by a float switch or panel switch. Rule's Cartridge Series Bilge Pumps have the added feature of replacement motors. This allows you to carry a spare motor, providing an extra level of security and protection. Removal of the motor also allows cleaning of the strainer and impeller area in the event that the pump becomes clogged. Replacement motors are sold separately.

Features and Benefits:

- Pump and switch are stand alone products.
- Compact, efficient, long life motors.
- New mercury free float switches.
- Sizes: 360, 500, 800, 1000, 1100, 1500, 2000, 3700, 4000, 8000 gph in 12 and 24 volt versions.
- Limited three year warranty.



Electric Submersible Pumps



360 G.P.H. (1363 L.P.H.)

The Rule 360 provides outstanding quality and value. It is economically priced and designed for small boats. 3/4" (19mm) discharge outlet. 12 volt DC.

- NON-AUTOMATIC**
24 360 gph (1363 lph).
24-35A 360 gph (1363 lph) Pump with Mercury Free Rule-A-Matic® Float Switch.

Electric Submersible Pumps



800 G.P.H. (3028 L.P.H.)

Rule offers two 800 gph (3028 lph) styles - square and round versions. The square model (20F) offers 36 mounting variations as well as a gas resistant strainer base. 3/4" (19mm) discharge outlet. 12 volts DC unless noted.

- NON-AUTOMATIC**
20F 800 gph (3028 lph) Square.
20R 800 gph (3028 lph) Round.
21R 800 gph (3028 lph) Round (24 volt).
AUTOMATIC
20R-35A 800 gph (3028 lph) Pump with Mercury Free Rule-A-Matic® Plus™ Float Switch.
20RS 800 gph (3028 lph) Round.



500 G.P.H. (1893 L.P.H.)

The Rule 500 offers many design features while keeping size and cost to a minimum. Especially popular on smaller craft, Rule 500 pumps are unmatched in pumping power and longevity. 3/4" (19mm) discharge outlet. 12 volt DC unless noted.

- RULE-MATE®**
RM500A 500 gph (1893 lph) Rule-Mate®
RM500A-24 500 gph (1893 lph) Rule-Mate® (24 volt).
AUTOMATIC
25S 500 gph (1893 lph) Automatic.
25S-24 500 gph (1893 lph) Automatic (24 volt).
25S-6 500 gph (1893 lph) Automatic with 6' (1.8m) leads.
NON-AUTOMATIC
25D 500 gph (1893 lph).
25DC 500 gph Cartridge (1893 lph).
25DC-6 500 gph (1893 lph) with 6' (1.8m) leads.
25-40A 500 gph (1893 lph) with Mercury Free Rule-A-Matic® Plus™ Float Switch.
26D 500 gph (1893 lph) (24 volt).



1000 G.P.H. (3785 L.P.H.)

The Rule 1000 is in a class by itself and is a popular choice among boat builders and boat owners alike. 36 mounting variations and a gas resistant strainer base make this one of Rule's most popular pumps. 1 1/8" (29mm) discharge outlet. 12 volt DC.

- NON-AUTOMATIC**
20A 1000 gph (3785 lph).



1100 G.P.H. (4162 L.P.H.)

The Rule 1100 offers impressive pumping power for its size and cost. Competitive models in this pumping range are much larger and far more expensive. 1" (25mm) and 1 1/8" (29mm) discharge outlet. 12 volt DC unless noted.

- RULE-MATE®**
RM1100A 1100 gph (4162 lph) Rule-Mate®.
RM1100A-24 1100 gph (4162 lph) Rule-Mate® (24 volt).
AUTOMATIC
27S 1100 gph (4162 lph) Automatic.
NON-AUTOMATIC
27D 1100 gph (4162 lph).
27D-6 1100 gph (4162 lph) with 6' (1.8m) wire leads.
27DC 1100 gph (4162 lph) non-automatic (12 volt).
28D 1100 gph (4162 lph) (24 volt).



700/750 G.P.H. (2650/2839 L.P.H.)

Rule's 700 and 750 gph pumps offer increased capacity in keeping with its 3/4" (19mm) discharge outlet. 12 volt DC unless noted.

- RULE-MATE®**
RM750A 750 gph (2839 lph) Rule-Mate®.
RM750A-24 750 gph (2839 lph) Rule-Mate® (24 volt).
NON-AUTOMATIC
20RC 700 gph Cartridge (2650 lph).



1500 G.P.H. (5676 L.P.H.)

High pumping capacity and reliability at a lower cost. The Rule 1500 offers more pumping capacity and more exclusive design features than any comparable competitive pump. 1 1/8" (29mm) discharge outlet. 12 volt DC unless noted.

- RULE-MATE®**
RM1500 1500 gph (5676 lph).
NON-AUTOMATIC
02 1500 gph (5676 lph).
02-6 1500 gph (5676 lph) with 6' (1.8m) wire leads.
03 1500 gph (5676 lph) (24 volt).
GOLD SERIES
04 1500 gph (5676 lph) 5 Year Warranty.
AUTOMATIC
51S 1500 gph (5676 lph).

Electric Submersible Pumps



2000 G.P.H. (7568 L.P.H.)

Engineered to commercial standards. The Rule 2000 is the best selling high capacity submersible bilge pump in the world. 1 1/8" (29mm) discharge outlet. 12 volt DC unless noted.

| | |
|----------------------|--|
| RULE-MATE® | |
| RM2000 | 2000 gph (7568 lph). |
| RM2000-24 | 2000 gph (7568 lph) (24 volts). |
| NON-AUTOMATIC | |
| 10 | 2000 gph (7568 lph). |
| 10-6UL | 2000 gph (7568lph) -UL listed with 6' (1.8m) wire leads. |
| 11 | 2000 gph (7568 lph) (32 volt). |
| 12 | 2000 gph (7568 lph) (24 volt). |
| GOLD SERIES | |
| 09 | 2000 gph (7568 lph) 5 Year Warranty. |
| AUTOMATIC | |
| 53S | 2000 gph (7568 lph) Automatic. |

Electric Submersible Pumps



8000 G.P.H. (30274 L.P.H.)

Our largest capacity submersible pump. Thoughtfully designed, it incorporates two 4000 gph (15137 lph) pumps which discharge through a common 3" (76mm) discharge outlet. Since the two pumps function independently, if one pump fails, the other will continue to operate providing back-up pumping capability. Replacement motor modules available. 12 volt DC unless noted.

| | |
|----------------------|--|
| NON-AUTOMATIC | |
| 174D | 8000 gph (30274 lph). |
| 174D-24 | 8000 gph (30274 lph) (24 volt). |
| 1750D | 8000 gph (30274 lph) Replacement Motor Module (12 volt). |
| AUTOMATIC | |
| 174S | 8000 gph (30274 lph) Automatic. |
| 175S | 8000 gph (30274 lph) Automatic Replacement Motor Module. |



3700 G.P.H. (14002 L.P.H.)

Heavy duty construction for both commercial and pleasure boat use; known for trouble free operation and reliability. 1 1/2" (38mm) discharge outlet. 12 volt DC unless noted.

| | |
|----------------------|--|
| NON-AUTOMATIC | |
| 14A | 3700 gph (14002 lph). |
| 14A-6UL | 3700 gph (14002 lph) -UL listed with 6' (1.8m) wire leads. |
| 15A | 3700 gph (14002 lph) (32 volt). |
| 16A | 3700 gph (14002 lph) (24 volt). |
| GOLD SERIES | |
| 13A | 3700 gph (14002 lph) 5 Year Warranty. |
| AUTOMATIC | |
| 55S | 3700 gph (14002 lph) Automatic. |



PWC Automatic 500 GPH (1893 LPH)

Automatically removes water from engine compartment without the use of a float switch. Cycles every 20 seconds to check for water. Compact design allows it to fit in tight spaces. Easy installation. Equipped with gasoline resistant strainer base and 72" (1.8m) wire leads. 12 volt DC.

25S-PWC



PWC Non-Auto 500 GPH (1893 LPH)

Removes water from engine compartment. Compact design allows it to fit in tight spaces. Easy installation. Equipped with gasoline resistant strainer base and 72" (1.8m) wire leads. 12 volt DC.

25D-6WC



4000 G.P.H. (15137 L.P.H.)

Designed for the toughest applications, the 4000 GPH (15137 LPH) pump optimizes Rule's exclusive design features to produce the highest capacity available for a pump its size. 2" (51mm) discharge outlet. 12 volt DC unless noted.

| | |
|----------------------|---------------------------------|
| NON-AUTOMATIC | |
| 56D | 4000 gph (15137 lph). |
| 56D-24 | 4000 gph (15137 lph) (24 volt). |
| 56D-32 | 4000 gph (15137 lph) (32 volt). |
| AUTOMATIC | |
| 56S | 4000 gph (15137 lph) Automatic. |



PWC Pump On/Off Switch

Water resistant on/off toggle switch for on demand use of Rule Personal Watercraft Pumps.

49PWC

In-Line Submersible Pumps

In-Line Submersible Pumps



NEW

Charge N' Flow Kit

The new Charge N' Flow pump is rechargeable, submersible and is designed for a wide variety of applications, both onboard and ashore. The versatility of the pump along with multiple power options makes it the ideal pump to keep on hand for any situation. Plus, with battery power and two convenient power options, it works wherever you need it.

The Charge n' Flow pump is very compact, only 5.5 inches (140mm) tall and 1.5 inches (38mm) in diameter, and can handle up to 100 gallons of water (379 L) on a single battery charge. When connected to a car battery, it can pump endless amounts of water! It is ideally suited for pumping fresh and sea water or diesel, diesel refueling and transfer, home & garden, plumbing, windshield fluid transfer, camping & kayaking, washdown for cars, RV, anchors and boats, bilge or storm water emptying.

- Pumps fresh water, sea water, diesel and anti-freeze.
- Diesel refuelling and transfer.
- Pumps up to 100 gallons (379 l) per charge.
- All components are enclosed in a convenient carrying case.
- Three power options included - rechargeable battery, with 110v battery charger, car battery clip adaptor and vehicle power adaptor.
- Multiple uses for indoor and outdoor.

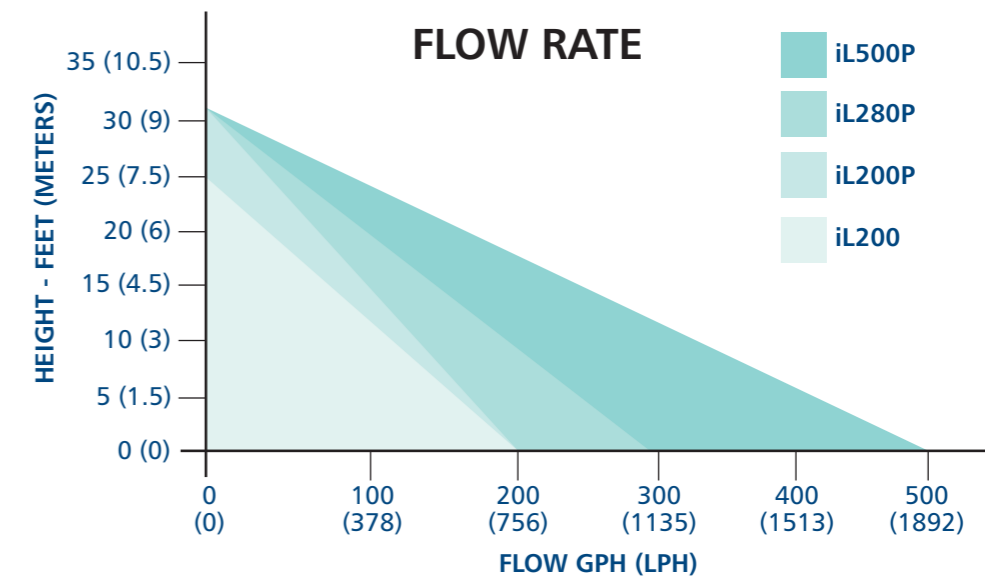
RP280KR 280 gph (1060 lph), 12 volt.

The Charge N' Flow kit comes complete with a 12 volt 280 gph (1060 lph) pump, eight feet (2.4m) of lay flat hose, spray nozzle, enclosed battery, 110v ac battery charger, battery clip adaptor, and a vehicle power adaptor. It also includes a filter for use in submersible mode or when the filter is removed, the pump can be used inline.

Kit Includes:

- Pump with quick disconnect fitting and fuse.
- Battery terminal power adaptor.
- Vehicle power adaptor.
- 8' (2.4m) lay flat hose.
- Spray nozzle.
- Case with integrated battery.
- Battery charger.

Comparison Chart



Specification Table

| Model | iL500Plus | iL280Plus | iL200Plus | iL200 |
|----------------|---|--------------------------------|--------------------------------|----------------------------------|
| Pump Type | Centrifugal submersible and inline pump | | | |
| Current | 12V - 6 amp 24V - 3 amp | 12V - 4.5 amp 24V - 2.5 amp | 12V - 4.5 amp 24V - 2.5 amp | 12V - 2.8 amp |
| Head | 32ft (9.7m) | 32ft (9.7m) | 32ft (9.7m) | 25ft (7.6m) |
| Flow Rate | 500 GPH (1920 LPH) | 280GPH (1080LPH) | 200GPH (760LPH) | 200GPH(760LPH) |
| Rating | Continuously Rated* | Continuously Rated* | Continuously Rated* | Intermittent Rated** |
| Outlets | 3/4" (19mm) ID hose | 1/2" (13mm) ID hose | 1/2" (13mm) ID hose | 3/8" (10mm) & 1/2"(13mm) ID hose |
| Pressure | 14 psi (0.96 bar) | 14 psi (0.96 bar) | 11 psi (0.76 bar) | 14 psi (0.96 bar) |
| Body | Acetal | Acetal | Acetal | Styrene |
| Length | 6.5" (165mm) | 6.5" (165mm) | 5.6" (142mm) | 5.1" (130mm) |
| Diameter | 1.5" (38mm) | 1.5" (38mm) | 1.5" (38mm) | 1.4" (36mm) |
| Cable Length | 13ft (4m) | 13ft (4m) | 3ft (1m) | 3ft (1m) |
| Liquid | Fresh & Seawater / Diesel | Fresh & Seawater / Diesel | Fresh & Seawater / Diesel | Fresh & Seawater |
| Operating Temp | Water systems to176°F (80°C) | Water systems to176°F (80°C) | Water systems to176°F (80°C) | Water systems to140°F (60°C) |

*Should not be run dry for long periods of time.
**Should not be run for more than 20 minutes and rested for equal time.

- Delivers up to 500 gph (1892 lph).
- Pumps fresh and seawater, diesel and anti-freeze.
- Wash down for cars, vehicles, anchors and decks.
- Deck shower.
- Under engine bilge pumping.
- Diesel refueling and transfer.
- Garden watering.
- Container filling and emptying.
- Sink draining.
- Engine winterizing.

iL500P 500 gph (1892 lph), 12 volt
iL500P-24 500 gph (1892 lph), 24 volt.
iL280P 280 gph (1059 lph), 12 volt.
iL280P-24 280 gph (1059 lph), 24 volt.
iL200P 200 gph (756 lph), 12 volt.
iL200P-24 200 gph (756 lph), 24 volt.
iL200* 200 gph (756 lph), 12 volt.

*Not for use with diesel.

Slimline Pumps

Rule has developed a family of compact combination Submersible and Inline pumps and Portable Pump Kits designed for a wide variety of uses, both onboard and ashore. There are four models in the Slimline Series which include strainers for use in submersible mode or, when the filter is removed, for use in the inline pumping mode. These pumps are capable of pumping hot or cold fresh water, seawater, antifreeze and even diesel.

The pumps can be used to pump bilge water from tight spaces, as deck showers, for general wash down, water and diesel transfer or engine winterizing.



Switches - Bilge Pump Control

**Rule-A-Matic® Float Switch**

Year after year, the Rule-A-Matic has been the switch of choice for boaters the world over. Our latest design now includes a removable base for easy cleaning and servicing, a mercury free snap switch tested to over one million cycles and marine grade "blocked" wire. Designed for pumps drawing up to 14 Amps at 12 volt DC. Model 35A and 35FA now includes a 2 year warranty.

- 35A** Rule-A-Matic® float switch, 2¼" x 5" x 1¾" (57 x 127 x 58mm), 12-24v DC, fuse 14 amp (12v), 7 amp (24v).
- 35FA** Rule-A-Matic® float switch with fuse holder.

**Rule-A-Matic® Plus™ Float Switch**

Sleek and rugged, the Rule-A-Matic Plus float switch has a strong, fully integrated and impact resistant cover, which protects against debris and jamming. 14 gauge highly abrasive resistant marine grade wire, and a built-in test feature. Designed for pumps drawing up to 20 amps at 12 volt DC. Model 40A and 40FA now includes a 2 year warranty.

- 40A** Rule-A-Matic® Plus™ float switch, 3" x 5½" x 2½" (76 x 137 x 64mm), 12-24-32v DC, fuse 20amp (12v), 10amp (24v), 6.5amp (32v).
- 40FA** Rule-A-Matic® Plus™ float switch with fuse holder.

**SuperSwitch™ Float Switch**

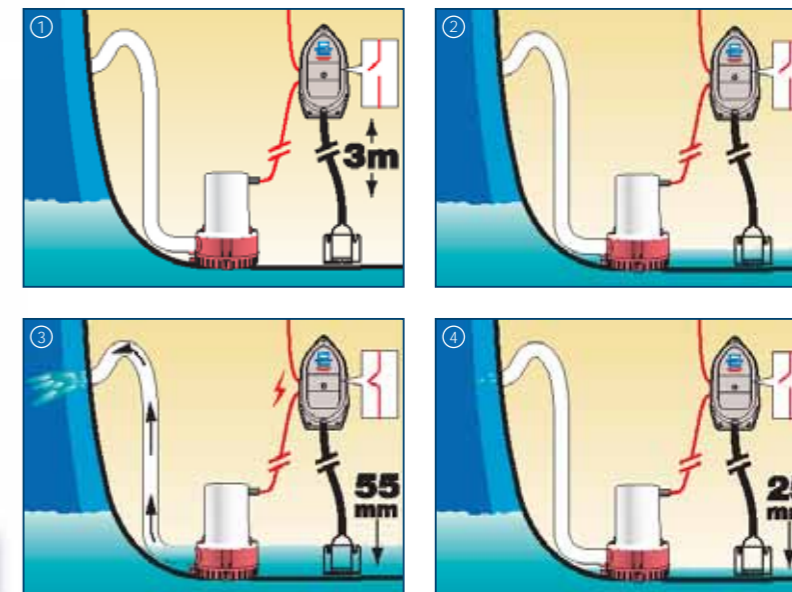
Now backed by a 5 year warranty, the non-mercury SuperSwitch is designed for the toughest applications. Design includes marine grade 14 gauge "blocked wire," larger float for increased buoyancy, removable base for easy servicing and a snap switch design capable of handling pumps drawing up to 20 amps at 12 volt DC.

- 37A** SuperSwitch™ float switch, 2¼" x 5" x 2" (57 x 127 x 51mm), 12-24-32v DC, fuse 20amp (12v), 10amp (24v), 6.5 amp (32v).
- 37FA** SuperSwitch™ float switch with fuse holder.

Switches - Bilge Pump Control

**ECO-Switch**

The Rule ECO-Switch is an ecologically sound automatic bilge pump control switch. Featuring a non-mercury design, the pump operates with simple air pressure. As water rises in the bilge, air rises in the air tube that is attached to the switch. The air pressure activates the switch which controls your pump. All wiring is out of the water and there are no submerged electrical connections at all. Offering complete reliability and outstanding performance, the Rule ECO-Switch offers a viable alternative to traditional float switches. For pumps drawing up to 20 amps.



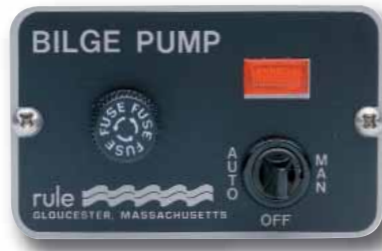
- 39** 1½" x 6" x 2½" (48 x 152 x 70mm), 12v DC, fuse 20 amp.
- 39-24** 1½" x 6" x 2½" (48 x 152 x 70mm), 24v DC, fuse 10 amp.

**High-Water Bilge Alarms**

The High Water Bilge Alarm consists of a float switch and an in-dash gauge that features both a visual and an audible 85 db alarm. This unit allows an unmanned compartment to be constantly monitored. For additional compartments, add additional Rule Float Switches. Complies with CFR 182.530 which requires a visual and audible alarm in each unmanned space on commercial vessels at least 26' (7.9m) in length.

- 33ALA** 12v DC.
- 32ALA** 24v DC.
- 31ALA** 32v DC.
- M-1507** Alarm Only.

Switches - Panel



3-Way Panel Lighted Switch

Controls any pump equipped with an automatic float switch. Toggle has three positions (automatic, off, or manual) and has a "fail safe" spring return to "off" from the "manual" position. Panel is black stainless steel with a red indicator light and fuse holder.

- 41 3¼" x 2" (83 x 51mm), 12v DC, fuse 20 amp.
- 42 3¼" x 2" (83 x 51mm), 24/32v DC, fuse 10 amp (24v), 6.5 amp (32v).



3-Way Panel Switch

Similar to the Lighted Panel Switch but without indicator light or fuse holder. The "manual" position has a "fail-safe" spring return to "off" so you can't leave your pump running by accident. Black stainless steel panel.

- 45 2½" x 2" (57 x 51mm), 12/24/32v DC, fuse 20 amp (12v), 10 amp (24v), 6.5 amp (32v).



3-Way Panel Lighted Rocker Switch

Controls any pump equipped with an automatic float switch. This unit features a black plastic panel, a built-in fuse holder and an internally lighted rocker switch with 3 positions (automatic, off or manual) with the Rule "fail-safe" spring return to "off" from the "manual" position.

- 43 2½" x 2½" (73 x 60mm), 12v DC, fuse 20 amp.
- 44 2½" x 2½" (73 x 60mm), 24/32v DC, fuse 10 amp.



2-Way Panel Switch

Attractive black stainless steel panel highlights your control panel. Simple "on" and "off" toggle provides fingertip control.

- 49 2½" x 2" (57 x 51mm), 12/24/32v DC, fuse 20 amp (12v), 10 amp (24v), 6.5 amp (32v).

Accessories - Hose/Adapters/Fittings



Corrugated White Polyethylene Bilge Hose

All Rule hoses are designed for use with Rule pumps. Sizes up to and including 1½" (38mm) diameter have smooth mounting cuffs every 12" (305mm). Flexible for easy installation and resistant to detergents, oil, gasoline, diesel fuel and salt water.

- 81 ¾" (19mm) ID Hose in 100' (31m) lengths.
- 80 1½" (29mm) ID Hose in 100' (31m) lengths.
- 88 1½" (38mm) ID Hose in 100' (31m) lengths.
- 90 2" (51mm) ID Hose in 50' (15m) lengths.
- 92 3" (76mm) ID Hose in 50' (15m) lengths.



Deluxe PVC Ribbed Bilge Hose

Clear ribbed bilge hose. Smooth inside finish improves pump performance. Rigid helix provides excellent abrasion resistance.

- 82 ¾" (19mm) ID Hose in 100' (31m) lengths.
- 83 1½" (29mm) ID Hose in 100' (31m) lengths.
- 84 1½" (38mm) ID Hose in 100' (31m) lengths.



3-Way Fitting for Bilge Hose

Rule offers convenient "T" and "Y" fittings for popular bilge hose sizes.

- 212 Y Fitting, ¾" (19mm) hose.
- 213 Y Fitting, 1½" (29mm) hose.
- 215 T Fitting, ¾" (19mm) hose.
- 216 T Fitting, 1½" (29mm) hose.

Accessories - Hose/Adapters/Fittings



Adapters

- 63** Bulkhead adapter-adapts 1/2" (38mm) hose to standard garden hose fitting.
- 67** Hose adapter-adapts 1/2" (38mm) outlet to 1/4" (29mm) hose.
- 68** Garden hose adapter-adapts 1/4" (29mm) outlet to standard garden hose fitting.
- 69*** Double stepped straight adapter for adapting 1/2" (29mm) outlet to 3/8" (19mm) or 1/4" (16mm) ID hose.
- 64** Adapter to attach Rule SuperSwitch to Rule 3700 (14002) and 4000 gph (15137 lph) Pumps.
- 65** Adapter to attach Rule SuperSwitch or Rule-A-Matic® mercury free float switch to Rule 1500 (5676), 2000 gph (7568 lph) and 5-Year Pumps.

**Not suitable for use with Rule Mate pumps.*



Thru Hull Fittings

High impact plastic will not rust, corrode or discolor. Specially designed for Rule pumps.

- 59** 1/2" (38mm) straight.
- 60** 1/4" (29mm) straight.
- 61S** 3/8" (19mm) straight.
- 61** 3/8" (19mm) right angle.
- 62** 1/4" (16mm) right angle.
- 72** 2" (51mm) straight.
- 74** 3" (76mm) straight.

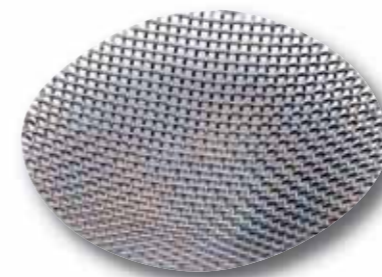


Adapters

90° elbow adapters are designed for rigid pipe installations of Sump and Utility Pumps. Adapters snap onto discharge port. Opposite end is female pipe threaded. High impact plastic will not rust, corrode or discolor. Garden hose adapter snaps onto discharge port converting pump into standard garden hose fitting.

- 57** Adapts 1800 gph (6814 lph) pump to 1" (25mm) NPT.
- 58** Adapts 2800 gph (10596 lph) pump to 1/2" (32mm) NPT.
- 68** Garden Hose Adapter.

Accessories - Hose/Adapters/Fittings



Stainless Steel Debris Strainer

Extra measure of protection for use on round based Rule pumps up to 3700 gph (14010 lph). Installs directly into existing strainer. Filters out excess debris and helps prevent jamming and failure.

70



Universal Pump Adapter

Allows all Rule 360 (1360), 500 (1893), 800 (3028) Round and 1100 gph (4164 lph) pumps to be mounted to competitive bases: Attwood® V-500, Mayfair Proline 500 (1893), 750 (2839), 1000 (3785) and West Marine 500 (1893), 750 (2839) and 1000 gph (3785 lph) models.

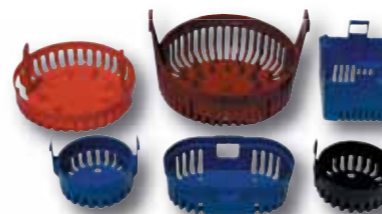
71



Side Mount Brackets

Permits small Rule bilge pumps to be side mounted to a vertical stringer, a bulkhead or a transom. Use this bracket when bottom mounting is inconvenient or impossible. Simply remove the strainer from the pump, put the bracket in place, and reassemble.

- 66** Round pumps from 360 (1363) to 1100 gph (4162 lph).



Replacement Strainer Bases

Original replacement strainer base for your Rule Bilge Pump.

- 275** Round Rule Pumps, 360 to 1100 gph.
- 276** Gas Resistant Strainer Base for above models.
- 277** Square Rule Bilge Pumps.
- 278** Round Rule Pumps, 1500 to 2000 gph.
- 279** Round Rule Pumps, 2800 to 3700 gph.
- 285** Rule-Mate Bilge Pumps, 500 to 1100 gph (Pre 2009 Models).
- 286** Rule-Mate Bilge Pumps, 1500 to 2000 gph.

Amazon Manual Diaphragm Pumps



Amazon Bulkhead

For mounting on bulkhead or deck.

- Repositionable ports and body offer an amazing 96 assembly variations.
- Sustainable 12 gpm (45 lpm) output.
- Self-priming up to 13ft (4m).
- Corrosion resistant materials throughout.
- Stainless steel handle supplied with mounting clips and provision for safety lanyard.

Fitting: Connections for 1" (25mm) ID hose.

Size: 7" wide x 8" deep x 4³/₄" high (18cm x 20cm x 12cm).

Weight: 1.4lb (0.6kg).

29240-0000 Bulkhead Pump, c/w detachable handle.

29246-1000 Service Kit.

For service and spare parts listing see page 199.



Amazon ThruDeck

For mounting through deck or through bulkhead.

- The ultimate compact through deck pump with no less than 16 port variations relative to the body.
- Readily achievable 13 gpm (50 lpm) output.
- Self-priming up to 16ft (5m).
- Loosening just one screw lets you clear blockages or position the body anywhere through 360° relative to the handle position.
- Compact design and low profile allow installation in confined spaces.
- Sleekly styled Through Deck Kit and cover, with 4 mounting positions relative to the pump.
- Excellent solids handling ability for use with holding tanks.

- Corrosion resistant materials throughout.
- Stainless steel handle supplied with mounting clips and provision for safety lanyard.

Fitting: Connections for 1" (25mm) ID hose or 1¹/₂" (38mm) hose.

Size: 10" long x 4⁵/₁₆" wide x 4¹/₂" deep (25cm x 11cm x 12cm).

Weight: 2¹/₂lbs (1.2kg).

29250-0000 1" (25mm) ThruDeck Pump, with detachable handle and Through Deck Kit.

29250-0010 1¹/₂" (38mm) ThruDeck Pump, c/w detachable handle and Through Deck Kit.

29256-1000 Service Kit.

For service and spare parts listing see page 199.



Amazon Universal

For mounting on bulkhead, through bulkhead, on deck or through deck.

- Unique safety feature allows operation from both inside and outside the cabin (with optional Through Deck Kit).
- Flow rate of up to 25 gpm (100 lpm).
- Self-priming up to 10ft (3m).
- Push-fit inlet and outlet elbows swivel through 360° to increase flexibility of installation still further.
- Corrosion resistant materials throughout.
- Quick release clamp ring gives fast access for blockage clearance.
- 1¹/₂" (38mm) ports give excellent solids handling ability for use with holding tanks.

- Stainless steel handle supplied with mounting clips and provision for safety lanyard.

Fitting: Connections for 1¹/₂" (38mm) ID hose.

Size: 9¹/₂" wide x 9¹/₂" high x 6" deep (24cm x 24cm x 15cm).

Weight: 2.9lb (1.2kg).

29270-0000 Universal Pump, with detachable handle and one Push-fit Elbow.

29279-0000 Optional Through Deck Kit.

29266-1000 Additional Push-fit Elbow.

29276-1000 Service Kit.

For service and spare parts listing see page 200.



Bilge Strainers

Stop bilge debris blocking inlet suction hose and reduce the risk of debris entering and blocking the pump.

- Available to suit 3/4", 1" and 1¹/₂" (19mm, 25mm and 38mm) ID hose.
- Non-return valve fitted to stop bilge water draining back when pumping stops.
- Re-positional ports allow horizontal, vertical or sideways hose attachments.
- Easily removable strainer plate for cleaning.
- Corrosion resistant materials throughout.

Fitting: Connections for 3/4", 1" or 1¹/₂" (19mm, 25mm or 38mm) ID hose.

Size: 6³/₄" long x 2³/₄" wide x 2¹/₂" high (17cm x 7.2cm x 6cm).

Weight: 1/4 lb (0.1kg).

29290-1020 Bilge Strainer for 3/4" (19mm) ID hose.

29290-1000 Bilge Strainer for 1" (25mm) ID hose.

29290-1010 Bilge Strainer for 1¹/₂" (38mm) ID hose.

Amazon Manual Diaphragm Pumps

Amazon Warrior

For mounting on deck, or through deck (with optional Through Deck Kit and Bracket).

- Robust design particularly suited to workboats and larger leisure craft, or any installation where particularly heavy duty use is anticipated.
- 29280-0100 Model with swivel arms and captive wheel nuts meets DTI requirements for use on lifeboats.
- 18" (45cm) handle assists sustained high outputs of up to 35 gpm (135 lpm).
- Self-priming up to 17.5ft (5.5m).
- Double diaphragm design gives maximum efficiency, and added safety.
- 1¹/₂" (38mm) ports give large solids handling ability.
- Can function on one diaphragm in an emergency.

- Corrosion resistant materials throughout.

Fitting: Connections for 1¹/₂" (38mm) ID hose.

Size: 14" wide x 9¹/₂" high x 8" deep (35.5cm x 24cm x 20cm).

Weight: 11lbs (4.95kg).

29280-0000 Warrior Pump, with detachable handle.

29280-0100 Warrior Pump, lifeboat version.

29279-0000 Optional Through Deck Kit.

29289-0000 Under Deck Bracket (required for use with Through Deck Kit).

29286-1000 Service Kit.

For service and spare parts listing see page 200.



In-Line Non-Return Valves

Non-return valves fit in a pump's suction hose to aid priming and prevent backflow of water into the bilges.

- Available for three hose sizes - 3/4", 1" and 1¹/₂" (19mm, 25mm and 38mm).
- Simply fit into suction hose.
- Corrosion resistant materials throughout.

Fitting: Connections for 3/4", 1" or 1¹/₂" (19mm, 25mm or 38mm) ID hose.

Size: 4¹/₈" long x 2¹/₈" wide x 2" high (10.8cm x 5.5cm x 5cm).

Weight: 1/4 lb (0.1kg).

29295-1011 In-line non-return valve for 3/4" (19mm) ID hose.

29295-1000 In-line non-return valve for 1" (25mm) ID hose.

29295-1010 In-line non-return valve for 1¹/₂" (38mm) ID hose.



Amazon Mounting Positions

Amazon Bulkhead



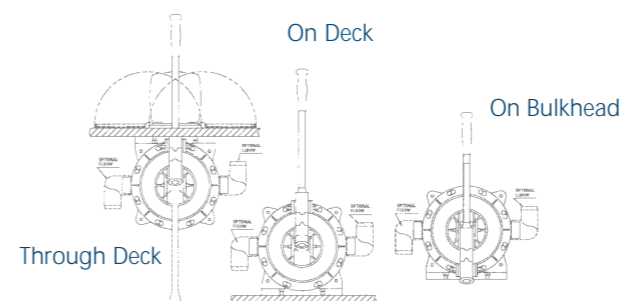
Port Positions

Amazon ThruDeck

360° Rotation

Through Deck

Amazon Universal

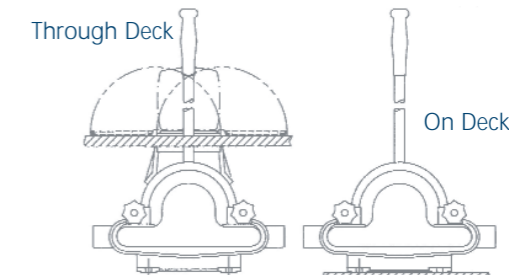


On Deck

On Bulkhead

Through Deck

Amazon Warrior



Through Deck

On Deck

Electric Diaphragm Pumps



50880 Series Bilge Pump

Robust diaphragm pump suitable for bilge applications with a multi-positional pump head.

- 4.2 gpm (16 lpm) open flow output at 3ft (1m) head.
- Self-priming up to 10ft (3m) vertical lift allows mounting above wet bilges.
- Flexible Installation.
- Compact and simple design.
- Filter-less.
- Quiet running.
- Capable of extensive dry running.
- Corrosion resistant parts.

- Complies with USCG 183.410 and ISO 8846 MARINE (Ignition Protection).
 - ISO 8849 MARINE (Bilge Pump Standard).
- Fitting:** Connections for 3/4" (19mm) ID Hose.
- Size:** 11.7" long x 5.9" wide x 4.4" high (29.7cm x 15cm x 11.1cm).
- Weight:** 6lb (2.7kg).
- 50880-1000** 12 volt DC model, fuse 10 amp.
- 50880-1100** 24 volt DC model, fuse 5 amp.
- SK880** Service Kit.

For service and spare parts listing see [page 189](#).



PAR-Max 4 31705

New generation, continuous rated bilge pump with waterproof coating for harsh environments.

- 258 usgph (978 lph) open flow output
- Self-priming up to 10ft (3m) allows mounting above wet bilges.
- Diaphragm design allows extended dry running.
- Build-in thermal overload protection.
- Complete with Pumpgard™ strainer.
- Complies with USCG 183.410 and ISO 8846 MARINE (Ignition Protection).

- ISO 8849 MARINE (Bilge Pump Standard).
- Fitting:** Connections for 3/4" (19mm) ID hose.
- Size:** 7 1/4" long x 4 1/8" wide x 4 1/16" high (18cm x 10.5cm x 10cm).
- Weight:** 5.5lb (2.5kg).
- 31705-0092** 12 volt DC, fuse 10 amp.
- 31705-0094** 24 volt DC, fuse 7 amp.
- 18912-3050** Diaphragm Kit.

For service and spare parts listing see [page 197](#).



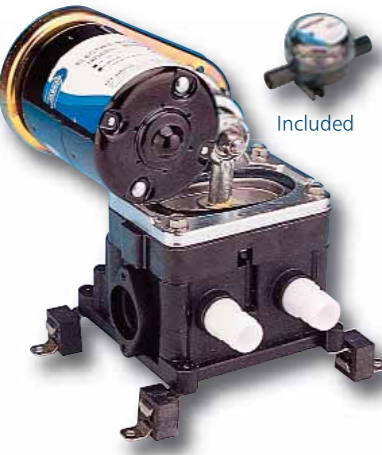
37202 Series 2

Quiet running and corrosion resistant bilge, shower and sink drain pump.

- 200 usgph (780 lph) open flow output.
- Self-priming up to 6ft (2m) vertical lift.
- Diaphragm design allows extended dry running.
- Complete with Pumpgard™ pre-filter.
- Complies with USCG 183.410 and ISO 8846 MARINE (Ignition Protection).
- ISO 8849 MARINE (Bilge Pump Standard).

- Fitting:** Connections for 3/4" (19mm) ID hose.
- Size:** 5 1/4" wide x 5 3/4" high x 7 1/2" deep (13cm x 15cm x 19cm).
- Weight:** 5 1/2 lb (2.5kg).
- 37202-2012** 12 volt DC model, fuse 10 amp.
- 37202-2024** 24 volt DC model, fuse 5 amp.
- 50095-1000** Service Kit.

For service and spare parts listing see [page 188](#).



PAR 36680

Fully serviceable, bilge and deckwash pump.

- 330 usgph (1250 lph) open flow output.
- Self-priming up to 7ft (2m) vertical lift, allows mounting above wet bilges.
- Diaphragm design allows extended dry running.
- Complete with Pumpgard™ strainer.
- Complies with USCG 183.410 and ISO 8846 MARINE (Ignition Protection).
- ISO 8849 MARINE (Bilge Pump Standard).

- Fitting:** Connections for 3/4" (19mm) ID hose.
- Size:** 7 5/8" long x 6 1/2" wide x 8 1/2" high (19.4cm x 16.5cm x 21.6cm).
- Weight:** 8lb (6kg).
- 36680-2000** 12 volt DC model, fuse 10 amp.
- 36680-2010** 24 volt DC model, fuse 6 amp.
- 43990-0062** Service Kit. (new, -2xxx models only).

For service and spare parts listing see [page 191](#).

Electric Diaphragm Pumps



PAR 36600

Fully serviceable, bilge pump.

- 475 usgph (1800 lph) open flow output.
- Self-priming up to 10ft (3m) vertical lift, allows mounting above wet bilges.
- Diaphragm design allows extended dry running.
- Complete with Pumpgard™ strainer.
- Complies with USCG 183.410 and ISO 8846 MARINE (Ignition Protection).
- ISO 8849 MARINE (Bilge Pump Standard).

Fitting: Connections for 3/4" (19mm) ID hose.

Size: 8 5/8" long x 5 7/8" wide x 8 1/4" high (22cm x 15cm x 21cm).

- Weight:** 11lb (5kg).
- 36600-0000** 12 volt DC model, fuse 15 amp.
- 36600-0010** 24 volt DC model, fuse 8 amp.
- 30124-0000** Service Kit.

For service and spare parts listing see [page 193](#).



PAR 34600

Fully serviceable, bilge pump.

- 645 usgph (2450 lph) open flow output.
- Self-priming up to 10ft (3m) vertical lift, allows mounting above wet bilges.
- Diaphragm design allows extended dry running.
- Permanently lubricated ball bearings add to pump life.
- Complies with USCG 183.410 and ISO 8846 MARINE (Ignition Protection).
- ISO 8849 MARINE (Bilge Pump Standard).

Fitting: Connections for 1" (25mm) ID hose.

Size: 9 3/16" long x 8 5/8" wide x 10 1/2" high (23.4cm x 22cm x 26.7cm).

- Weight:** 13lb (6kg).
- 34600-0000** 12 Vvolt DC model, fuse 15 amp.
- 34600-0010** 24 volt DC model, fuse 8 amp.

Requires a Bilge Strainer, see accessories [page 61](#).

- 30101-0000** Service Kit.

For service and spare parts listing see [page 190](#).



Bilge Pumpgard™ Strainer

- Strainer protects all electric diaphragm bilge pumps.
- Prevents unnecessary pump breakdowns caused by particles in the water.
- Transparent housing allows instant inspection.
- 46200-0000 model installs in-line between bilge pick up and pump.
- Quick in-place cleaning of the 20 mesh stainless steel screen.

Fitting: Connections for 3/4" (19mm) ID hose.

Weight: 1/2lb (0.2kg).

Size: 4 3/4" long x 2 3/4" wide x 2 1/2" high (12cm x 7cm x 6cm).

- 46200-0000** Model for 3/4" (19mm) ID Hose.
- 46200-0010** 3/4" (19mm) ID Hose x Plug-in 90 degree.
- 18753-0020** Replacement 20# Mesh Filter.



Bilge Master

Water resistant Master Panel with 3-way switch and front access fuse holder for any automatically controlled 12 or 24 Volt dc electric (or electromagnetic clutch) bilge pump to 30 amps.

- Water resistant switch and fuse holder allows mounting in exposed positions.
- Amber light shows that automatic mode is set, whilst red light shows whenever pump runs.

Size: 3 7/8" wide x 2 3/8" high (10cm x 6cm).

Weight: 1/4lb (0.1kg).

- 29140-0000** Illuminated Switch Panel, for 12 and 24 volt DC up to 30 amps complete with 5, 10, 20 and 30 amp fuses.

Not available in the USA.

Electric Flexible Impeller Pumps



Water Puppy

Continuously rated duty bilge/sump pump.

- 380 usgph (1430 lph) output at 3m (10ft) total head.
- Self-priming up to 4ft (1.2m) vertical lift..
- Simple design means fewer wearing parts - all user serviceable.
- Complies with USCG 183.410 and ISO 8846 MARINE (Ignition Protection).
- ISO 8849 MARINE (Bilge Pump Standard).

Fitting: Connections for 1/2" NPT male threaded fittings, and for 1" (25mm) ID hose.

Size: 6 3/8" long x 4 3/4" wide x 3 1/2" high (16.2cm x 12.1cm x 8.9cm).

Weight: 6 1/2 lb (3kg).

- 18660-0121** 12 volt DC model, fuse 15 amp (Non CE).
- 6303-0001** Replacement Impeller.

For service and spare parts listing see [page 185](#).



Commercial Duty Water Puppy

High flow, continuously rated bilge pump offering good discharge head.

- 470 usgph (1770 lph) output at 10ft (3m) total head.
- Self-priming up to 8ft (2.4m) vertical lift.
- Bilge debris presents no problem to this bronze bodied, flexible impeller design.
- Simple design means fewer wearing parts - all user serviceable.
- Complies with USCG 183.410 and ISO 8846 MARINE (Ignition Protection).
- ISO 8849 MARINE (Bilge Pump Standard).

Fitting: Connections for 1" (25mm) ID hose, or 1/2" NPT male threads.

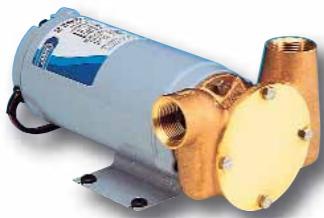
Do not use plumbing of less than 3/4" (19 mm) internal diameter.

Size: 7 1/8" long x 4 3/4" wide x 3 1/2" high (18.1cm x 12.1cm x 8.9cm).

Weight: 8lb (3.6kg).

- 18670-0123** 12 volt DC model, fuse 15 amp (Non CE).
- 18670-0243** 24 volt DC model, fuse 10 amp (Non CE).
- 23680-4003** 12 volt DC model, fuse 15 amp.
- 23680-4103** 24 volt DC model, fuse 10 amp.
- 6303-0003** Replacement Impeller.

For service and spare parts listing see [page 185](#).



Utility Puppy 2000

Continuous rated Utility Puppy 2000 offers high flow for bilge, deck wash and general purpose use, and ten minutes dry running.

- 500 usgph (1920 lph) output at 10ft (3m) total head.
- Dry running for twenty minutes after initial use.
- Self-priming up to 4ft (1.2m) vertical lift.
- Bilge debris presents no problem to this bronze bodied, flexible impeller design.
- Simple design means fewer wearing parts - all user serviceable.
- Complies with USCG 183.410 and ISO 8846 MARINE (Ignition Protection).

- ISO 8849 MARINE (Bilge Pump Standard).

Fitting: Connections for 3/4" male threads.

Size: 7 1/2" long x 4 3/4" wide x 3 1/2" high (19cm x 12cm x 9cm).

Weight: 9.7lb (3.4kg).

- 23920-2403** 12 volt DC BSP model, fuse 15 amp.
- 23920-2503** 24 volt DC BSP model, fuse 10 amp.
- 23920-9403** 12 volt DC NPT model, fuse 15 amp.
- 23920-9503** 24 volt DC NPT model, fuse 10 amp.

For service and spare parts listing see [page 185](#).



Utility Puppy 3000

Continuous rated heavy duty Utility Puppy 3000 offers very high flow for bilge, deck wash and general purpose use, and ten minutes dry running.

- 680 usgph (2580 lph) output at 10ft (3m) total head.
- Dry running for ten minutes after initial use.
- Self-priming up to 8ft (2.4m) vertical lift.
- Mechanical seal for extra long life.
- Bilge debris presents no problem to this bronze bodied, flexible impeller design.
- Simple design means fewer wearing parts - all user serviceable.
- Complies with USCG 183.410 and ISO 8846 MARINE (Ignition Protection).

- ISO 8849 MARINE (Bilge Pump Standard).

Fitting: Connections for 3/4" male threads.

Size: 8 1/2" long x 4 3/4" wide x 3 1/2" high (22cm x 12cm x 9cm).

Weight: 8.2lb (4.0kg).

- 23920-2213** 12 volt DC BSP model, fuse 15 amp.
- 23920-2313** 24 volt DC BSP model, fuse 10 amp.
- 23920-9213** 12 volt DC NPT model, fuse 25 amp.
- 23920-9313** 24 volt DC NPT model, fuse 15 amp.

For service and spare parts listing see [page 185](#).

Electric Flexible Impeller Pumps



Maxi Puppy 3000

High flow, continuously rated bilge pump offering good discharge head.

- 660 usgph (2640 lph) output at 3m (10ft) total head.
- Self-priming up to 8ft (2.4m) vertical lift.
- Bilge debris presents no problem to this bronze bodied, flexible impeller design.
- Simple design means fewer wearing parts - all user serviceable.
- ISO 8846 MARINE (Ignition Protected).
- ISO 8849 MARINE (Bilge Pump Standard).

Fitting: Connections for 1" (25mm) ID hose, or 1/2" BSP male threads. Do not use pipework of less than 19 mm (3/4") internal diameter.

Size: 8 1/2" long x 4 3/4" wide x 3 1/2" high (22cm x 12cm x 9cm).

Weight: 8lb (3.6kg).

- 23610-3003** 12 volt DC model, fuse 20 amp.
- 23610-3103** 24 volt DC model, fuse 10 amp.
- 7273-0003** Replacement Impeller.

For service and spare parts listing see [page 185](#).



Junior Puppy

High discharge head continuously rated bilge pump.

- 225 usgph (900 lph) output at 10ft (3m) total head.
- Self-priming up to 5ft (1.5m) vertical lift.
- Bilge debris presents no problem to this bronze bodied, flexible impeller design.
- Simple design means fewer wearing parts - all user serviceable.
- ISO 8846 MARINE (Ignition Protected).
- ISO 8849 MARINE (Bilge Pump Standard).

Fitting: Connections for 3/8" BSP male threads, or 19mm (3/4") ID hose.

Size: 7 1/8" long x 4 1/4" wide x 3 1/4" high (18cm x 11cm x 9 cm).

Weight: 6.6lb (3kg).

- 23670-4003** 12 volt DC model, fuse 15 amp.
- 23670-4103** 24 V model, fuse 10 amp.
- SK400-0023** Service Kit, includes 9200-0003 Nitrile Impeller.

For service and spare parts listing see [page 185](#).



Mini Puppy

Compact continuously rated low flow pump.

- 83 usgph (330 lph) output at 10ft (3m) total head.
- Self-priming up to 5ft (1.5m) vertical lift.
- Small bilge debris presents no problem to this Brass bodied pump.
- Simple design means fewer wearing parts - all user serviceable.
- ISO 8846 MARINE (Ignition Protected)
- ISO 8849 MARINE (Bilge Pump Standard)

Fitting: Connections for 3/8" BSP male threads, or 19mm (3/4") ID hose.

Size: 6" long x 4 3/4" wide x 3 1/2" high (15cm x 12 cm x 8cm).

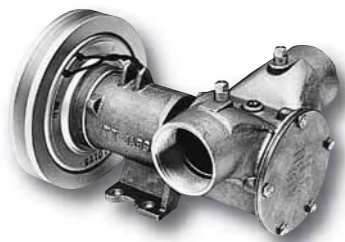
Weight: 2lb (0.9kg).

- 23620-4003** 12 volt DC model, fuse 5 amp.
- 23620-4103** 24 volt DC model, fuse 3 amp.
- SK374-0003** Service Kit, includes 1414-0003 Nitrile Impeller.

For service and spare parts listing see [page 185](#).

Engine Driven, Electric Clutch Pumps

Designed for North American Market



18330 Series Electric Clutch Pumps

This manually activated clutch pump offers all the benefits of flexible impeller pumps with a high capacity flow rate and horizontally oriented ports.

- 4710 usgph (18840 lph) at 10ft (3m) total head @ 1750 rpm.
- Self-priming to 15ft (4.5m) vertical lift.
- Mechanical face type shaft seal.
- Nitrile impeller.
- Two pulley options to accommodate either A and B size belts.
- Two single-row shaft ball bearings.

Fitting: 2" NPT.

Size: 12-7/16" long x 5-15/16" wide x 5-3/4" high (excluding pulley)
Pulley diameter - 7".

Weight: 24lb (11kg).

- 18330-0000** 12 volt DC Pump with double A groove Pulley.
- 18330-0040** 12 volt DC Pump with single B groove Pulley.
- 18330-0001** 24 volt DC Pump with double A groove Pulley.
- 18330-0041** 24 volt DC Pump with single B groove Pulley.

For service and spare parts listing see [pages 152-176](#).



11870 Series Electric Clutch Pumps

This electrically activated clutch pump offers all the benefits of flexible impeller pumps with a substantial flow rate and horizontally oriented ports. The electric clutch offers convenient remote activation.

- 3525 usgph (14100 lph) at 10ft (3m) total head @ 1750 rpm.
- Self-priming to 15ft (4.5m) vertical lift.
- Mechanical face type shaft seal.
- Nitrile impeller.
- Two pulley options to accommodate either A and B size belts.
- Double-row ball bearing.

Fitting: 1 1/4" NPT.

Size: 8 3/16" long x 5 7/8" wide x 5 1/2" high (excluding pulley)
Pulley diameter - 7".

Weight: 18lb (8kg).

- 11870-0005** 12 volt DC Pump with double A groove Pulley.
- 11870-0045** 12 volt DC Pump with single B groove Pulley.
- 11870-0006** 24 volt DC Pump with double A groove Pulley.
- 11870-0046** 24 volt DC Pump with single B groove Pulley.
- 11870-0007** 32 volt DC Pump with double A groove Pulley.

For service and spare parts listing see [pages 152-176](#).



50580 Series Electric Clutch Pumps

Heavy duty bilge and deckwash pump belt driven from the engine, for leisure and commercial craft.

- 1470 usgph (4880 lph) at 10ft (3m) total head @ 1,500 rpm.
- Self priming up to 15ft (4.5m) vertical lift.
- Bilge debris present no problems to this robust bronze bodied flexible impeller pump.
- Can be remotely controlled from outside the engine room and can be automatically shut off by fitting a vacuum cut off switch.
- Neoprene impeller is fitted as standard.

Fitting: 1" NPT.

Size: 6 1/2" long x 5" wide x 7" high
(160mm x 120mm x 178mm).

Weight: 11lbs (5kg).

- 50580-9001** 12 volt DC 2A Pulley E/M Clutch, fuse 5 amp.
- 50580-9101** 24 volt DC 2A Pulley E/M Clutch, fuse 2.5 amp.
- 50580-9201** 12 volt DC 1B Pulley E/M Clutch, fuse 5 amp.
- 50580-9301** 24 volt DC 1B Pulley E/M Clutch, fuse 2.5 amp.

For service and spare parts listing see [pages 152-176](#).

Engine Driven, Electric Clutch Pumps

Designed for European Market



50270 Series Electric Clutch Pumps

Very heavy duty bilge and deckwash pump belt driven from the engine, for leisure and commercial craft.

- 4100 usgph (16350 lph) at 10ft (3m) total head @ 1,500 rpm.
- Self-priming up to 15ft (4.5m) vertical lift.
- Bilge debris present no problems to this robust bronze bodied flexible impeller pump.
- Can be remotely controlled from outside the engine room and can be automatically shut off by fitting a vacuum cut off switch.
- Neoprene impeller is fitted as standard.

Fitting: 2" BSP internal thread/
optional 2" flange.

Size: 10" long x 7" wide x 7" high
(264mm x 170mm x 178mm).

Weight: 27lb (12.2kg).

- 50270-X011** 12 volt DC 2A Pulley E/M Clutch, fuse 5 amp.
- 50270-X111** 24 volt DC 2A Pulley E/M Clutch, fuse 2.5 amp.
- 50270-X211** 12 volt DC 1B Pulley E/M Clutch, fuse 5 amp.
- 50270-X311** 24 volt DC 1B Pulley E/M Clutch, fuse 2.5 amp.

'X' = 0, flanged ports, 'X' = 2, BSP ports.

For service and spare parts listing see [pages 152-176](#).



50220 Series Electric Clutch Pumps

Very heavy duty bilge, deckwash, and fire fighting pump belt driven from the engine, for leisure and commercial craft.

- 2925 usgph (11700 lph) at 10ft (3m) total head @ 1,500 rpm.
- Self-priming up to 15ft (4.5m) vertical lift.
- Bilge debris present no problems to this robust bronze bodied flexible impeller pump.
- Can be remotely controlled from outside the engine room and can be automatically shut off by fitting a vacuum cut off switch.
- Neoprene impeller is fitted as standard.

Fitting: 1 1/2" flange

Size: 9 1/2" long x 6" wide x 7" high
(239mm x 153mm x 178mm).

Weight: 25lbs (11.2kg).

- 50220-0011** 12 volt DC 2A Pulley E/M Clutch, fuse 5 amp.
- 50220-0111** 24 volt DC 2A Pulley E/M Clutch, fuse 2.5 amp.
- 50220-0211** 12 volt DC 1B Pulley E/M Clutch, fuse 5 amp.
- 50220-0311** 24 volt DC 1B Pulley E/M Clutch, fuse 2.5 amp.

For service and spare parts listing see [pages 152-176](#).



50200 Series Electric Clutch Pumps

Very heavy duty bilge, deckwash, and firefighting pump belt driven from the engine, for leisure and commercial craft.

- 2925 usgph (11700 lph) at 10ft (3m) total head @ 1,500 rpm.
- Self-priming up to 15ft (4.5m) vertical lift
- Bilge debris present no problems to this robust bronze bodied flexible impeller pump.
- Can be remotely controlled from outside the engine room and can be automatically shut off by fitting a vacuum cut off switch.
- Neoprene impeller is fitted as standard.

Fitting: 1 1/2" BSP internal thread.

Size: 9 1/2" long x 6" wide x 7" high
(239mm x 153mm x 178mm).

Weight: 25lbs (11.2kg).

- 50200-2011** 12 volt DC 2A Pulley E/M Clutch, fuse 5 amp.
- 50200-2111** 24 volt DC 2A Pulley E/M Clutch, fuse 2.5 amp.
- 50200-2211** 12 volt DC 1B Pulley E/M Clutch, fuse 5 amp.
- 50200-2311** 24 volt DC 1B Pulley E/M Clutch, fuse 2.5 amp.

For service and spare parts listing see [pages 152-176](#).



50580 Series Electric Clutch Pumps

Heavy duty bilge and deckwash pump belt driven from the engine, for leisure and commercial craft.

- 1470 usgph (4880 lph) at 10ft (3m) total head @ 1,500 rpm.
- Self-priming up to 15ft (4.5m) vertical lift.
- Bilge debris present no problems to this robust bronze bodied flexible impeller pump.
- Can be remotely controlled from outside the engine room and can be automatically shut off by fitting a vacuum cut off switch.
- Neoprene impeller is fitted as standard.

Fitting: 1" BSP internal thread

Size: 6 1/2" long x 5" wide x 7" high
(160mm x 120mm x 178mm).

Weight: 11lbs (5kg).

- 50580-2001** 12 volt DC 2A Pulley E/M Clutch, fuse 5 amp.
- 50580-2101** 24 volt DC 2A Pulley E/M Clutch, fuse 2.5 amp.
- 50580-2201** 12 volt DC 1B Pulley E/M Clutch, fuse 5 amp.
- 50580-2301** 24 volt DC 1B Pulley E/M Clutch, fuse 2.5 amp.

For service and spare parts listing see [pages 152-176](#).

Engine Driven, Manual Clutch Pumps

Designed for European Market



51270-9013 Manual Clutch Pumps

This manually activated clutch pump offers all the benefits of flexible impeller pumps with a high capacity flow rate and horizontally oriented ports.

- 4100 usgph (16350 lph) at 10ft (3m) total head @ 1500 rpm.
- Self-priming to 15ft (4.5m) vertical lift.
- Mechanical face type shaft seal.
- Nitrile impeller.
- Clutch pulley accommodates both A and B size belts.

- Two single-row shaft ball bearings.
- Fitting:** 2" NPT.
- Size:** 12⁷/₁₆" long x 5¹⁵/₁₆" wide (excluding pulley) x 8⁷/₈" high; Pulley dia. 7".
- Weight:** 24lb (11kg).
- 51270-9013** Pump with Nitrile Impeller, Full Cam and Mechanical Seal.

For service and spare parts listing see [pages 152-176](#).



51200-9013 Manual Clutch Pumps

This manually activated clutch pump offers all the benefits of flexible impeller pumps with a substantial flow rate.

- 2925 usgph (11700 lph) at 10ft (3m) total head @ 1500 rpm.
- Self-priming to 15ft (4.5m) vertical lift.
- Mechanical face type shaft seal.
- Nitrile impeller.
- Clutch pulley accommodates both A and B size belts.

- Double-row ball bearing.
- Fitting:** 1¹/₂" NPT.
- Size:** 9⁵/₈" long x 5¹⁵/₁₆" wide (excluding pulley) x 8⁷/₈" high; Pulley diameter - 7".
- Weight:** 18lb (8kg).
- 51200-9013** Pump with Nitrile Impeller, Full Cam and Mechanical Seal.

For service and spare parts listing see [pages 152-176](#).



6590-0005 Manual Clutch Pumps

This manually activated clutch pump offers all the benefits of flexible impeller pumps with a substantial flow rate and horizontally oriented ports.

- 3525 usgph (14100 lph) at 10ft (3m) total head @ 1750 rpm.
- Self-priming to 10ft (3m) vertical lift.
- Nitrile impeller.
- Clutch pulley accommodates a B size belt.
- Double-row ball bearing.

- Fitting:** 1¹/₄" NPT.
- Size:** 8¹/₁₆" long x 5¹/₂" wide (excluding pulley) x 8¹/₈" high; Pulley diameter - 6".
- Weight:** 18lb (8kg).
- 6590-0005** Pump with Nitrile Impeller, Full Cam and Mechanical Seal.

For service and spare parts listing see [pages 152-176](#).



51580-9001 Manual Clutch Pumps

This manually activated clutch pump offers all the benefits of flexible impeller pumps with a moderate flow rate and horizontally oriented ports.

- 1470 usgph (4880 lph) at 10ft (3m) total head @ 1500 rpm.
- Self-priming to 15ft (4.5m) vertical lift.
- Mechanical face type shaft seal.
- Neoprene impeller.
- Clutch pulley accommodates both A and B size belts.
- Spaced sealed for life bearings.

- Fitting:** 1" NPT.
- Size:** 7¹³/₁₆" long x 4³/₄" wide (excluding pulley) x 7⁷/₁₆" high; Pulley diameter - 6".
- Weight:** 9lb (4kg).
- 51580-9001** Pump with Manual Clutch.

For service and spare parts listing see [pages 152-176](#).

Engine Driven, Manual Clutch Pumps



Designed for European Market



51270 Series Manual Clutch Pumps

Very heavy duty bilge, deckwash, and fire-fighting pump belt driven from the engine, for leisure and commercial craft.

- 4100 usgph (16350 lph) at 10ft (3m) total head @ 1,500 rpm.
- Self-priming up to 15ft (4.5m) vertical lift.
- Bilge debris present no problems to this robust bronze bodied flexible impeller pump.
- Dependable manual control will operate even under the toughest conditions.
- Clutch pulley will accommodate both A and B type pulley belts.

- Easily serviced and maintained.
- Neoprene impeller is fitted as standard.
- Fitting:** 2" BSP Internal Thread/ Optional 2" Flange
- Size:** 12" long x 7" wide x 9" high (316mm x 170mm x 224mm).
- Weight:** 25lbs (11kg).

51270-0011 Manual Clutch, flanged ports.

51270-2011 Manual Clutch, BSP ports.

For service and spare parts listing see [pages 152-176](#).



51220 Series Manual Clutch Pumps

Very heavy duty bilge, deckwash, and fire-fighting pump belt driven from the engine, for leisure and commercial craft.

- 2725 usgph (11700 lph) at 10ft (3ft) total head @ 1,500 rpm.
- Self-priming up to 15ft (4.5m) vertical lift.
- Bilge debris present no problems to this robust bronze bodied flexible impeller pump.
- Dependable manual control will operate even under the toughest conditions.

- Clutch pulley will accommodate both A and B type pulley belts.
- Easily serviced and maintained.
- Neoprene impeller is fitted as standard.
- Fitting:** 1¹/₂" flange.
- Size:** 11¹/₂" long x 6" wide x 9" high (292mm x 152mm x 226mm).
- Weight:** 22lbs (10kg).

51220-0011 Manual Clutch

For service and spare parts listing see [pages 152-176](#).



51200 Series Manual Clutch Pumps

Heavy duty bilge and deckwash pump belt driven from the engine, for leisure and commercial craft.

- 2925 usgph (11700 lph) at 10ft (3m) total head @ 1,500 rpm.
- Self-priming up to 15ft (4.5m) vertical lift.
- Bilge debris present no problems to this robust bronze bodied flexible impeller pump.
- Dependable manual control will operate even under the toughest conditions.
- Clutch pulley will accommodate both A and B type pulley belts.

- Easily serviced and maintained.
- Neoprene impeller is fitted as standard, optional nitrile impeller available.
- Fitting:** 1¹/₂" BSP internal thread.
- Size:** 9¹/₂" long x 6" wide x 9" high (244mm x 150mm x 226mm).
- Weight:** 18lbs (8kg).

51200-2011 Manual Clutch.

For service and spare parts listing see [pages 152-176](#).



51580 Series Manual Clutch Pumps

Heavy duty bilge and deckwash pump belt driven from the engine, for leisure and commercial craft.

- 1470 usgph (4880 lph) at 10ft (3m) total head @ 1,500 rpm.
- Self-priming up to 15ft (4.5m) vertical lift.
- Bilge debris present no problems to this robust bronze bodied flexible impeller pump.
- Dependable manual control will operate even under the toughest conditions.
- Clutch pulley will accommodate both A and B type pulley belts.

- Easily serviced and maintained.
- Neoprene impeller is fitted as standard.
- Fitting:** 1" BSP internal thread.
- Size:** 8" long x 5" wide x 7¹/₂" high (198mm x 120mm x 189mm).
- Weight:** 11lbs (5kg).

51580-2001 Manual Clutch.

For service and spare parts listing see [pages 152-176](#).



Hydro Air Switch

Ultra reliable bilge switch, which will automatically operate bilge pumps once water level reaches 2 1/4" (55mm). As water rises in the bilge, air pressure in the bell and tube increases, operating a diaphragm switch in the switch unit. All electrical components are clear of the water and no sensitive electronics are used.

- Proven highly reliable design using new moulding techniques.
- Styling compliments modern interiors.
- Automatic operation of bilge pumps or audible and visual high water level alarms.

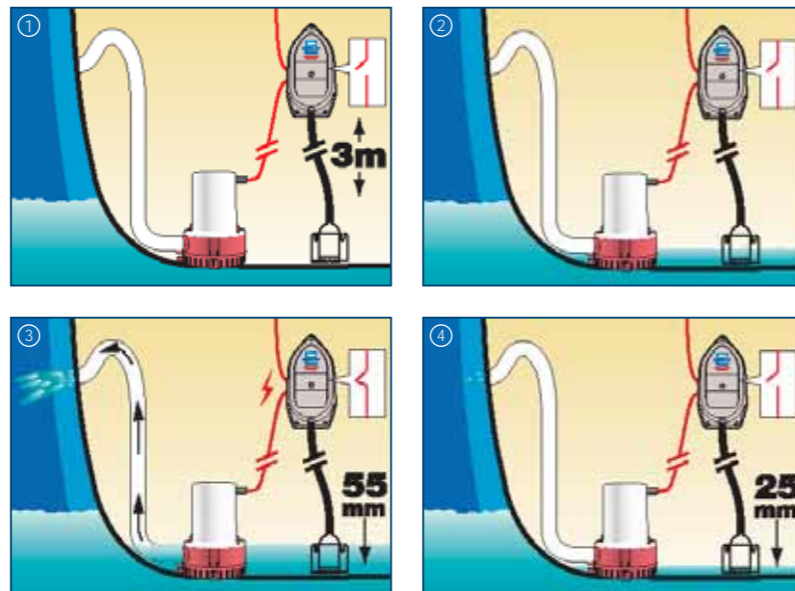
- Turns on at 2 1/4" (55mm), off at 1" (25mm).
 - Diaphragm switch can be mounted up to 10ft (3m) above plastic airbell.
- Size:** Switch - 6" x 1 3/4" x 3" (15.3cm long x 4.5cm high x 7.5cm wide).
Airbell - 2 3/8" x 1 1/4" x 4" (6cm long x 3cm wide x 10cm high).

Weight: Switch - 1/2lb (0.2kg).

59400-0012 Hydro Air Switch for 12 volt DC, up to 20 amps.

59400-0024 Hydro Air Switch for 24 volt DC, up to 10 amps.

59407-1000 Replacement Air Bell.



Bilge Master

Water resistant Master Panel with 3-way switch and front access fuse holder for any automatically controlled 12 or 24 Volt dc electric (or electromagnetic clutch) bilge pump to 30 amps.

- Water resistant switch and fuse holder allows mounting in exposed positions.
- Amber light shows that automatic mode is set, whilst red light shows whenever pump runs.

Not available in the USA.

Size: 3 7/8" wide x 2 3/8" high (10cm x 6cm).

Weight: 1/4lb (0.1kg).

29140-0000 Illuminated switch panel, for 12 and 24 Volt dc up to 30 amps complete with 5, 10, 20 and 30 amp fuses.



Y-Valve

Robust Y-Valve for use in bilge applications. Allows two bilge sections to be emptied by one pump.

- Rotating ports allow routing of hoses onto the valve from almost any direction.
- Can be operated through bulkhead by use of optional handle extension.
- Waste and corrosion resistant construction throughout.
- Can be padlocked.



Padlock NOT included

Fitting: Connections for with both 1 1/2" (38mm) ports and extra 1" (25mm) straight inlet port.

Size: 7 5/8" long x 7 1/4" wide x 4 5/8" high (20cm x 19cm x 12cm).

Weight: 2lb (0.9kg).

- 45490-1000** Y-Valve.
- 45500-1000** Handle Extension Kit.
- 45488-0000** Service Kit.
- 45493-0000** Replacement Handle.
- 18753-0661** Replacement Ports Kit.

Bilge Strainers with Non-return Valves

Stop bilge debris blocking inlet suction hose and reduces the risk of debris entering and blocking the pump.

- Available to suit 3/4", 1" and 1 1/2" (19mm, 25mm and 38mm) ID hose.
- Non-return valve fitted to stop bilge water draining back when pumping stops.
- Repositional ports allow horizontal, vertical or sideways hose leads.
- Easily removable strainer plate for cleaning.
- Corrosion resistant materials throughout.



Fitting: Connections for 3/4", 1" or 1 1/2" (19mm, 25mm or 38mm) ID hose.

Size: 6 3/4" long x 2 3/4" wide x 2 1/2" high (17cm x 7.2cm x 6cm).

Weight: 1/4 lb (0.1 kg).

- 29290-1020** Bilge Strainer for 3/4" (19mm) ID Hose.
- 29290-1000** Bilge Strainer for 1" (25mm) ID Hose.
- 29290-1010** Bilge Strainer for 1 1/2" (38mm) ID Hose.

Vacuum Switch

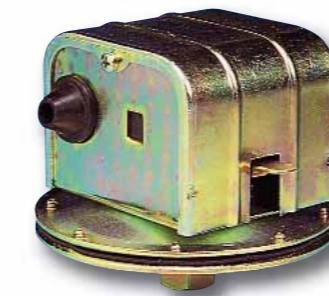
Protects any 12 or 24v dc electric, or electromagnetic clutch, bilge pump up to 15 amp from dry running drainage - especially flexible impeller designs.

- Manual start, automatic stop - remote start possible.
- Vacuum sensor shuts off power to pump motor or clutch when bilges are clear.
- Simply mounts between bilges and pump.
- Some Jabsco pumps have integral mounting point.

Fitting: Connection for 1/4" female thread and supplied with 1/4" x close nipple. Suitable for 12 and 24 volt DC, 220 volt AC, up to 15 amp, 110 volt AC up to 10 amp. For remote start, install 15 amp push button next to Master Switch.

Size: 4" diameter x 3 1/2" high (11cm x 9cm).
Weight: 1 1/2lb (0.7kg).

4732-0000 Vacuum Switch.



WARNING

Jabsco Vacuum Switch is not ignition protected, do not install where flammable vapors are present.

Livewell/Baitwell Pumps

Livewell / Baitwell Pumps

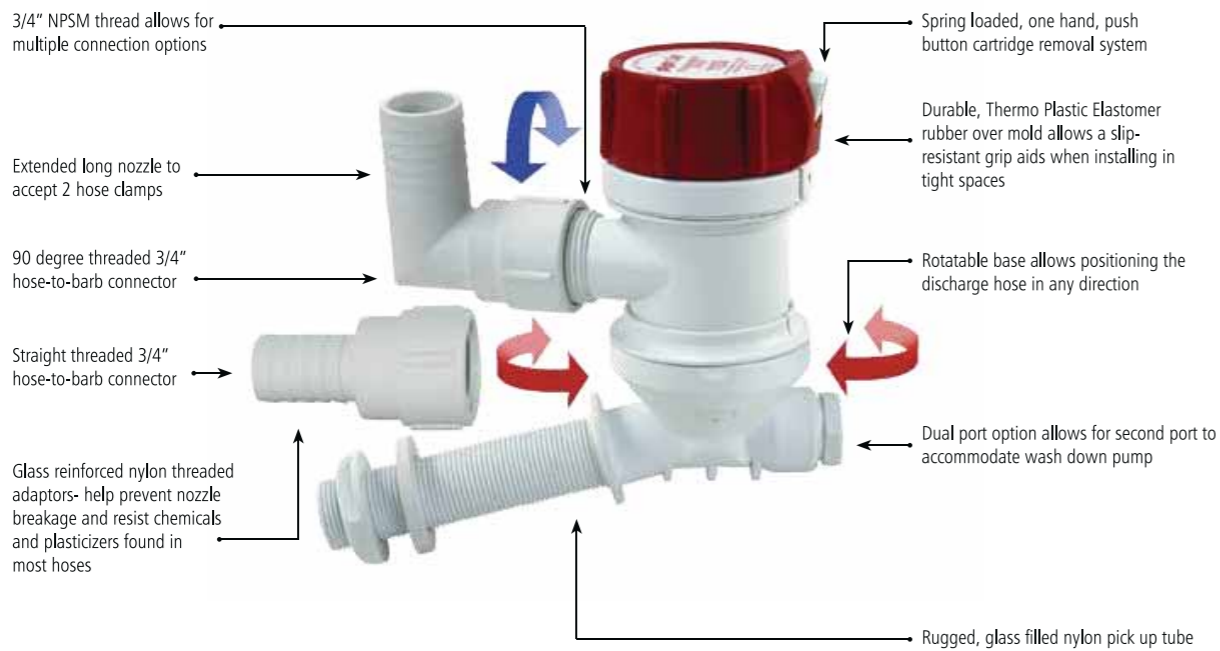
The Livewell/Baitwell pumps are built on Rule's unsurpassed quality and leadership in pump design and technology. The innovative design includes many new and exciting features including: a quick, one hand "push button" motor cartridge removal system, patented rotatable base that allows you to position the discharge nozzle at any location and threaded nylon hose barb attachments which allow for various hose mounting options.

Other features include a built-in dual port option, water-cooled housing and positive snap motor cartridge locking mechanism. Pumps are available in 500 GPH, 800 GPH and 1100 GPH and are fitted for transom or seacock mounting options.

| Head Height | | | |
|-------------|--------------|-------------|-------------|
| Capacity | 0' | 3.35' (1m) | 6.7' (2m) |
| 500 GPH | 500 (1895L) | 340 (1286L) | 100 (378L) |
| 800 GPH | 800 (3027L) | 490 (1854L) | 320 (1211L) |
| 1000 GPH | 1000 (3784L) | 710 (2686L) | 440 (1665L) |
| 1100 GPH | 1100 (4162L) | 790 (2989L) | 480 (1816L) |

Tips on selecting a Livewell Pump

- Always select a pump that will deliver enough water to replace livewell water every 10 minutes.
- Bigger is not better—too much pump capacity could lead to air locks.
- Mount the pump as low and close to the hull as possible.
 - "C" series with 4" (102mm) angled pick up tube for thru hull applications.
 - "STC" series with 4 3/4" (121mm) straight pick up tube for thru hull applications.
 - "FC" series with 1" (25mm) pick up tube for seacock applications.



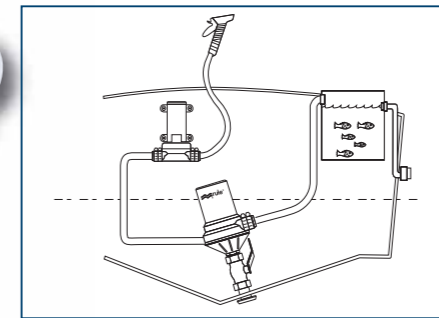
Livewell/Baitwell Pumps

Tournament Series Dual Port 1600 G.P.H (6054 L.P.H.) Livewell Pump



Engineered to withstand the rigors of tournament fishing the Tournament Series pump is the highest capacity Livewell pump in today's market.

This model features a glass filled nylon dual port base for optional washdown pump connection, Anti-Airlock feature and a heavy duty long life motor. The pump has a 1" NPT female intake, 1 1/8" discharge outlet and a 1/4" NPT threaded port for washdown installation. 12 volt DC.



209FDP 1600 GPH (6054 LPH) Dual Port.

Tournament Series Bronze Base 1600 G.P.H (6054 L.P.H.) Livewell Pump



Designed for the toughest applications the Tournament Series pump is the highest capacity livewell pump in today's market. Pump features a bronze base, Anti-Airlock feature, and a heavy duty long life

motor. 1" (25mm) NPT female intake and 1 1/8" (29mm) discharge outlet. 12 volt DC.

209B 1600 GPH (6054 LPH) Bronze Base.

Gentle-Flow™ Oxygenator



Designed with the patented infuser technology and a Gentle-Flow directional discharge, the Rule Gentle-Flow™ Oxygenator is the ideal system for keeping bait and catch alive and healthy. The patented infuser technology introduces air into the base of the livewell pump through the air control center producing millions of micro-fine bubbles. Because the bubbles are so small, they remain suspended in the

water longer, providing more aeration to your delicate bait and catch. Designed to fit almost any custom tank. Kits come complete with a pump, directional discharge, intake strainer, hose and intake valve.

- 255** 700 GPH (2650 LPH) ideal for 25lbs (11kg) of bait.
- 256** 1100 GPH (4162 LPH) ideal for 50lbs (23kg) of bait.

Livewell/Aerator



"C" Series Tournament Series™ Angled Inlet

For Thru-Hull Applications Angled 4" (102mm) Pickup Tube. 12 volt DC.

- 401C** 500 GPH (1893 LPH), 3/4" (19mm) discharge hose, fuse 2.5 amp.
- 403C** 800 GPH (3028 LPH), 3/4" (19mm) discharge hose, fuse 5 amp.
- 405C** 1000 GPH (3785 LPH), 1 1/8" (29mm) discharge hose, fuse 6 amp.



"STC" Series Tournament Series™ Straight Inlet

For Thru-Hull Applications Straight 4 1/4" (121mm) Pickup Tube. 12 volt DC.

- 401C** 500 GPH (1893 LPH), 3/4" (19mm) discharge hose, fuse 2.5 amp.
- 403C** 800 GPH (3028 LPH), 3/4" (19mm) discharge hose, fuse 5 amp.
- 405C** 1000 GPH (3785 LPH), 1 1/8" (29mm) discharge hose, fuse 6 amp.



"FC" Series Tournament Series™ Seacock Inlet

For Seacock Applications Straight 3/4" (19mm) Tube with Tapered Threads. 12 volt DC.

- 401FC** 500 GPH (1893 LPH), 3/4" (19mm) discharge hose, fuse 2.5 amp.
- 403FC** 800 GPH (3028 LPH), 3/4" (19mm) discharge hose, fuse 5 amp.
- 405FC** 1100 GPH (4162 LPH), 1 1/8" (29mm) discharge hose, fuse 6 amp.



Replacement Motor Cartridges

Replacement Motor Modules for all Tournament Series™ Aerator Pumps.

- 45DR** 500 GPH (1893 LPH), fuse 2.5 amp.
- 46DR** 800 GPH (3028 LPH), fuse 5 amp.
- 47DR** 1100 GPH (4162 LPH), fuse 6 amp.

Livewell/Aerator



Rule Oxygenator Systems

High performance live-bait aerators keep bait and catch alive and healthy in a smaller amount of water. Air is infused with the water at the pump impeller, then millions of micro-fine bubbles are produced and sent gently out of the pump into the livewell. Because the bubbles are so fine, they remain suspended in the water longer and more aeration is provided for your delicate bait and catch. 12 volt DC.

- 250** 500 GPH Oxygenator System - ideal for 10lbs (5kg) of bait.
- 251** 800 GPH Oxygenator System - ideal for 25lbs (11kg) of bait.
- 252** 1100 GPH Oxygenator System - ideal for 50lbs (23kg) of bait.



Livewell Aerator Kit

Rule's Livewell Aerator Kit is designed for any built-in livewell or baitwell tank. The kit comes with a Rule 500 GPH (1893 LPH) pump with 6' (1.8m) wire leads, 4' (1.2m) of 3/4" (19mm) bilge hose, Model 78 Oxygenator Spray Head, and Model 49 On/Off Switch. 12 volt DC.

(19mm) bilge hose, Model 78 Oxygenator Spray Head, and Model 49 On/Off Switch. 12 volt DC.

201K

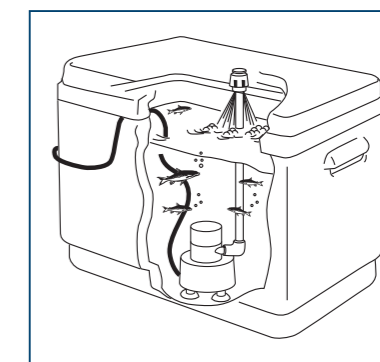
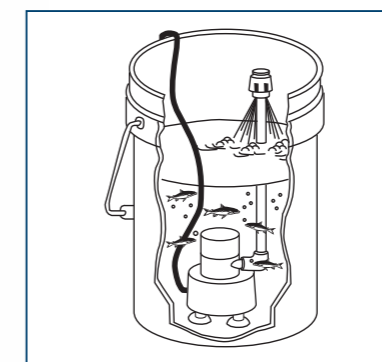


Portable Aerator Kit

Aerates from 5 to 30 gallons (19 to 113 liters) of water. The Rule 460 GPH (1741 LPH) pump attaches easily to any non-porous surface. 9" (229mm) long spray tube can be custom cut to fit into any container. A fully adjustable spray head increases or

reduces flow of water. Foam filtration system keeps water sparkling clean. The kit also includes battery clips for easy attachment to your 12 volt power source. 12 volt DC.

202K



Transom Mount Livewell Pumps

Rule introduces a lineup of Transom Mounted Aerator Pumps. This allows the fisherman to have professional aeration of his livewell without the need to install a pump through the hull. The unique "quick-release" pump with strainer base assembly snaps easily into the transom bracket provided. At the end of the day, the pump can be removed for storage. Pumps feature 6' (1.8m) wire leads. 12 volt DC.

- 24TB** 360 GPH (1363 LPH).
- 25DTB** 500 GPH (1893 LPH).
- 20RTB** 800 GPH (3028 LPH).
- 27DTB** 1100 GPH (4162 LPH).
- 265** Bracket Only.





Replacement Motor Cartridges Original Pro-Series™ Livewell Pumps

Replacement motor cartridges for Rule Cartridge Bilge pumps and Livewell/Aerator pumps. 12 volt DC.

- 25DR** Replacement Motor Cartridge 500 gph (1893 lph).
- 20RR** Replacement Motor Cartridge 700 gph (2650 lph).
- 27DR** Replacement Motor Cartridge 1100 gph (4162 lph).



Gentle Flow™ Directional Discharge

Rule Gentle-Flow™ Directional Discharge creates a gentle flow of water into your livewell/baitwell tank that can be positioned in any direction. The gentle circular water flow reduces turbulence keeping delicate bait fish alive and healthy.

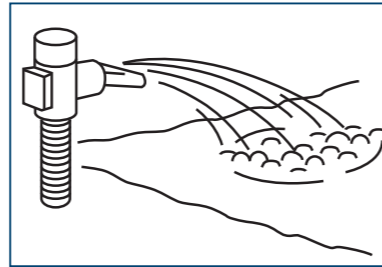
- 257** 3/4" (19mm).
- 258** 1 1/8" (29mm).
- 259** 1 1/2" (38mm).



Oxygenator Spray Head

Rule's Oxygenator spray head sprays streams of water back into the livewell tank enriching the water with oxygen. Adjustable spray head allows you to increase or decrease flow of water. For use with 3/4" (19mm) hose.

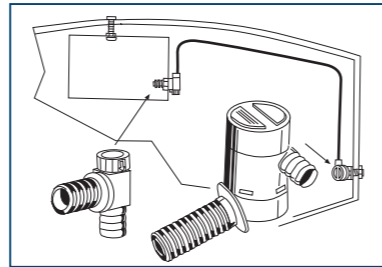
78



Variable Flow Control

The Variable Flow Control Valve allows increases and decreases of flow with no damage at all to the pump. Range includes fully open flow to zero flow.

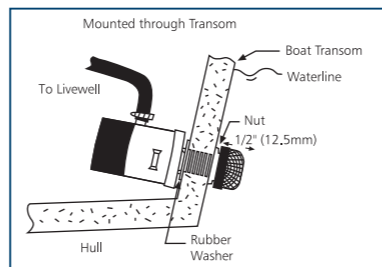
75



Livewell Pump Debris Strainer

The Livewell Pump Debris Strainer attaches directly to any pickup tubes on Rule Livewell Pumps. Filters out trash and debris which could clog pump. Stainless steel wire mesh, 3/4" (19mm) female NPSM threads.

75



Oil Change Pumps



Porta-Quick™

The Porta-Quick™ Portable Oil Changer makes quick, clean and easy oil changes on-board any boat, because it uses the vessel's own power supply to operate the powerful oil reservoir mounted flexible impeller pump.

- 14 Quart (13 litre) container easily handles two engines.
- Sturdy bronze pump head.
- High temperature resistant Teflon™ dip-stick probe.
- Non-collapsible thick wall suction hose.
- Garden hose thread adapter included, for dip-sticks with GHT male threaded ends.

- Complies with USCG 183.410 and ISO 8846 MARINE (Ignition Protected).

Size: 15⁵/₈" high x 13¹/₂" diameter (35cm x 34cm).
Hose - ³/₄" (13mm) ID x 48" (120cm) long.
Probe - ¹/₄" (6.5mm) OD x 40" (100cm) long.

Weight: 9lb (4.1kg)

17800-2000 12 volt DC, fuse 15 amp Oil Changer (Non CE).

17800-2024 24 volt DC, fuse 8 amp Oil Changer.

9200-0023 Replacement Nitrile Impeller.



NEW

DIY Oil Changer

The DIY Oil Changer is simple to use, and offers quick and easy oil changes for the leisure boat owner.

- Fully assembled.
- 14 Quart (13 litre) container.
- Tested for 1400 cycles.
- 8' (2.49m) dipstick hose.

Size: 15" high x 14" diameter (35cm x 34cm).

Weight: 6lb (2.7kg).

17850-1012 12 volt DC, fuse included.



Flat Tank Oil Changer

The Jabsco Flat Tank Oil Change System will extract up to 50 weight oil at a temperature of 70°F (21°C) through the engines dip stick tube in usually less than 5 minutes. The new 14 quart (13 litre) flat tank design makes for a clean and simple oil change on any boat and allows trouble-free disposal due to the stable, easy to carry design.

- Powerful suction pump with integral On/Off switch.
- Complete - ready to use.
- 14 Quart (13 litre) NEW flat tank design for

more stable use.

- 7 ft (2.1m) power leads with color coded alligator clips.
- 8 ft (2.4m) Heat Resistant Teflon™ Dip Stick Probe.
- Ideal for most marine engines.
- Complies with USCG 183.410 and ISO 8846 Marine (Ignition Protection).

Size: 19" high x 12" wide x 6.5" deep (483mm x 305mm x 165mm).

Weight: 5lb (2.3kg).

17860-0012 12 volt DC, fuse 5 amp.



Oil Change Pump

The Oil Change Pump is the same high quality pump used in the Jabsco multi-engine Oil Change System. The powerful pump can change oil in a typical V-8 engine in just minutes.

- Pump is reversible to both drain and refill engine oil.
- Self-priming to 3ft (1m) of lift.
- Includes ³/₈" NPT full flow ball valve.
- Reversing switch guard to avoid accidental activation.
- Complies with USCG 183.410 and ISO 8846 MARINE (Ignition Protected).

Fitting: Connections for ³/₈" NPT male threaded fitting.

Size: 7⁷/₈" long x 3³/₄" wide x 4⁷/₁₆" high (20cm x 10cm x 11cm).

Weight: 9lb (4.1kg).

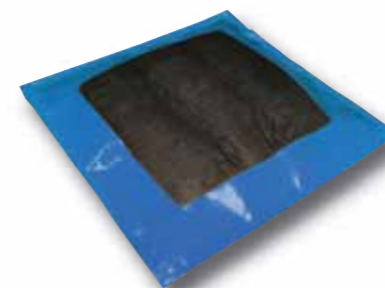
17830-0012 12 Volt DC, fuse 15 amp Oil Change Pump.

17830-0024 24 Volt DC, fuse 8 amp Oil Change Pump.

9200-0023-P Nitrile Impeller.

For service and spare parts listing see [page 185](#).

Oil Change Pumps



Maintenance Pad

Environmental responsibility is a key factor today and the Jabsco Maintenance Pad uses proprietary technology to absorb, encapsulate and biodegrade used engine oil.

- Handles 5 Quarts (4.72 litres) of used engine oil.
- Passes EPA, TCLP 'Toxic Characteristic Leaching Potential' and 'One Drop Rule Tests'.

- Also suitable for other hydrocarbon based fluids.

Size: 22" x 22" x 1.5" (558mm x 558mm x 38mm)

Weight: 2.5lb (5.5kg) empty

17890-0000 Maintenance Pad

**Only available in North America.*



Gear Puppies

These robust pumps make oil and diesel transfer simple and easy for fixed installation systems. The Junior Gear Puppy can produce 3.5 gpm (14 lpm) and the Gear Puppy can produce up to 6.5 gpm (25 lpm) and handle viscosities up to 150cs

- Rugged bronze construction.
- Inlet filter supplied.
- Suitable for oils up to 150 Cs.
- Complies with USCG 183.410 and ISO 8846 MARINE (Ignition protection).
- Self priming to 3ft (1m).
- 15 minute duty rating.

Size: 23220-Series: 3" x 6.5" x 5.5" (8cm x 16.6cm x 13.6cm).

23230-Series 4" x 7" x 7" (9.5cm x 17.5cm x 17.8cm).

Weight: 23220-Series 4.8lb (2.2kg).

23230-Series 7lb (3.2kg).

23220-2012 12 volt DC, fuse 10A, Junior Gear Puppy.

23220-2024 24 volt DC, fuse 5A, Junior Gear Puppy.

23230-2012 12 volt DC, fuse 15A, Gear Puppy.

23230-2024 24 volt DC, fuse 7.5A, Gear Puppy.



Permanent Oil Drain Hose Kit

The Jabsco Oil Drain Hose includes a drain plug fitting, oil drain hose assembly, hose hanger and a cap. This provides an easy method of connecting to several pump types for neat and easy oil removal.

- Reinforced flexible oil rated drain hose.
- ¹/₂"-20 threaded oil drain fitting with two hose connection points to assure hose is oriented in desired direction.

- Hose hanger secures hose end above oil.
- Threaded cap seals hose end.

Size: Hose - ³/₈" ID x 48" long
Drain fitting - ¹/₂"-20 thread.

Weight: 1lb (0.5kg).

18080-0000 Hose & Drain Fitting.

Carton: 12 Kits.

Not recommended for automobiles with drainplugs exposed to potential road hazard damage.



Oil Changer System

The Oil Change System consists of a robust self-priming flexible impeller pump mounted to an easy to install base and coupled to a five port manifold, factory fitted with three full flow ball valves.

- The system includes a pump reversing switch to pump used oil out and new oil in.
- The system cover includes a hinged valve cover to protect them from being accidentally opened.
- The valve cover will not close after an oil change unless valves are securely closed.
- Complies with USCG 183.410 and ISO 8846 MARINE (Ignition Protected).

Size: 5¹/₄" high x 10⁷/₈" wide x 11" deep (13cm x 28cm x 28cm).

Ball Valves - ¹/₂" NPT.

Weight: 9lb (4.1kg).

17820-0012 12 volt DC, fuse 15 amp Oil Change System.

17820-0024 24 volt DC, fuse 8 amp Oil Changer System.

9200-0023 Replacement Nitrile Impeller.

98024-0000 Additional ¹/₂" Ball Valve.

For service and spare parts listing see [page 185](#).

Oil Change & Diesel Transfer Pumps



Engine Oil Drain Pump

Polished brass hand pump connects directly to engine oil dipstick tube on many popular marine engines such as OMC and Mercruiser.

- Screws onto threaded male 3/4" garden hose (GHT) fitting on top of dipstick tube.
- Gives simple "one-hand" pumping.
- Complete with 2ft (60cm) of 1/2" (13mm) ID drain hose.

Fitting: Connection for 3/4" GHT male thread.
Size: 10 1/4" long x 1 1/4" diameter (26cm x 3.2cm).

Weight: 1lb (0.5kg).
34060-0130 Engine Oil Drain Pump.



Handy Boy Utility Pump

Versatile polished brass multi-purpose hand pump.

- Drain, fill or top up engine and gearbox oil.
- Overcomes problem of hard to reach drain plugs and filler caps.
- Oil and corrosion resistant brass neoprene construction with up to 1 1/2 gpm (6 lpm) output.
- 1001 other uses on any boat.

Fitting: Connection for 1/2" (13mm) ID hose. Foot adaptor for 1/2" (13mm) ID hose. 2 each 1/2" (13mm) ID hoses, 1 each 5/16" (6.5mm) probe, 1 each 1/4" (6mm) probe.

Size: 12" long x 1 1/4" diameter (31cm x 3cm).

Weight: 2lb (0.9kg).
33799-0000 Handy Boy.



Little Pal Utility Pump

Compact polished brass multi-purpose hand pump.

- Ideal for small engine and gearbox oil drain.
- Simply pump old oil out with dipstick probe.
- Oil and corrosion resistant brass and neoprene construction with up to 1 gpm (4 lpm) output.
- Small enough to fit any tool box.

Fitting: Connection for 1/2" (13mm) ID hose. 1 x 1/4" (6mm) probe.

Size: 10 1/4" long x 1 1/4" diameter (26cm x 3cm).

Weight: 1lb (0.5kg).
34060-0010 Little Pal.



Sliding Vane 18680 - 6 gpm

Light duty, 30 minute rated diesel pump.

- 6 gpm (23 lpm) at 10ft (3m) head.
- 30ft (9m) maximum total head.
- Self-priming up to 3ft (1m) vertical lift.
- Duty cycle-30 minutes at 10ft (3m) at 86°F (30°C).
- Rugged bronze pump head.
- Complies with USCG 183.410 and ISO 8846 MARINE (Ignition Protection).

Fitting: Connections for 1/2" NPT and 1" (25mm) hose.

Size: 7" long x 4 3/4" wide x 3 3/8" high (18cm x 12cm x 9cm).

Weight: 5.5lb (2.5kg).
18680-0920 12 volt DC model.
18680-0940 24 volt DC model.
90200-0001 Service Kit.

For service and spare parts listing see page 182.



Sliding Vane 18680 - 6 gpm Reversible

Light duty, 30 minute rated diesel pump with integral reversing switch.

- 5 gpm (19 lpm) at 10ft (3m) head.
- 20ft (6m) maximum total head.
- Self-priming up to 3ft (1m) vertical lift.
- 22°F (-30°C) to 100°F (+40°C) operating temperature range.
- Duty cycle-30 minutes at 10ft (3 metres) at 86°F (30°C).
- Complies with USCG 183.410 and ISO 8846 MARINE (Ignition Protection).

Fitting: Connections for 1/2" NPT and 1" (25mm) hose.

Size: 8" long x 4 3/4" wide x 3 1/4" high (20cm x 12cm x 8cm).

Weight: 5.5lb (2.5kg).
18680-1000 12 Volt dc model, fitted with reversing switch.
90201-0000 Service Kit.

For service and spare parts listing see page 182.

Diesel Transfer Pumps



Sliding Vane 18685 - 7 gpm

Continuously rated duty, AC diesel or light oil transfer pump.

- 7.8 gpm (29.5 lpm) output at 3m (10ft) total head.
- Self Priming up to 1.5m (5ft) vertical lift.
- 20 ft. (6 m) maximum head.
- Fitted with Thermal overload protection and 6ft power cord with 3 prong grounded plug.

Fitting: Connections for 1/2" NPT (12mm) or 1" (25mm) ID hose.

Size: 9 1/2" long x 4 3/4" wide x 6" high (24cm x 12 cm x 15cm).

Weight: 14 1/2 lb (6.5kg).
18685-0000 115 volt AC model, 1/8hp, 60Hz TENV, 3450 rpm (Non CE).

For service and spare parts listing see page 187.



iL500P



iL280PK

Slimline Pumps

Rule has developed a family of compact combination Submersible and Inline pumps and Portable Pump Kits designed for a wide variety of uses, both onboard and ashore. There are four models in the Slimline Series which include strainers for use in submersible mode or, when the filter is removed, for use in the inline pumping mode. These pumps are capable of pumping hot or cold fresh water, seawater, antifreeze and even diesel.

The pumps can be used to pump bilge water from tight spaces, as deck showers, for general wash down, water and diesel transfer or engine winterizing.

- Delivers up to 500 gph (1892 lph).
- Pumps fresh and seawater, diesel and anti-freeze.
- Wash down for cars, vehicles, anchors and decks.
- Deck shower.
- Under engine bilge pumping.
- Diesel refueling and transfer.
- Garden watering.
- Container filling and emptying.
- Sink draining.
- Engine winterizing.

iL500P 500 gph (1892 lph), 12 volt
iL500P-24 500 gph (1892 lph), 24 volt.
iL280P 280 gph (1059 lph), 12 volt.
iL280P-24 280 gph (1059 lph), 24 volt.
iL200P 200 gph (756 lph), 12 volt.
iL200P-24 200 gph (756 lph), 24 volt.



WARNING

Sliding Vane Pumps must not be used for gasoline, petroleum products or any fluid with a flash point below 98°F (37°C).



Sliding Vane 23870

Light duty, 35 minute rated diesel pump.

- 9 gpm (35 lpm) at 10ft (3m) head.
- 20ft (6m) maximum total head.
- Self-priming up to 9ft (2.8m) vertical lift.
- 22°F (-30°C) to 104°F (+40°C) operating temperature range.
- 35 minutes at 10ft (3m) at 86°F (30°C).
- IP55 Motor.
- Integral switch and fuse fitted as standard.
- Accessories available.
- ISO 8846 MARINE (Ignition Protection).

Fitting: Connections for 3/4" (19mm) ID hose.
Size: 7" long x 5 1/2" wide x 4 1/2" high (19cm x 11cm x 14cm).

Weight: 4.4lb (2kg).

23870-1200 12 volt DC model, fitted switch, fuse 20 amp.

23870-1300 24 volt DC model, fitted switch, fuse 10 amp.

SK399-0101 Service Kit.

For service and spare parts listing see page 187.



Sliding Vane VR050

Continuously rated, diesel pump.

- 13.7 gpm (50 lpm) at 10ft (3m) total head.
- Self-priming up to 9.6ft (3m) vertical lift.
- Optional fitted switch, fuse and ports.
- 22°F (-30°C) to 104°F (+40°C) operating temperature range.
- IP55 motor.
- ISO 8846 MARINE (Ignition Protection).

Fitting: Connections for 1" (25mm) ID hose, or 3/4" BSP.

Size: 8 1/2" long x 5" wide x 5 1/4" high (23cm x 13cm x 15cm).

Weight: 5kg (11lb).

VR050-1122 1" (25mm) ID hose, 24 volt DC, fuse 10 amp, fitted switch.

SK421-0000 Service Kit.

For service and spare parts listing see page 187.



Sliding Vane VR100

Heavy duty, continuously rated, diesel pump.

- 28 gpm (105 lpm) at 10ft (3m) total head.
- Self priming up to 16ft (5m) vertical lift.
- Optional fitted switch, fuse and ports.
- 22°F (-30°C) to 104°F (+40°C) operating temperature range.
- IP55 and thermal protected motor.
- ISO 8846 MARINE (Ignition Protection).

Fitting: Connections for 1 1/4" (32mm) ID hose, or 1" BSP.

Size: 10 1/2" long x 5 3/4" wide x 7 1/4" high (27cm x 14.5cm x 18cm).

Weight: 19.8lb (9kg).

VR100-1122 1 1/4" (32mm) ID hose, 24 volt DC, fitted with 20 amp switch and circuit breaker.

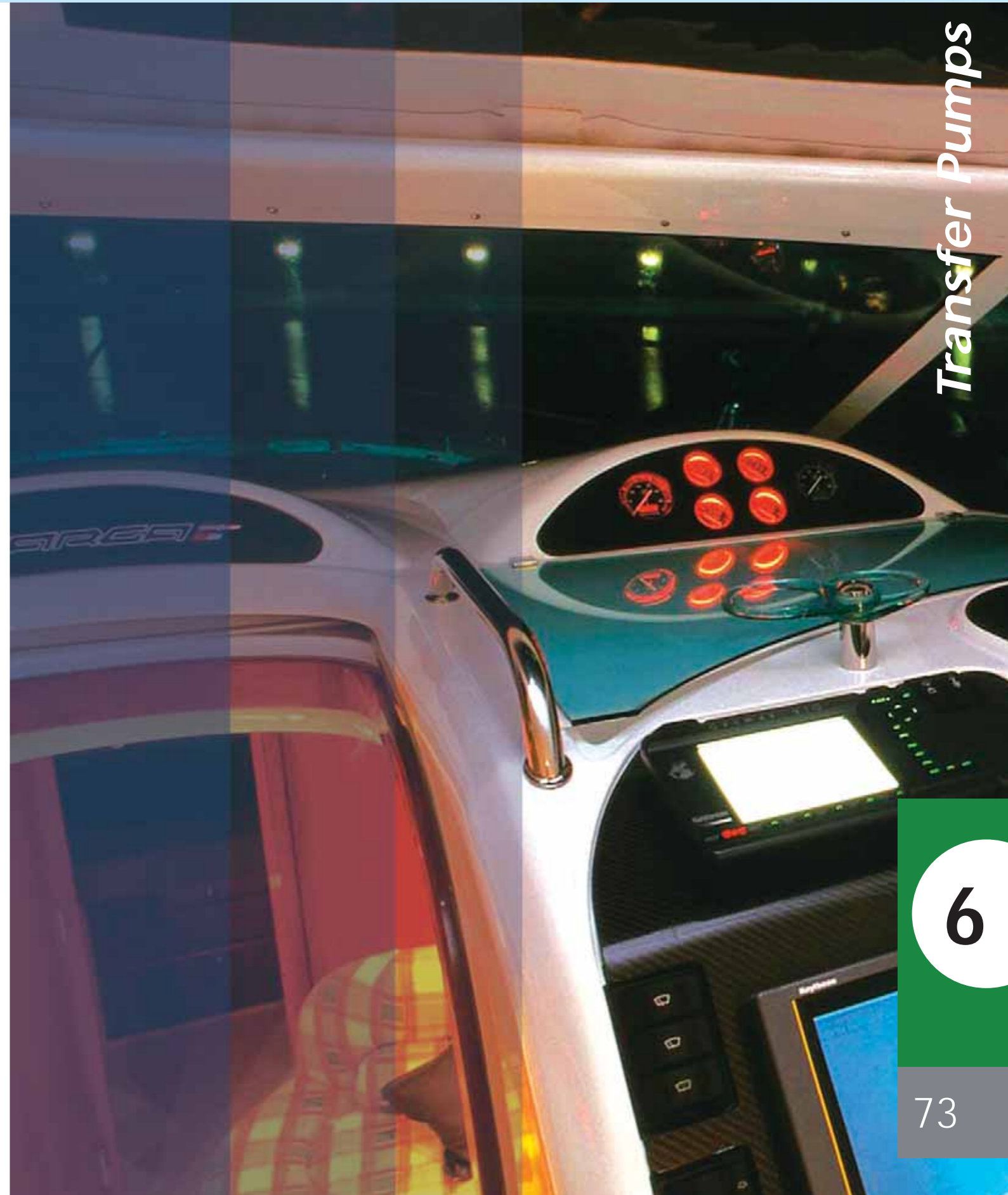
SK422-0001 Service Kit.

For service and spare parts listing see page 187.

WARNING



Sliding Vane Pumps must not be used for gasoline, petroleum products or any fluid with a flash point below 98°F (37°C).



Introduction

Ballast Pumps

Today's Wakeboard and Ski tow boats need to be able to take on water ballast to modify their wake formation. A development of our tried and tested Puppy Pumps lets these specialist craft rapidly take on and dump ballast, while modern electronics guard against dry running damage to the impeller.



Shower & Sink Drain

Jabsco and Rule's broad range of pump types means that we can provide a choice of solutions according to your needs and budget. Diaphragm pumps such as 50880 and PAR-Max are the choice of charter operators - quiet and dry running. Many knowledgeable owners still appreciate the ability of our Puppy pumps to handle a wide range of debris.



Circulation Pumps

Centrifugal pumps are the correct product for closed circuit circulation systems, such as Livewell Circulation, Washdown, Central Heating and other flooded suction applications. Jabsco offers purpose designed pumps capable of arduous commercial duty.



AC Pumps

Jabsco bronze bodied AC motor pumps are self-priming, portable and versatile, making them ideal for a wide range of applications wherever AC power is available.



Specialty Products

Our Drill pumps are old favorites whose multiple uses keep them in constant demand.



Shower Drain Pump

Robust diaphragm pump suitable for shower and sink drain applications with a multi-positional pump head.

- 4.2 gpm (16 lpm) open flow output at 3ft (1m) head.
- Self-priming up to 10ft (3m) vertical lift allows mounting above wet bilges.
- Flexible Installation.
- Compact and simple design.
- Filter-less.
- Quiet running.
- Capable of extensive dry running.
- Corrosion resistant parts.

- Complies with USCG 183.410 and ISO 8846 MARINE (Ignition Protection).
 - ISO 8849 MARINE (Bilge Pump Standard).
- Fitting:** Connections for 3/4" (19mm) ID Hose.
- Size:** 11.7" long x 5.9" wide x 4.4" high (29.7cm x 15cm x 11.1cm).
- Weight:** 6lb (2.7kg).
- 50880-1000** 12 volt DC model, fuse 10 amp.
- 50880-1100** 24 volt DC model, fuse 5 amp.
- SK880** Service Kit.

For service and spare parts listing see [page 153](#).



Shower & Sink Drain Pumps



PAR-Max Shower Drain Pump

New generation, long life fully serviceable shower drain pump.

- 3.5 gpm (13.2 lpm) at 3ft (1m) head.
- Self-priming up to 10ft (3m) allows mounting above wet bilges.
- Diaphragm design allows extended dry running.
- Continuous rated, heavy duty motor sealed for harsh bilge environments.
- Thermal overload protection automatically stops the motor if it overheats due to overloading, with auto re-start feature.
- Complies with USCG 183.410 and ISO 8846 MARINE (Ignition Protection).
- ISO 8849 MARINE (Bilge Pump Standard).

- Complete with Pumpgard.
 - Oil resistant elastomers.
- Fitting:** Connections for 3/4" (19mm) ID hose.
- Size:** 7.7" long x 4.2" wide x 4.1" high (19.6cm x 10.6cm x 10cm).
- Weight:** 5.0lb (2.1kg).
- 32601-0092** 12 volt DC model, fuse 10 amp.
- 32601-0094** 24 volt DC model, fuse 7 amp.
- 18912-3050** Diaphragm Kit.

For service and spare parts listing see [page 197](#).



Shower Drain

A compact, full capacity shower drain system. Automatically turns on after the water starts and shuts off when the water is removed. Activated by a non-mercury Rule-A-Matic® Plus float switch. Available with one or three

inlet ports which offer varying combinations of inlet hose. Other features include a clear screw down cover, a removable strainer for easy cleaning and an internal check valve to prevent back flow.



| Model | Description | Discharge (inches/mm) | Inlet Ports (inches/mm) | Size (length x width x height) (inches/mm) |
|--------|---|-----------------------|--|--|
| 98A | Multi-Port Inlet Pump 800 GPH (3028 LPH) | 3/4" (19mm) | 3/4", 3/4", 1", 1-1/2" (19, 19, 25, 29, 38mm) | 8-1/4" x 11-1/4" x 5-1/2" 210 x 241 x 140mm |
| 98A-24 | Multi-Port Inlet Pump 800 GPH (3028 LPH) 24-volt | 3/4" (19mm) | 3/4", 3/4", 1", 1-1/2" (19, 19, 25, 29, 38mm) | 8-1/4" x 11-1/4" x 5-1/2" 210 x 286 x 140mm |

Water Puppy Shower Drain Pump

Good flow rate, continuously rated pump.

- 8 gpm (32 lpm) at 10ft (3m) total head.
- Self-priming up to 4ft (1.2m) allows mounting above wet bilges.
- Shower debris presents no problem to this bronze bodied, flexible impeller design.
- Simple design means fewer wearing parts - all user serviceable.
- Complies with USCG 183.410 and ISO 8846 MARINE (Ignition Protection).
- ISO 8849 MARINE (Bilge Pump Standard).

- Fitting:** Connections for 1/2" male threaded fittings, and for 1" (25mm) ID hose.
- Size:** 7 1/2" long x 4 3/4" wide x 3 3/8" high (19cm x 12cm x 8cm).
- Weight:** 3kg (6 1/2 lb).
- 18660-0123** 12 volt DC model, fuse 15 amp (Non CE).
- 6303-0003-P** Replacement Nitrile Impeller.

For service and spare parts listing see [page 192](#).



PAR 37202 Series 2 Shower Drain Pump

Quiet running and corrosion resistant bilge, shower and sink drain pump.

- 3.4 gpm (13 lpm) open flow output at 3ft (1m) head.
- Self-priming up to 6ft (2m) vertical lift allows mounting above wet bilges.
- Quiet running.
- Corrosion resistant materials throughout.
- Complete with Pumpgard.
- Diaphragm design allows extended dry running.
- Complies with USCG 183.410 and ISO 8846 MARINE (Ignition Protection).

- ISO 8849 MARINE (Bilge Pump Standard).
- Fitting:** Connections for 19mm (3/4") ID hose.
- Size:** 5 1/4" wide x 5 3/4" high x 7 1/2" deep (13cm x 15cm x 19cm).
- Weight:** 5 1/2 lb (2.5kg).
- 37202-2012** 12 volt DC model, fuse 7 amp.
- 37202-2024** 24 volt DC model, fuse 5 amp.
- 50095-1000** Service Kit.

For service and spare parts listing see [page 188](#).



Speciality Products



High Speed Inflator/Deflator

The Rule High Speed inflator/deflator inflates a typical 4 man dinghy in as little as one to two minutes. Adjustable nozzles have been included for most inflatables and valve types. Inflator kit available for replacement adapters.

- 12 volt, 25 amp, maximum 2.6psi, 20 CFM.
- 10ft. (3m) cable length with battery clips.
- Pre-lubricated and sealed bearings to ensure long life.
- Robust fan drive belt for long life.
- Adjustable nozzles for most inflatables and valve types included.
- Grip pad for one handed operation.
- For replacement adapters, Model ID20K Inflator Kit available.

ID20 Inflator/Deflator with Adapters.
ID20K Replacement Adaptor Kit.



Portable Pumps

Constructed of sturdy ABS plastic with comfort-grip handle providing smooth firm strokes. Available in 24" (610mm) with hose and 48" (1220mm) with hose.

- 165** 8 gpm (30 lpm) - with 24" (610mm) hose.
- 168** 10 gpm (38 lpm) - with 48" (1219mm) hose.



General Purpose Centrifugal Pumps

The Rule General Purpose Pump is designed for use as a washdown pump and/or to circulate water to your livewell tanks. Heavy duty construction for commercial or pleasure boat use. 1½" (38mm) inlet and 1½" (38mm) discharge outlet. The Rule General Purpose Pump must be mounted below the waterline. It does not deliver high pressure, nor is it self priming. It pumps lots of water but at low pressure. 12 volt DC unless noted.

- NON-AUTOMATIC
- 17A** 3800 gph (14380 lph).
- 18A** 3700 gph (14002 lph) (24 volt).
- 19A** 3700 gph (14002 lph) (32 volt).

Speciality Products



12210-Series Utility Pumps - 115v



The 12210-Series Pumps are the most compact self-priming flexible impeller 115 volt AC Utility Pumps Jabsco offers.

- Bronze Pump head.
- 3.4 gpm (12.8 lpm) output at 10ft (3m) total head.
- Replaceable brushes.
- Intermittent duty cycle.
- 6 foot power cord with grounded plug.

Fitting: 3/8" NPT internal thread.
Size: 6 7/8" long x 4" wide x 3 5/8" high.
(175mm x 102 mm x 92 mm).

Weight: 5lb (2.3kg).

- 12210-0001** 115 volt AC with Neoprene Impeller (Non CE).
- 12210-0003** 115 volt AC with Nitrile Impeller (Non CE).
- 1414-0001** Replacement Neoprene Impeller.
- 1414-0003** Replacement Nitrile Impeller.

18610-Series Utility Pumps - 115v



The 18610-Series pumps are very versatile moderate flow rate, portable self-priming Utility Pumps suitable for continuous duty applications.

- Bronze pump head.
- 5.8 gpm (22 lpm) output at 10ft (3m) total head.
- Continuous duty motor with thermal over-load protection.
- 8 foot power cord with grounded plug.
- Convenient carrying handle.

Fitting: 1/2" NPT internal thread.
1" hose barbed O.D.
Size: 9" long x 5 5/8" wide x 7 5/16" high.
(229mm x 143mm x 186mm).

Weight: 12lb (5.4kg).

- 18610-0001** 115 volt AC with Neoprene Impeller (Non CE).
- 18610-0003** 115 volt AC with Nitrile Impeller (Non CE).
- 7273-0001** Replacement Neoprene Impeller.
- 7273-0003** Replacement Nitrile Impeller.

11810-Series Utility Pumps - 115v



The 11810-Series pumps are robust, portable self-priming Utility Pumps with a substantial flow rate.

- Bronze Pump head.
- 9.5 gpm (36 lpm) output at 10ft (3m) total head.
- Continuous duty motor with thermal over-load protection.
- 8 foot power cord with grounded plug.
- Convenient Carrying Handle.
- Available with Open Drip Proof or Totally Enclosed Fan Cooled Motor.

Size: 10 1/2" long x 7 1/4" wide x 7 3/4" high.
(267mm x 184mm x 197mm).

Weight: 20lb (9.1kg) ODP Motor.
25lb (11.4kg) TEFC Motor.

Fitting: 1/2" NPT Internal thread.
3/4" Garden Hose Thread O.D.

- 11810-0003** 115 volt AC with Nitrile Impeller and Open Drip Proof Motor (Non CE).
- 11810-0011** 115 volt AC with Neoprene Impeller and totally enclosed Fan Cooled Motor (Non CE).
- 11810-0013** 115 volt AC with Nitrile Impeller and totally enclosed Fan Cooled Motor (Non CE).
- 5929-0001** Replacement Neoprene Impeller.
- 5929-0003** Replacement Nitrile Impeller.

6050-Series Utility Pumps - 115v



The 6050-Series pumps are the highest capacity, self-priming, portable Utility Pumps offered by Jabsco.

- Convenient carrying handle.
- Bronze Pump head.
- 23 gpm (87 lpm) output at 10ft (3m) total head.
- Continuous duty motor with thermal over-load protection.
- Motor wired to operate with 115v AC and can be converted to 230v AC.
- Available with Open Drip Proof or Totally Enclosed Fan Cooled Motor.
- 8' power cord with grounded plug.

Fitting: 1" NPT Internal thread.
Size: 13" long x 8" wide x 8 5/8" high.
(229mm x 143mm x 186mm).

Weight: 35.5lb (16.1kg).

- 6050-0003** 115 volt AC with Nitrile Impeller and Open Drip Proof Motor (Non CE).
- 6050-0013** 115 volt AC with Nitrile Impeller and totally enclosed Fan Cooled Motor (Non CE).
- 6056-0003** Replacement Nitrile Impeller.

Explosion hazard. Pumps with AC motors can spark. Explosion and death can occur. Do not use where flammable vapors are present.





110 Volt Pump

Designed to remove water from basements, garages, stairwells, utility rooms, boats, and other utility applications. Available in Non-Automatic & Automatic versions utilizing standard 110 volt AC current. UL Listed.

Not available in Europe.

A53S

Automatic, 1800 gph (6814lph), 8' (2.4m) cord, Garden Hose & Rigid Pipe, #57 adapters.

A53S-24

Automatic, 1800 gph (6814 lph), 24' (7.3m) cord, Garden Hose & Rigid Pipe, #57 adapters.

A53D

1800 gph (6814 lph), 8' (2.4m) cord, Garden Hose & Rigid Pipe, #57 adapters.



Pool Cover Pump with Leaf Protector

The finest pool cover pump ever designed. Features a powerful 1800 GPH automatic submersible pump with a specifically designed strainer base that filters out leaves and debris. Installs easily with garden hose. UL Listed.

Not available in Europe.

H53SP-24

1800 gph (6814 lph) 24' cord.

290

Pool Cover Strainer Base.

*Patent Pending.



500/1100 GPH Pool Cover Pump

Fully automatic and utilizes the same water sensing technology as the flagship 1800 gph model. Place the pump on the pool cover where water accumulates, attach a garden hose to it and plug it into a 110v grounded outlet. The pump turns on when needed, and the specially designed wide strainer base filters out leaves and debris.

27PP*

1100 gph (4162 lph) 24' cord.

25PP*

500 gph (1893 lph) 24' cord.

1000830-01

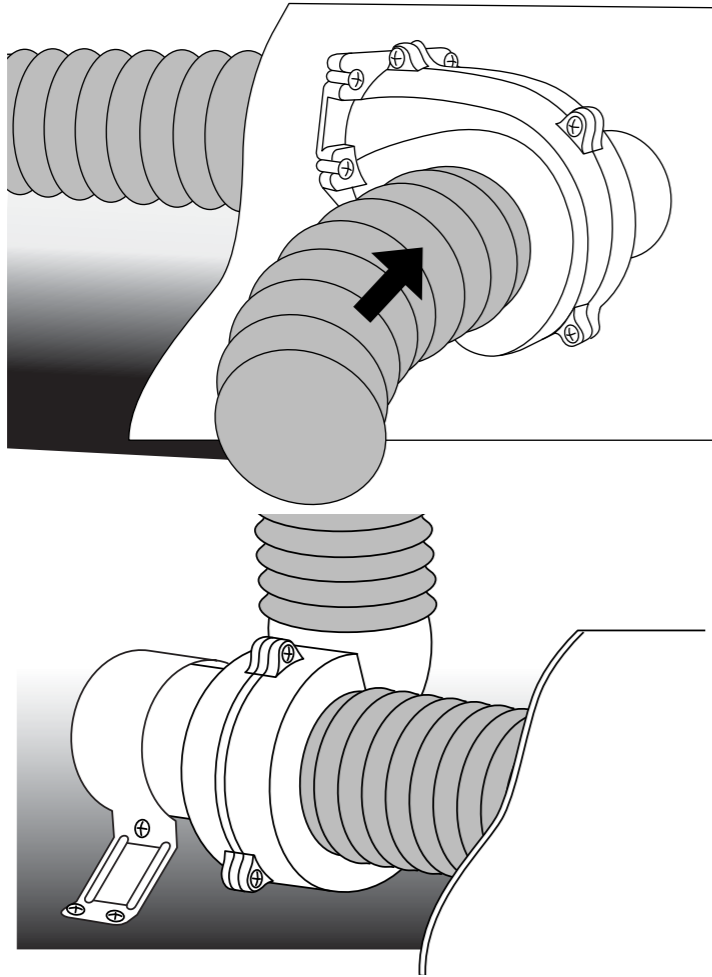
500/1100 gph (1893/4162 lph) Pool Cover Strainer Base.

**27PP and 25PP are not available in Europe.*

Introduction

Jabsco DC blowers are designed to remove fumes from the engine compartments of gasoline powered boats prior to start-up and therefore conform to ISO 8846 MARINE and USCG Regulations for ignition protection. They are listed as N.M.M.A. type accepted and comply with ISO 9097 MARINE and are CE marked. AC models are **not** ignition protected.

Jabsco blowers can also be used for air intake or extraction in galleys, bilges, accommodation and head compartments. Only the heavy duty blowers are designed for continuous duty operation in commercial or heavy use applications. Blowers should not be installed close to sources of direct heat exceeding 180°F (55°C).



Flangemount Blowers

Flangemount Blowers are of a radial design which gives the highest output in more complex installations with longer ducting lengths and/or multiple bends in the ducting. They are generally mounted directly onto a flat bulkhead using a mounting collar to connect to the discharge ducting. This allows a very neat installation on an engine room bulkhead.

Flexmount Blowers

Flexmount Blowers are also of radial design but are installed by attaching a mounting collar around the motor (which is supplied with the blower) to any convenient solid surface. They can be rotated inside the collar to allow the shortest ducting lengths and most convenient routings in confined spaces. Both ports are designed for slip-on flexible ducting connections.

Blower Selection Guide

| Engine Compartment Volume | Ducting Size | Type | Voltage | Blower Model |
|--|--------------|---------------------------|---------|-------------------|
| 0-2m ³ (0-75ft ³) | 3" (75mm) | Flangemount | 12v | 35115-0020 |
| | 3" (75mm) | Flexmount | 12v | 35515-0010 |
| 2-2.5m ³ (75-90ft ³) | 3" (75mm) | Flangemount | 12v | 34739-0010 |
| | 3" (75mm) | Flangemount | 24v | 34739-0020 |
| | 3" (75mm) | Flexmount | 12v | 36740-0000 |
| | 3" (75mm) | Flexmount | 12v | 36740-0010 |
| 2.5-5m ³ (90-220ft ³) | 4" (100mm) | Flangemount | 12v | 35400-0000 |
| | 4" (100mm) | Flangemount | 24v | 35400-0010 |
| | 4" (100mm) | Flexmount | 12v | 35440-0000 |
| | 4" (100mm) | Flexmount | 24v | 35440-0010 |
| | 4" (100mm) | dc Flangemount Heavy Duty | 12v | 35760-0092 |
| | 4" (100mm) | dc Flangemount Heavy Duty | 24v | 35760-0094 |
| | 4" (100mm) | dc Flexmount Heavy Duty | 12v | 35770-0092 |
| | 4" (100mm) | dc Flexmount Heavy Duty | 24v | 35770-0094 |

This guide is based on International Standard ISO 11105 Small craft - Ventilation of gasoline engine and/or gasoline tank compartments which specifies minimum airflow for given engine compartment size.

Heavy Duty Radial Blowers



Heavy Duty Flangemount Blowers



Heavy Duty Blowers are designed for applications such as commercial or high use engine room ventilation and extraction where a long life requirement demands heavy duty motors with long brush life. Built to provide the same high outputs as our standard specification blowers.

- 5,000 hr motor life for the heaviest of applications.
- Continuous duty.
- Efficient high volume air flow.
- Outlet flange mounts directly on bulkhead.
- Slip on inlet ducting connection.
- Low current draw.
- Corrosion resistant materials throughout.
- Dimensionally stable quiet running Delrin rotors.

- Complies with USCG 183.410 and ISO 8846 MARINE (Ignition Protection) - DC only.
- ISO 9097 MARINE (Electric Fans).
- Fitting:** 4" (100mm) ducting.
- Size:** 9 1/2" long x 8 3/4" wide x 9" high (24cm x 22cm x 23cm).
- Weight:** 6lb (2.7kg) DC, 8lb (3.6kg) AC.
- For 250cfm (7.1m³/min) output - 12, 24, 115V.**
- 35760-0092** 12 volt DC flangemount, fuse 15 amp.
- 35760-0094** 24 volt DC flangemount, fuse 10 amp.
- 36760-0115*** 115 volt AC 60Hz flangemount, fuse 2 amp.

**Not available in Europe.*

Heavy Duty Flexmount Blowers



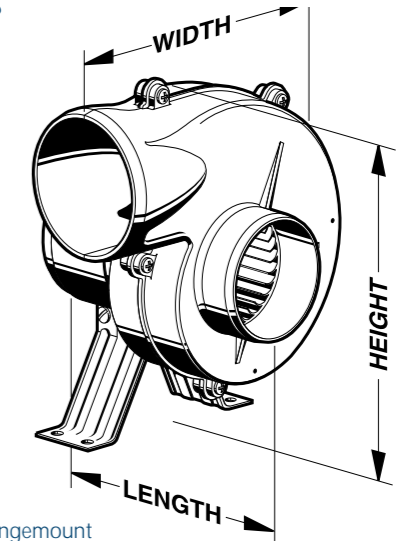
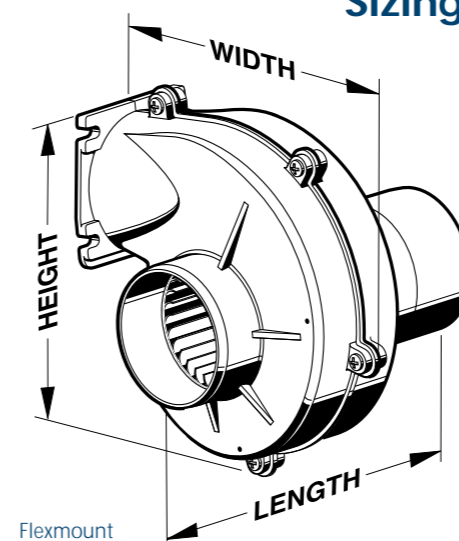
Flexmount Blowers are built to the same high specification as the Heavy Duty Flangemount Blowers for use as air intake or extraction systems in engine rooms, fuel compartments, galleys or heads.

- 5,000 hr motor life for the heaviest of applications.
- Continuous duty.
- Efficient high volume air flow.
- Flex mounting for 360° adjustable outlet.
- Slip on inlet ducting connections.
- Low current draw.
- Corrosion resistant materials throughout.
- Dimensionally stable quiet running Delrin rotors.
- Complies with USCG 183.410 and ISO 8846 MARINE (Ignition Protection) - DC only.
- ISO 9097 MARINE (Electric Fans).

- Fitting:** 4" (100mm) ducting.
- Size:** 9" long x 9 1/2" wide x 9 3/4" high (23cm x 24cm x 25cm).
- Weight:** 7lb (3.2kg) DC, 9lb (4.1kg) AC.
- For 250cfm (7.1m³/min) output - 12, 24, 115V.**
- 35770-0092** 12 volt DC flexmount, fuse 15 amp.
- 35770-0094** 24 volt DC flexmount, fuse 10 amp.
- 36770-0115*** 115 volt AC 60Hz flexmount, fuse 2 amp.

**Not available in Europe.*

Sizing Definitions



Radial Blowers



Flangemount Blowers

Range of high volume air intake or extraction blowers for engine room, fuel compartment, galley or heads.

- Outlet flange mounts directly on bulkhead.
- Slip-on inlet ducting connection.
- Low current draw.
- Dimensionally stable quiet running Delrin rotors.
- Corrosion resistant materials throughout.
- Complies with USCG 183.410 and ISO 8846 MARINE (Ignition Protection).
- ISO 9097 MARINE (Electric Fans).

For 105cfm (3m³/min) output.

Fitting: 3" (75mm) ducting.

Size: 6³/₄" long x 4³/₄" wide x 5¹/₂" high (17cm x 12cm x 14cm).

Weight: 4lb (1.8kg).

35115-0020 12 volt DC flangemount, fuse 6 amp.

For 150cfm (4.2m³/min) output.

Fitting: 3" (75mm) ducting.

Size: 8" long x 6³/₄" wide x 7³/₄" high (20cm x 17cm x 20cm).

Weight: 5lb (2.3kg).

34739-0010 12 volt DC flangemount, fuse 10 amp.

34739-0020 24 volt DC flangemount, fuse 5 amp.

For 250cfm (7.1m³/min) output.

Fitting: 4" (100mm) ducting.

Size: 8³/₄" long x 8³/₄" wide x 9" high (22cm x 22cm x 23cm).

Weight: 6lb (2.7kg).

35400-0000 12 volt DC flangemount, fuse 15 amp.

35400-0010 24 volt DC flangemount, fuse 7.5 amp.

Flexmount Blowers

Range of high volume air intake or extraction blowers for engine room, fuel compartment, galley or heads.

- Flexmounting for 360° adjustable outlet.
- Slip-on inlet and outlet ducting connections.
- Low current draw.
- Dimensionally stable, quiet running Delrin rotors.
- Corrosion resistant materials throughout.
- Complies with USCG 183.410 and ISO 8846 MARINE (Ignition Protection).
- ISO 9097 MARINE (Electric Fans).

For 105cfm (3m³/min) output.

Fitting: 3" (75mm) ducting.

Size: 6³/₄" long x 5" wide x 5¹/₂" high (17cm x 13cm x 14cm).

Weight: 3¹/₂lb (1.6kg).

35515-0010 12 volt DC flexmount, fuse 6 amp.

For 140cfm (4.0m³/min) output.

Fitting: 3" (75mm) ducting.

Size: 8¹/₄" long x 7³/₄" wide x 9" high (21cm x 20cm x 23cm).

Weight: 5lb (2.3 kg).

36740-0031 115 volt AC flexmount, fuse 1.25 amp.

For 150cfm (4.2m³/min) output.

Fitting: 3" (75mm) ducting.

Size: 8" long x 8¹/₄" wide x 9" high (20cm x 21cm x 23cm).

Weight: 5¹/₂lb (2.5kg).

36740-0000 12 volt DC flexmount, fuse 10 amp.

36740-0010 24 volt DC flexmount, fuse 5 amp.

For 250cfm (7.1m³/min) output.

Fitting: 4" (100mm) ducting.

Size: 9¹/₈" long x 9³/₁₆" wide x 9⁵/₈" high (23.2cm x 23.4cm x 24.5cm).

Weight: 7lb (3.2kg).

35440-0000 12 volt DC flexmount, fuse 15 amp.

35440-0010 24 volt DC flexmount, fuse 7.5 amp.

In-line Blowers



In-line Blowers

Rule® In-line Blowers provide ventilation for bilges, engine compartments, galleys and heads. Designed for efficient, high output operation, these blowers feature our exclusive front and rear shaft seals and corrosion resistant motor housings for long life. Compact and easily installed on any flat surface, Rule® In-line Blowers provide higher air flow and lower amp draw.

- Efficient high volume air flow.
- Quiet operation.
- Low amp draw.
- Slip on inlet and outlet ducting connections.
- Sealed motor shaft for moisture protection.
- Corrosion resistant nickel plated motor housing.

- ABYC - H2; ISO 9097.
- IMCI (CE).
- N.M.M.A. type accepted.
- USCG 183.410 Compliant; Ignition protected.

Fitting: 3" (75mm) ducting

Size: 5" long x 3" wide x 3³/₁₆" high (12.7cm x 7.6cm x 8.1cm)

140 13.6 volt, fuse 4 amp.
140-24v 27.2 volt, fuse 2.5 amp.

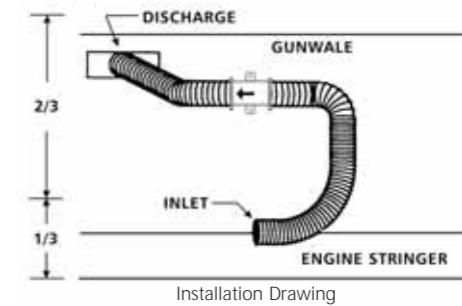
Fitting: 4" (100mm) ducting

Size: 6" long x 4" wide x 4³/₁₆" high (15.2cm x 10.2cm x 10.6cm)

240 13.6 volt, fuse 4 amp.
240-24v 27.2 volt, fuse 2.5 amp.

This guide is based on International Standard ISO 11105 for small craft - ventilation of gasoline engine and/or gas tank compartments which specifies minimum airflow for given engine compartment size.

| Engine Compartment Volume | Ducting | Type | Voltage | Blower Model |
|--|---------|---------|---------|--------------|
| 0-75ft ³ (0-2m ³) | 3" | In-Line | 12v | 140 |
| | 3" | In-Line | 24v | 140-24v |
| 75-90ft ³ (2.5-5m ³) | 3" | In-Line | 12v | 140 |
| | 3" | In-Line | 24v | 240-24v |
| 90-220ft ³ (2.5-5m ³) | 4" | In-Line | 12v | 240 |
| | 4" | In-Line | 12v | 240-24v |



Introduction

A marine searchlight has to be capable of performing a range of tasks from locating buoys to illuminating a narrow channel and occasionally, searching for a man overboard. Therefore it needs to be designed to offer the best combination of beam spread (width) and intensity (length), for both shorter and longer range work. Typically, our spot beams have a 7° beam spread as opposed to 40° on a flood beam and will consequently reach at least 3 times further.

We quote performance of our searchlight range in two ways; Candlepower and Lux. Candlepower is a useful guide to actual light produced but does not measure the efficiency of reflector design to project that light at the target. The most relevant comparison guide is LUX, which is the measurement of actual light available at a given distance. In order to be able to distinguish a reasonable level of detail, a level of one Lux is generally considered to be necessary.

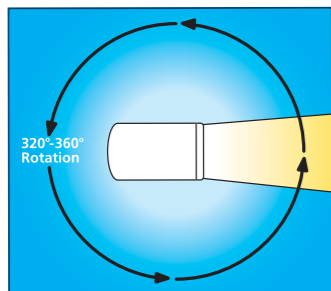
| Model No | Description | Range at 1 Lux | Candle Power |
|------------|----------------|---------------------|--------------|
| 60020 | 135 SL RCL | 865ft (262 Metres) | 100,000 |
| 61050 | 155 SL RCL | 885ft (268 Metres) | 100,000 |
| 62026H | 5" (130mm) RCL | 990ft (300 Metres) | 72,000 |
| 60010 | 255 SL RCL | 1040ft (315 Metres) | 200,000 |
| 60080 | 146 SL RCL | 1275ft (386 Metres) | 175,000 |
| 63022 | 6" (150mm) RCL | 1380ft (418 Metres) | 200,000 |
| 63042 | 6" (150mm) RCL | 2210ft (680 Metres) | 600,000 |
| 62040-4002 | 7" (180mm) RCL | 1380ft (418 Metres) | 230,000 |
| 6323 | 233 SL | 1452ft (443 Metres) | 200,000 |
| 62042 | 8" (200mm) RCL | 2375ft (719 Metres) | 500,000 |

Searchlight Performance Data

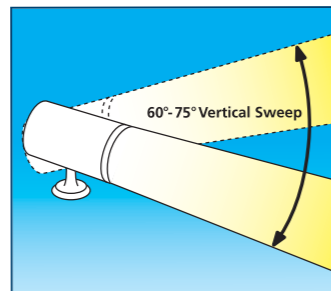


Remote Control Lights

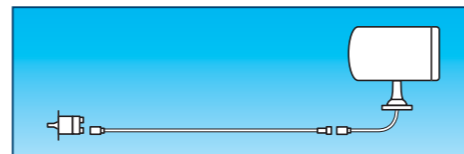
The advantage of the Remote Control is that it allows you to direct the light in the best location for maximum effectiveness. They are an increasingly popular addition on power boats, helping locate buoys, moorings and channel markers. Control is by joystick or touchpad. Secondary remote control kits can be bought for most models which allow control from either the flybridge or main helm.



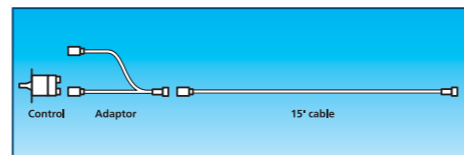
320°-360° Continuous



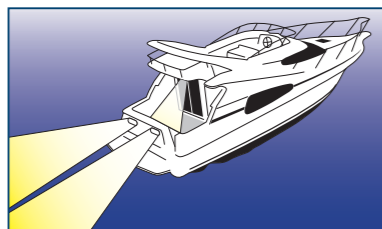
40°-75° Vertical Sweep



Control & 15' cable included with all Remote Control Lights, Extension Cables also available.



Dual Station Kits also available.



Floodlights

Bracket mounted floodlights give good service in deck illumination, especially on small fishing boats and commercial craft.

Flush mount floodlights provide a clean installation ideally suited for leisure craft. Two beam shapes are available, trapezoidal for deck illumination with sharp beam pattern edges and flood for deck illumination and transom mouting with diffused beam pattern edges. In each case bulb adjustment allows the beam to be directed to the required area.

Remote Control



233 SL Dual Beam Searchlight

Our new innovative searchlight has a clean, modern look with a multitude of new features. The quick release bayonet fitting and wireless remote makes installation extremely easy and significantly reduces costly cabling. The Dual 55w Halogen bulbs give in excess of 200000CP and the patented focus mechanism allows the beam pattern to be progressively moved from a high intensity spot to a wide angle flood. Up to 3 additional wireless controllers can be added with out the need for a junction box for multi station control installation. 1 lux at 1452ft (443m) with 200000 Candle Power (spot beam pattern).

- 200,000 Candlepower.
 - Continuous 360 degree range.
 - Waterproof Wireless electronic control system.
 - Quick release bayonet base.
 - Spot to Flood – and any beam configuration in-between.
 - Fast and slow speeds.
 - Auto sweep function – 10 degrees each side of initial spot.
 - 27 degree vertical range.
- Size:** 9³/₈" (24cm) wide x 9⁵/₈" (24cm) long x 8" (20cm) high.
- Weight:** 6lb (2.7kg).
- 60233-0012** 12 volt DC, fuse 10 amp.
60233-0024 24 volt DC, fuse 5 amp.



Wireless Remote Control - Additional Control Station

This wireless control serves as both the primary control and additional controls.

63233-1224 12/24 volt DC (233 SL).

- Up to four controls can be mounted from various positions on the boat eliminating costly cable installations.
- Searchlight can be operated from any control panel without need for selector panel.



6" (150) RC Searchlight

Brilliant Remote Control Searchlights with digital multi-function processor control, plus optional xenon HID (High Intensity Discharge) light source. Truly the ultimate searchlight.

Size: 11" long x 6" wide x 13" high (28cm x 15cm x 33cm) except 63020 - 9" (23cm) high.

Weight: 11lb (5kg)

- 1 lux at 2210ft (680 metres) - HID models with 600,000 candlepower spot beam.
- 1 lux at 1380ft (418 metres) - Sealed beam models with 200,000/50,000 candlepower spot/flood beam.
- Full 360° horizontal rotation, 70° vertical sweep.
- Water resistant electronic touch-pad remote control including joystick option.
- Automatic 20° sweep search feature.
- Two-speed movement - Fast for searching, Slow for pinpointing target.
- In emergency, offers automatic transmission of "SOS" distress signal through 360°.
- Complete with 15ft (4.5m) cable, with optional extension cables.
- Exceptionally durable chrome or brass housing and base (except 63020 - chrome on zinc base).
- Optional secondary electronic remote control panel for dual helm stations. Provides instant command from each panel without need to select station.

63022 and 63042



63020 Short Base

Remote Control

JABSCO

9

5" (130), 7" (180) & 8" (200)
RC Searchlights

Remote mounting searchlights electrically controlled from helm station for leisure, commercial and patrol crafts.

- lux at 990ft (300 metres) - 5" (130mm).
- lux at 1380ft (418 metres) - 7" (180mm).
- lux at 2375ft (719 metres) - 8" (200mm).
- 5" (130mm) has both spot and flood beams.
- 7" (180mm) and 8" (200mm) model have spot beam only.
- Single joystick controls both 70° vertical and 450° horizontal sweep.
- Variable speed control enables fast search and yet precise targeting.
- Optional secondary full control panel for dual helm stations.
- Internal brake system holds beam firmly on target.
- Heavily chromed all brass beam housing and base unit.
- 8ft (2.5m) wiring cable, with optional extension cables.

5" (130mm) Remote Control Searchlight

Size: 8³/₄" long x 5¹/₂" wide x 11" high (22cm x 14cm x 28cm).

Weight: 8lb (3.6kg).

62026-4002H 12 volt DC, 9 lux at 330ft (100m), fuse 10 amp.

62022-4002H* 12 Volt dc, 9 lux at 330ft (100m), fuse 10 amp. (short base).

67296-0000 Replacement Sealed Beam, 12 volt DC, 100/50,000 cp.

*Not available in Europe

7" (180mm) Remote Control Searchlight

Size: 11" long x 7" wide x 13" high (28cm x 18cm x 33 cm).

Weight: 9lb (4.1kg).

62040-4002 12 volt DC, 18 lux at 330ft (100m), fuse 20 amp.

62040-4006 24 volt DC, 18 lux at 330ft (100m), fuse 10 amp.

67262-0000 Replacement Sealed Beam, spot, 12 volt DC, 225,000/500,000 cp.

18753-0447 Replacement Sealed Beam, flood only, 24 volt DC, 230,000 cp.

8" (200mm) Remote Control Searchlight

Size: 11" long x 8¹/₄" wide x 14¹/₄" high (28cm x 21cm x 36 cm).

Weight: 11lb (5kg).

62042-4006 24 volt DC, 52 lux at 330ft (100m), fuse 10 amp.

98040-0520 Replacement Sealed Beam, 24 volt DC, 500,000 cp.



130 (5")



130 (5") Shortbase



180 (7") and 200 (8")

155 SL RC Searchlight

Our leading light for style, performance and value. Sweeping curves complement the latest pleasurecraft profiles. Fingertip control of the watertight halogen sealed beam will pick out hazards nearly 900ft away. Just check out the value!

- Easily replaceable 5" (130mm) halogen sealed beam delivers 100,000 candlepower.
- 1 lux at 885 ft (268 metres).
- Full 360° horizontal rotation, 75° vertical sweep.
- Complete with joystick remote control (12 volt DC model) or optional electronic touch-pad remote control including joystick (12/24 volt DC).
- Electronic control includes automatic 20° sweep feature, two speed movement - Fast for searching, Slow for pinpointing target, plus automatic transmission of "SOS" distress signal through 360° in emergency (12/24 volt DC model only).

- Complete with 15ft (4.5m) cable, with optional extension cables.
- Tough thermoplastic housing and base.
- Optional secondary remote control panel for dual helm stations - Instant command from each panel without need to select station (12/24 volt DC model only).

Size: 6³/₈" wide x 8" long x 8" high (16cm x 20cm x 20cm).

Weight: 5lb (2.3kg).

61050-0012 12 volt DC, fuse 10 amp.

61050-1224 12/24 volt DC, fuse 10 amp (electronic control).

18753-0528 Replacement sealed beam 12/24 volt DC, 100,000 cp.



Remote Control

135 SL RC Searchlight

A remote control searchlight, developed with the 20 to 50ft (7-15m) powerboat in mind, with many benefits of existing units at a greatly reduced cost.

- 1 lux at 865ft (262 metres).
- Easily replaceable halogen sealed beam delivers 100,000 candle power.
- Supplied complete with joystick remote control.
- Optional secondary full control panel for dual helm stations.

- 320° horizontal rotation, 75° vertical sweep.
- All materials are non-corrosive.
- Complete with 15ft (4.5m) cable, with optional extension cables.

Size: 7" wide x 8¹/₈" long x 7⁷/₈" high (18cm x 18.5cm x 21cm).

Weight: 6lb (2.7kg).

60020-0000 12 volt DC, fuse 10 amp.

60020-0024 24 volt DC, fuse 5 amp.

18753-0178 Replacement sealed beam, 12/24 volt DC, 100,000 cp.



146 SL RC Searchlight

A high performance searchlight for medium sized yachts, remotely controlled from helm station.

- Easily replaceable halogen sealed beam delivers 175,000 candle power.
- 1 Lux at 1275ft (386 metres).
- Supplied complete with water resistant joystick remote control.
- Tough, corrosion resistant Lexan housing.
- Full, 360° horizontal rotation, 60° vertical sweep.
- Optional secondary full control panel for dual helm stations.

- Complete with 15ft (4.5m) cable, with optional extension cables.

Size: 8¹/₂" wide x 10¹/₈" long x 8¹⁵/₁₆" high (22cm x 26cm x 26cm).

Weight: 9lb (4kg).

60080-0012 146SL 12 volt DC, fuse 10 amp.

60080-0024 146SL 24 volt DC, fuse 5 amp.

18753-0455 Replacement Sealed Beam, 12/24 volt DC, 175,000 cp.



255 SL RC Searchlight

A stylish dual bulb searchlight for medium to larger yachts, remotely controlled from helm station.

- Easily replaceable halogen sealed beams deliver 200,000 candle power.
- 1 lux at 1040ft (315 metres).
- High tech design and styling for powerboats.
- Supplied complete with water resistant joystick remote control.
- Full, 360° horizontal rotation, 60° vertical sweep.
- Optional secondary full control panel for dual helm stations.
- Tough, weatherproof and corrosion resistant design.

- Complete with 25ft (7.5m) cable, with optional extension cables.
- Size: 10¹/₂" wide x 10¹⁵/₁₆" long x 8¹³/₁₆" high (27cm x 28cm x 23cm).

Weight: 21lb (9.6kg).

60010-2012 255SL 12 volt DC, fuse 10 amp.

60010-2024 255SL 24 volt DC, fuse 5 amp.

18753-0336 Replacement Sealed Beams, 12/24 volt DC, 100,000 cp. ea.



Remote Control



Wireless Remote Control

Adds wireless remote control to most* new or existing Jabsco Searchlight installations. It may be used as well as, or instead of, secondary remote control panels.

- True 8-way directional control with instant response.
- On/off and spot/flood selection (for applicable models) plus LED battery check.
- New searchlights may be installed for wireless only control.
- Up to 4 wireless remote controls may be used with one searchlight.

**Not suitable for use with 155SL (61050-1224) or 6" RC (12V or 24V)*

Size: Control: 3" long x 1³/₄" wide x 7¹/₈" deep (76mm x 45mm x 17mm).
Receiver: 4" long x 3" wide x 7¹/₈" deep (102mm x 79mm x 20mm).

Weight: Control: 0.09lb (0.04kg).
Receiver: 0.44lb (0.20kg).

60000-0000 Control c/w Receiver
12 volt DC.

60000-0024 Control c/w Receiver
24 volt DC.



Secondary Remote Control Kits

Secondary Remote Control kits allow searchlights to be operated from both upper and lower helm stations. Kit includes secondary control panel, station selector panel V splices and butt connectors.

Secondary harness must be selected from Extension Harness options.

43670-0005 12 volt DC (135 SL).
24 volt DC (135 SL).

43670-0004 12 Volt dc (146 SL, 255 SL, 155 SL, 5", 7", 8" RC).
24 volt DC (146 SL).

18753-0335 24 volt DC
(255 SL, 7", 8" RC).



Secondary Remote Control Kits (Electronic)

Secondary Remote Control kits allow searchlights to be operated from both upper and lower helm stations. Kit includes secondary control panel, Y-adaptor and 15ft (4.5m) cable.

Secondary harness must be selected from Extension Harness options.

- Can be operated from any control panel without need for selector station.

64044-0000 12/24 Volt dc (6" RC, 155 SL w/electronic control).



Extension Harness

Extension harnesses enable remote controls to be fitted further from the light than standard cables allow, and are needed to install secondary remote control kits.

- For 135 SL, 146SL, 155SL (12 volt DC), 255SL, 5" (130), 7" (180) RC models.

43990-0013 10ft (3m) Harness.

43990-0014 15ft (4.5m) Harness.

43990-0015 25ft (7.6m) Harness.

43990-0016 35ft (10.7m) Harness.



Extension Harness (Electronic Controls)

Extension harnesses enable remote controls to be fitted further from the light than standard cables allow, and are needed to install secondary remote control kits.

- For 155 SL (12/24 Volt dc) and all 6" (150mm) RC models.
- For 233 SL (12/24 Volt dc).

64042-1011 10ft (3m) Harness.

64042-1007 15ft (4.5m) Harness.

64042-1008 25ft (7.6m) Harness.

64042-1009 50ft (15.2m) Harness.



Xenon Floodlights

Bracket mounted xenon floodlights that deliver 4 times the light output of halogen floodlights and last up to 5 times longer. Typically used for deck lighting, emergency lighting, launching and docking, and commercial fishing boat applications.

- Compact size.
- 5000 hour life.
- 4 times brighter than halogen.
- Completely sealed from moisture and dirt.
- Direct replacement for most add-on incandescent and halogen lamps.
- Isolation mounted to withstand vibration.

Size: 7" high x 5" wide x 6" long
(17cm x 13cm x 15cm).

Weight: 3.5lb (1.6kg).

63142-0012 12 volt DC HID (xenon).

63142-0024 24 volt DC HID (xenon).



Deck Floodlights - Ultra Bright Model

A range of compact, purpose designed floodlights for deck, cockpit or boarding point on leisure, commercial, fishing and safety craft available in two sizes.

- Special trapazoidal beam pattern, designed to be mounted above one end of horizontal area to be illuminated, spreads light evenly over the surface.
- Sharp cut off enables accurate selection of area to be illuminated minimizing stray light.
- Blue Bulb technology improves visibility in low light conditions.
- Sealed beam tungsten halogen bulb, with 450 hour average life.
- Choice of white or black tough polypropylene housing.
- Stainless steel universal mounting bracket.

Size: 4" long x 6" wide, (15.5cm x 10cm).
Weight: 1.4lb (0.7kg).

- 45900-4000*** 12 volt DC Ultra Bright white, fuse 6 amp.
- 45900-5000*** 12 volt DC Ultra Bright black, fuse 6 amp.
- 45900-0000** 12 volt DC white, fuse 6 amp.
- 45900-2000*** 12 volt DC black, fuse 6 amp.
- 45900-0001** 24 volt DC white, fuse 3 amp.
- 45903-4000*** Replacement Sealed Beam, 12 volt DC, 65 watt.
- 45903-0000** Replacement Sealed Beam, 12 volt DC, 30 watt.
- 45903-0001** Replacement Sealed Beam, 24 volt DC, 60 watt.

Size: 3" long x 5" wide, (13cm x 8cm).
Weight: 1lb (0.5kg).

- 45900-1000** 12 volt DC white, fuse 6 amp.
- 45900-3000*** 12 volt DC black, fuse 6 amp.
- 45903-0002** Replacement sealed beam, 12 volt DC.

**Not available in Europe.*



NEW

Flush Mount Floodlights

The new Jabsco flush mount floodlight features a small footprint design with a dual gasket design to ensure weatherproof installations.

- Sealed beam "flood" provides a very even beam pattern with no hot spots.
- Clean edge cut-offs prevent stray lighting.
- Sealed beam 50 watt tungsten halogen bulb with 450 hour average life.
- Small footprint design.
- Tough, white U.V. stable housing will not "yellow".

- Weatherproof mounting gasket and cable seal for leak-free installation.
- Shock and vibration resistant construction.

Size: 4¹/₄" high x 6⁷/₁₆" wide x 2³/₁₆" deep (108mm x 232mm x 38mm).

Weight: 1.0lb (.45kg).

- 45930-2012** Floodlight with flood beam 12 volt DC, fuse 5 amp.
- 18753-0351** Replacement Flood Sealed Beam, 12 volt DC.



Flush Mount Floodlights unobtrusively light up deck, cockpit or boarding point.

- Available with two bulb types - flood (for glare free below deck mounting) or trapazoidal (for deck illumination).
- Easily adjustable light angle, up to 7° horizontally and 12° vertically.
- Sealed beam 50 watt tungsten halogen bulb, with 450 hour average life.
- Tough polypropylene housing.

Size: 8⁷/₁₆" long x 6⁹/₁₆" high x 3³/₁₆" deep (22.5cm x 17cm x 8cm).

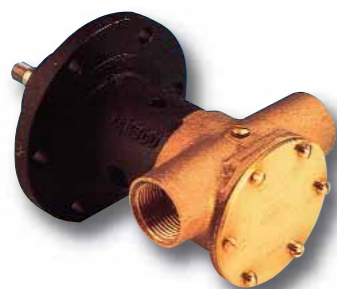
Weight: 3.3lb (1.5kg).

- 45960-0000** Floodlight with trapazoidal beam 12 volt DC, fuse 5 amp.
- 45960-0001** Floodlight with flood beam 12 volt DC, fuse 5 amp.
- 18753-0352** Replacement trapazoidal sealed beam, 12 volt DC.
- 18753-0351** Replacement flood sealed beam, 12 volt DC.



General Introduction

Jabsco original Flexible Impeller Pumps - Pedestal, Clutch & Engine Cooling



How it works:



Flexible vanes create increased volume when leaving the eccentric cam creating a vacuum thus drawing in liquid, instantly priming the pump.



As the flexible vanes rotate, the liquid is carried through the vanes from the inlet to outlet port, each successive vane drawing in liquid.



When the flexible vanes again contact the eccentric cam they bend with a squeezing action which provides a continuous, uniform discharge of liquid.

Features:

- Versatile:** The flexible impeller pump combines the priming feature of positive displacement type pumps with the general transfer ability of centrifugals. It will pump either thin or viscous liquids and can handle more solids in suspension than other types of rotary pumps. It operates at low or high speeds - can be mounted at any angle and pumps in either direction with equal efficiency.
- Self-Priming:** Pumps instantly, with dry suction, lifts up to 10ft (3m); up to 25ft (8m) when wetted. Permits cleaner, safer installations. No foot valve required.
- Simplicity:** One moving part - a tough, long-lived, wear-resistant flexible impeller, lubricated by the liquid being pumped. No metal-to-metal pumping action - no gears to jam, clog or become noisy.
- More Capacity:** Flexible impeller pumps, in general, require less space because they deliver greater flow for weight, size and price than other types of pumps.

Pressure Ranges

Standard Impellers

Suitable for continuous operation up to the following limits:

- $\frac{1}{4}$ " or $\frac{3}{8}$ " and $\frac{1}{2}$ " port sizes to 40ft (12m) head, 17.3psi (1.2 bar).
- $1"$ to $2"$ port sizes to 70ft (20m) head, 30.3psi (2 bar).

Special high pressure impellers

Available for certain models. Impeller life will be extended by operating in the lower portion of recommended pressure range.

Temperature Range

- 45° to 180° F (7° - 80° C)

For fluids less than 45° F (7° C) consult with the factory.

Operating Speeds

Plain Bearing Pumps

- Do not exceed 2100 RPM.

Ball Bearing Pumps

- $\frac{1}{4}$ " or $\frac{1}{2}$ " ports: 3600 RPM max.
- $\frac{3}{4}$ " or $1"$ ports: 3000 RPM max.
- $1\frac{1}{4}"$ ports: 2200 RPM max.
- $2"$ ports: 2200 RPM max.

The data given for the engine cooling systems and pump selection is for guidance only. It does not cover High Performance Engines. You should always consult the Engine Mariner.

Engine Cooling Introduction

10

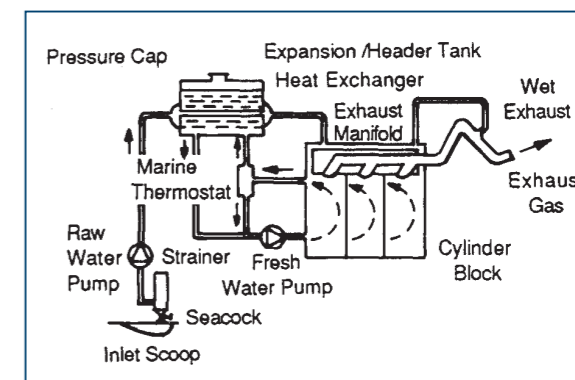
It is important that Jabsco engine cooling pumps and systems are matched during the design of ship's engine installations. Once installed, safety margins must be safeguarded, i.e. the emphasis must be on PREVENTIVE, not corrective maintenance.

Cooling systems most commonly used for marine propulsion engines are:

- Heat exchanger cooling
- Keel cooling
- Direct cooling

Heat Exchanger Cooling

This is also known as a closed system, i.e. the primary cooling circuit is isolated from the surrounding atmosphere. A centrifugal pump circulates fresh, treated water through the cylinder block passages and around the tube stack of a heat exchanger. The Jabsco raw water pump draws raw water (from sea or lake) through the ship's hull inlet and pumps it through the heat exchanger tubes where it removes the heat transmitted from the primary circuit before discharging overboard.



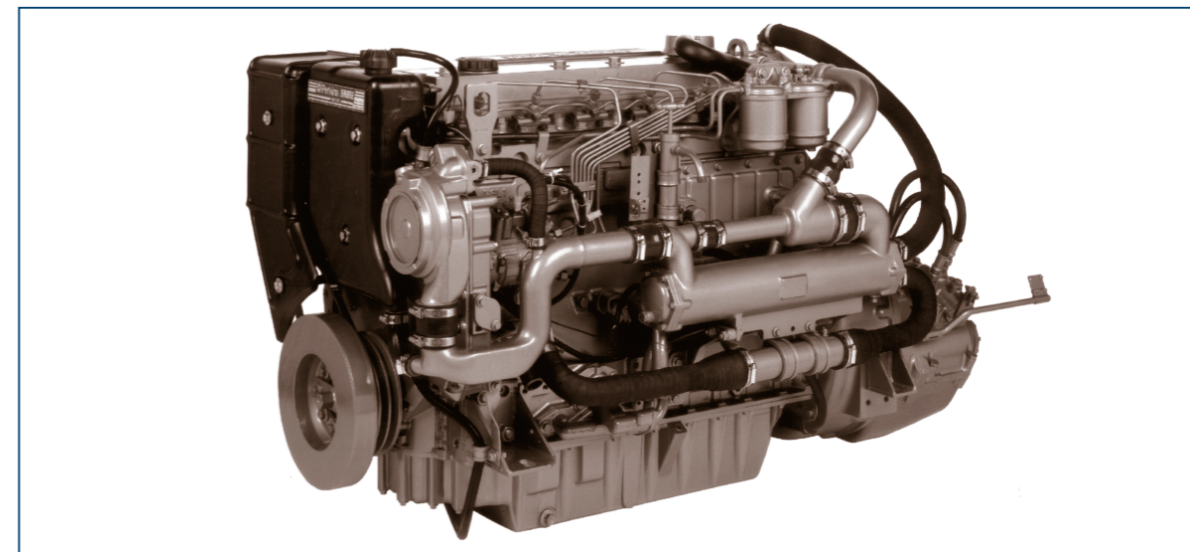
The heat exchanger, which can be single-pass or two-pass type, should be capable of handling approximately 10% more than the maximum engine heat rejection rate and may be fitted separately or as an integral part of the expansion/header tank. This tank allows venting of air or combustion gases absorbed by the cooling water during engine operation and provides a positive pressure on the fresh water pump inlet. This pump, fitted in the coldest part of the primary circuit, has a capacity which will maintain a water temperature differential of approximately 45° F (8° C) across the cylinder block at full load. The engine operating temperature is regulated by a marine thermostat to about 185° F (85° C) on most engines. To provide an adequate safety margin for commercial diesel engines, which may be expected to operate more than 2500-3000 hours per year, size and rpm of the Jabsco raw water pump should be selected to give a flow capacity of approximately 15 GPM for every 100 HP maximum engine load and rpm.

If an exhaust manifold is fitted in the raw water or fresh water circuit, the raw water pump flow capacity should be 10-15% higher.

Additional coolers, such as oil coolers, charge air coolers, must be fitted AFTER the pump but in a compromise between reliability, size and weight, and pump delivery. Head should be about 10-13 psi of water at maximum rpm.

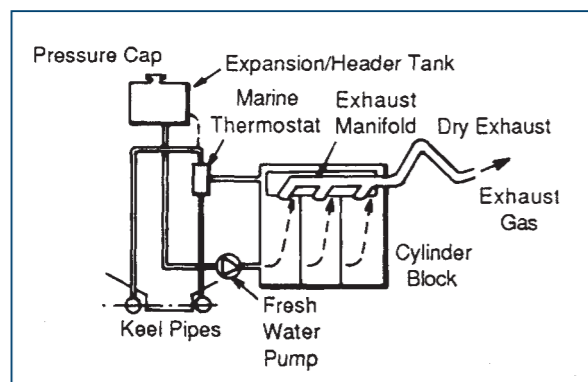
Safety margins in pump inlet systems, are extremely critical so any restrictions or bends, other than seacock and inlet strainers, are to be avoided at all costs (see also Suction Systems).

Raw water from the exhaust manifold is often injected into the exhaust pipe (AFTER an exhaust elbow to prevent raw water flowback into the cylinders) which may then be ducted through areas where a hot pipe would create a hazard. This is known as a WET EXHAUST system. In addition, mixing of water with exhaust gases will reduce exhaust noise. However, on small engines the raw water flow should not be less than $2\frac{1}{2}$ -4 GPM for adequate silencing.



10

95



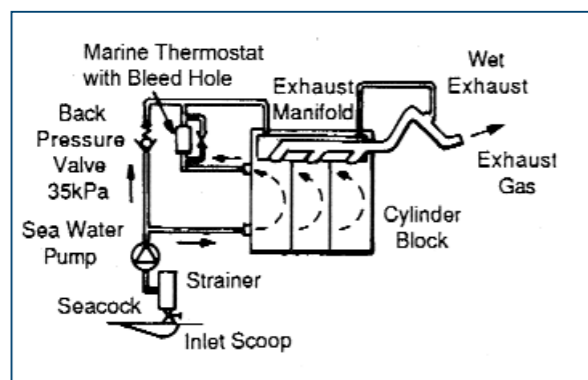
Keel Cooling

In principle this is similar to a heat exchanger cooled system but raw water circuit and heat exchanger have been replaced by pipes attached externally to the vessel's keel.

Pipe bore and surface area must be adequate for effective dissipation of heat from the primary circuit to sea or river water. In some installations where, due to system pressure losses through keel pipes, cylinder block and exhaust manifold, the flow capacity of the centrifugal circulating pump is insufficient, a Jabsco pump may be used (flow capacity approximately 30 GPM for every 100 HP at maximum engine load and rpm). Alternatively, the ship's steel hull may be used as the cooling surface and the heat transmitted directly to the surrounding sea or river water from a tank welded inside to the bottom.

The "dry" exhaust can be made a "wet" exhaust by a separate raw water pump.

The expansion/header tank may be fitted separately in which case it must be connected directly to the circulating pump inlet and the primary circuit adequately vented into the tank.



Direct Cooling

Raw water is pumped directly through the engine block. However, as the temperature of the water entering the block is ambient, the outlet temperature needs to be much lower than in an indirect cooled engine, to reduce the formation of scale and salt deposits and thermal stresses in the cylinder block.

Lower operating temperature means that engine performance will be considerably less efficient and direct cooling systems should therefore not be used on commercial craft engines.

For weekend pleasure craft engines which operate no more than 50-100 hours per year, reliability margins will probably be maintained for a number of years until deposits in the engine cooling passages will begin to affect heat transfer to the cooling water.

Engine operating temperature is best controlled by a marine thermostat, rather than a manually operated valve.

For cold engine start, the thermostat will be closed and most of the cooling water (about 10 GPM for every 100 HP at full load and speed) will bypass the engine via a spring loaded back pressure valve and discharge into the exhaust manifold. A small bleed hole in the thermostat will ensure a slow circulation of cooling water through the cylinder block to prevent 'hot spots' while the engine is warming up.

Safety Margins

The raw water flow capacities indicated earlier are for diesel engine cooling systems and include a safety margin of some 30% to ensure adequate engine cooling under adverse operating conditions.

As gasoline engines, unlike diesel engines, have a high heat rejection rate at idling speed, an increase in pumpflow capacity of some 10% at maximum rpm is recommended.

While flow capacities can be affected by salt deposits or scale in pipes due to operation in tropical regions, seawater pollution or age and wear of pumps and systems in general, this is usually a gradual process with ample warning that preventive maintenance becomes desirable.

Far more serious is a reduction in cooling water flow due to adverse conditions caused by inadequate system.

When marine vegetation such as seaweed gets stuck in seawater inlet strainers of insufficient mesh or hole size, this can cause a significant reduction of the cooling water supply to the pump.

On the other hand, no amount of pump flow capacity will safeguard against a sudden but total blockage, for example, a plastic bag covering up the hull inlet. System safety margin can be substantially increased by providing two separate hull inlets usually on either side of the keel joining the pump inlet pipe below the water line. In actual practice the likelihood of both inlets being covered simultaneously has been found to be insignificant.

As heat exchanger and cooler manufacturers' recommendations for a given engine performance and corresponding pump flow will include appropriate safety margins for minimum and maximum flow, it should be kept in mind that excessive water velocities through the heat exchanger pipes due to "over kill," i.e. fitting oversized cooling pumps, may cause pipe erosion and accelerated pump wear through excessive pump operating pressures.

Low water velocities through heat exchanger tubes, on the other hand, could result in the formation of sludge. Therefore, too small a pump (insufficient safety margins) may cause inefficient operation of heat exchangers and coolers for much of the time.

Suction System

To provide reliable performance under seagoing conditions, a raw water cooling pump must operate in a correctly designed cooling system. It is, therefore, essential that cooling water should reach the pump without having to overcome undesirable resistance or restrictions.

The following general rules are given for guidance.

Suction pipe bore must not be smaller than the pump inlet connection but if total suction pipe exceeds 10 feet in length the bore should be one size larger, particularly if the pump is operated at high speeds (see performance graphs). Use the same size bore pipe throughout, i.e. avoid sudden enlargements or contractions. Use long tapered sections of pipe at any change in pipe bore.

The suction pipe run should be as straight as possible, i.e. avoid unnecessary bends. Do not use square or standard elbows, instead use long sweep bends.

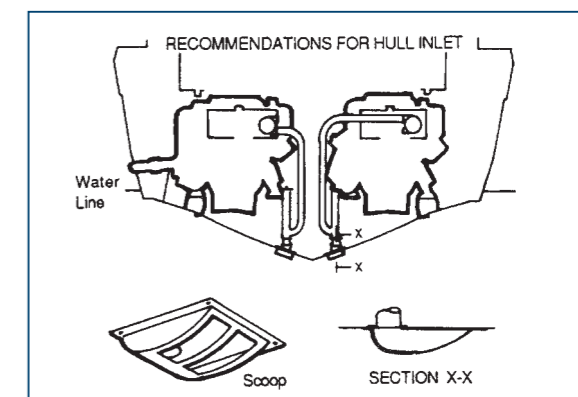
DO NOT fit gearbox or engine oil coolers in the pump suction system. Always install after the pump.

Seacocks of the same nominal size as the suction pipework should be of the ball or plug type giving full through bore in the open position. The handle position should clearly indicate whether seacocks are open or closed.

Seawater inlet strainers should have a hole or mesh size of at least 1/8" diameter and up to 3/16" for larger pumps but smaller than the heat exchanger tube bore.

Check frequently that inlet strainer is not clogged. If in doubt clean thoroughly.

Fast boats (over 12-15 knots) and planing craft, must be fitted with inlet scoops positioned in a permanently wetted area of the ship's hull, to create sufficient inlet pressure at higher boat speeds. Flush inlet fittings are not suitable for fast boats.



Pump Selection

Most proprietary marine engines are already fitted with specially adapted flange mounted Jabsco cooling pumps driven by gears or couplings of various descriptions.

A belt drive from the crankshaft pulley will enable almost any standard foot mounted bronze Jabsco pump to be selected provided that the required cooling flow rate is obtained without operating the pump at excessive speeds (see also performance graphs).

Global cooling water requirement for each 100 HP at maximum engine load and rpm (see under Engine Cooling Systems).

Diesel Engines

| | |
|-------------------------|--------------------------------------|
| Direct cooling: | 12 usgpm (45 lpm) (raw water). |
| Heat exchanger cooling: | 18 usgpm (68 lpm) (raw water). |
| Keel cooling: | 36 usgpm (136 lpm) (fresh water). |

Gasoline Engines

Increase diesel engine figures by about 10%.
If exhaust manifolds are water cooled increase pump capacity by a further 10-15%.

Pump Types

Selection may depend upon pump speed, space available and type of drive.

Plain Bearing Pumps

Maximum operating speeds.

| | |
|----------------------|-----------------------|
| Belt drive: | 1500-2000 rpm. |
| Direct drive: | 2000-2500 rpm. |

The stainless steel shaft runs directly on the seawater resistant bronze body material containing 10% lead. Shaft sealing is invariably graphite impregnated gland packing which offers low cost reliability where a slight leakage, necessary for gland lubrication, is acceptable.

Ball Bearing Pumps

For pump speeds in excess of 2500 rpm ball bearing pumps should be used. Depending on size and duty, speeds of up to 5000 rpm are possible but special attention to suction system conditions is then required (consult Jabsco).

Ball bearing pumps are available in heavy duty and compact types.

Heavy Duty Pumps

This range is designed with two spaced bearings and mechanical rotary face seals to meet high reliability criteria under adverse operating conditions, i.e. excessive belt tension, high operating pressure, abrasive conditions such as are found in shallow waters or in-shore operation. Pump bodies are either bolted to a bearing housing or body and bearing housing are a single integral casting. These types of pumps are often unique to the application but some varying pump types can share common bearing housings.

Compact Pumps

This pump range is fitted with double row ball bearings providing a low cost compromise between overall pump length and a limited heavy duty capability.

Bearings are shielded, ensuring permanent lubrication by the special grease.

Pump Drives

Direct Drives

Misalignment between pump and drive shafts is a common cause of pump failure.

A flexible coupling is only "flexible" within limitations specified by the manufacturer. Excessive misalignment, particularly at high pump speeds, can cause noise, knocking, vibration, premature bearing failure, usually followed by pump leakage.

Belt Drives

The pump speed is determined by the engine pulley diameter and the need to maintain the pump pulley at a practical maximum size. Some engine crankshaft pulleys incorporate vibration dampening membranes resulting in large diameters at the V groove. To lower pump speed relative to engine speed, it is necessary to use a pulley on the pump that is larger than the drive pulley. High engine speeds may, therefore, require oversize pump pulleys which preclude the practicality of a belt drive. Calculating a suitable size pump pulley (example):

$$\frac{\text{Drive pulley diameter}}{\text{Pump pulley diameter}} \times \text{Engine speed} = \text{Pump speed}$$

Excessive drive belt tension will cause rapid belt wear and may result in premature bearing failure. It should be possible to deflect a correctly tensioned belt between pulleys approximately $\frac{1}{2}'' - \frac{3}{4}''$ by applying finger pressure.

While excessive belt tension may be due to inadvertent overtightening, it should always be verified that it did not result from an inherent fault in the installation, e.g. if pump flow is insufficient due to a slipping belt caused by insufficient contact area between belt and pulley, any amount of tightening would not solve the problem permanently. Ideally, the contact area should be about 120° but not less than 90° .

If the engine is installed on flexible mountings, a belt driven pump must be mounted on the engine, never bolted to the vessel's structure. This is to avoid tensioning or slackening of the drive belt due to relative movements of the engine (see also crankshaft mounted pumps).

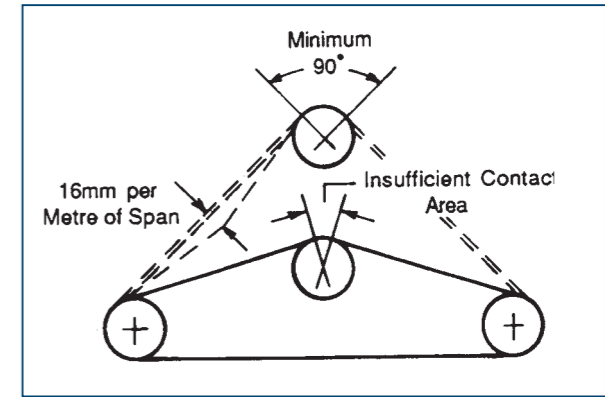
Gear Drives

Drive gears fitted to 'heavy duty' flange mounted pumps are supported by the pump ball bearings and driven by one of the engine gears.

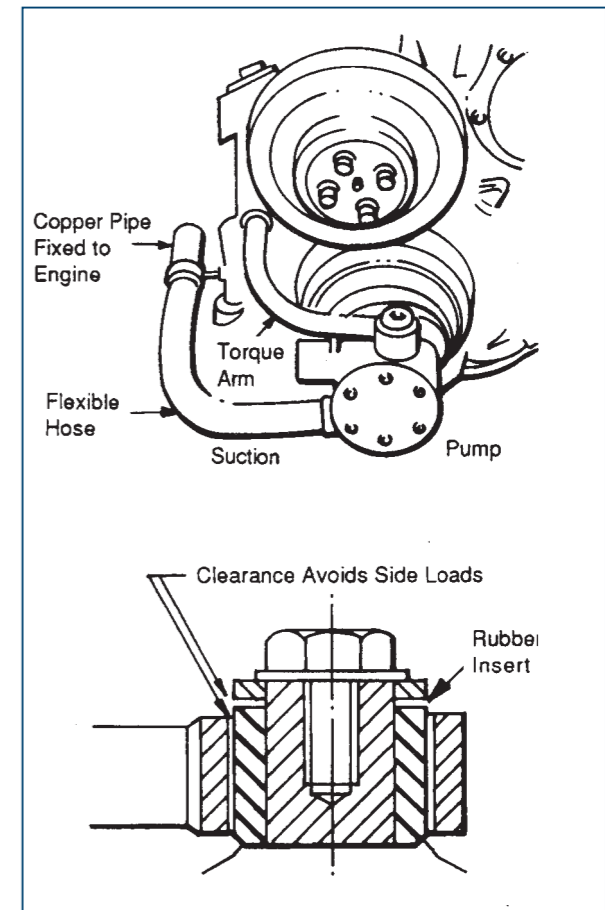
Crank Pulley Mounted Drive

A number of Jabsco pumps specially developed for high speed operation on gasoline and diesel engines, are fitted with a multi-positional bearing housing bolted directly to the crankshaft pulley, thus eliminating mounting brackets, belts and pulleys.

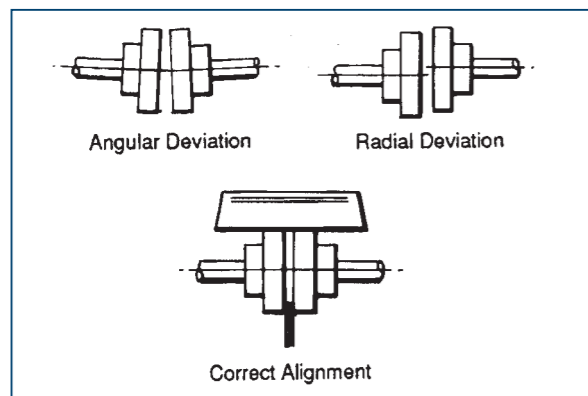
As the pump body is supported by the ball bearing only, it must be prevented from rotating by means of a torque arm, designed and installed so as to avoid any side load on the bearing. Inlet and outlet hoses must be flexible, i.e. of adequate length (at least 10 times the hose diameter) so that the pump can be rotated freely over a few degrees by finger pressure only.



Belt Drives



Crank Pulley Mounted Drive Installation Example



Pump Drive Failure

The majority of pump failures are caused by badly designed pump systems. Secondary causes of pump problems are unsatisfactory drive arrangements.

Pulley Driven Pumps

Pulley Driven Engine Cooling and General Purpose Pumps

Flexible impeller pumps are self-priming and therefore, are ideal for engine cooling, wash-down, circulation and many general purpose on-board or dockside applications. The bronze bodies and stainless steel shafts are well suited for marine environments. They can operate in either rotational direction. A variety of models are available with flows from 3 usgpm (11 lpm) to 83 usgpm (314 lpm) and with different port orientations to suit virtually any pumping requirement. Most models have replaceable cams and wearplates for extended product life.

Designed for North American Market



2760 Series

This pump offers all the benefits of flexible impeller pumps in a compact size with moderate flow rate and has vertically oriented ports.

- 3.7 usgpm (14 lpm) at 10ft (3m) total head @ 1750 rpm.
- Self-priming to 10ft (3m) vertical lift.
- Lip seal.
- Neoprene or Nitrile impeller.
- Double-row ball bearing.

Fitting: 1/4" NPT.

Size: 3⁹/₁₆" long x 2⁵/₁₆" wide x 2⁷/₁₆" high.Weight: 1¹/₂lb (0.7kg).

2760-0001 Pump with Neoprene Impeller, Full Cam and Lip Seal.

2760-0003 Pump with Nitrile Impeller, Full Cam and Lip Seal.

For service and spare parts listing see [page 154](#).



2620 Series

This pump offers all the benefits of flexible impeller pumps in a compact size with moderate flow rate and ports oriented at approximate 45° angles.

- 5.8 usgpm (22 lpm) at 10ft (3m) total head @ 1750 rpm.
- Self-priming to 10ft (3m) vertical lift.
- Lip seal.
- Neoprene or Nitrile impeller.
- Two single row ball bearings.

Fitting: 3/8" NPT.

Size: 3¹⁵/₁₆" long x 3¹/₁₆" wide x 3⁹/₃₂" high.Weight: 2³/₄lb (1.3kg).

2620-1011 Pump with Neoprene Impeller, Full Cam and Lip Seal.

2620-1013 Pump with Nitrile Impeller, Full Cam and Lip Seal.

For service and spare parts listing see [page 154](#).



5320-0011

This pump offers all the benefits of flexible impeller pumps in a compact size with moderate flow rate and has vertically oriented ports.

- 5.8 usgpm (22 lpm) at 10ft (3m) total head @ 1750 rpm.
- Self-priming to 10ft (3m) vertical lift.
- Lip seal.
- Neoprene impeller fitted as standard.
- Two single row ball bearings.

Fitting: 3/8" NPT.

Size: 5¹⁵/₁₆" long x 3¹/₂" wide x 3⁵/₁₆" high.Weight: 1¹/₂lb (0.7kg).

5320-0011 Pump with Neoprene Impeller, Full Cam and Lip Seal.

For service and spare parts listing see [page 154](#).

Pulley Driven Pumps

JABSCO

10

Designed for North American Market



1673 Series

This pump offers all the benefits of flexible impeller pumps in a compact size with moderate flow rate and horizontally oriented ports.

- 11.3 usgpm (43 lpm) at 10ft (3m) total head @ 1750 rpm.
- Self-priming to 10ft (3m) vertical lift.
- Lip seal.
- Neoprene or nitrile impeller.
- Two single row ball bearings.

Fitting: 1/2" NPT.

Size: 4⁷/₁₆" long x 4¹/₈" wide x 3¹³/₁₆" high.Weight: 4¹/₄lb (2kg).

1673-1001 Pump with Neoprene Impeller, Full Cam and Lip Seal.

1673-1003 Pump with Nitrile Impeller, Full Cam and Lip Seal.

For service and spare parts listing see [page 153](#).

3890-9011

This pump offers all the benefits of flexible impeller pumps in a compact size with moderate flow rate and vertically oriented ports.

- 11.3 usgpm (43 lpm) at 10ft (3m) total head @ 1750 rpm.
- Self-priming to 10ft (3m) vertical lift .
- Mechanical face seal.
- Neoprene impeller fitted as standard.
- Double-row ball bearing.

Fitting: 3/4" NPT.

Size: 5³/₁₆" long x 4" wide x 4" high.

Weight: 4lb (1.8kg).

3890-9011 Pump with Neoprene Impeller, Full Cam and Mechanical Seal.

For service and spare parts listing see [page 155](#).



5330-9001

This pump offers all the benefits of flexible impeller pumps in a mid-size package with substantial flow rate and vertically oriented ports.

- 26 usgpm (98 lpm) at 10ft (3m) total head @ 1750 rpm (full cam model).
- Self-priming to 10ft (3m) vertical lift.
- Mechanical face seal.
- Neoprene impeller fitted as standard.
- Double-row ball bearing.

Fitting: 1" NPT.

Size: 7" long x 4³/₄" wide x 4" high.

Weight: 7 lb (3.2 kg).

5330-9101 Pump with Neoprene Impeller, Full Cam and Mechanical Seal.

5330-9001 Pump with Neoprene Impeller, 2/3 Cam and Mechanical Seal.

For service and spare parts listing see [page 156](#).



Pulley Driven Pumps

Designed for North American Market



777 Series Bronze Pedestal Flexible Impeller Pump

Utilizes neoprene impellers for water and general purpose pumping. Utilizes nitrile impellers which is ideal for oil based products. For reduced flow, choose the half cam version. The choice of a mechanical seal extends pump life. Do not pump gasoline or other flammable liquids. Do not run dry.

- 23 gpm (87 lpm).
- Bronze body.
- Neoprene or Nitrile impeller.
- Stainless Steel shaft.

Fitting: 1" NPT (F).
Maximum Pressure: 26 psi or 60 ft of head.
Prime Dry, Wet: 8-10 ft (2.4-3m), 20-22 ft (4.6-6.7m).
Liquid Temp: 45-160°F (8-70°C), Neoprene, 50-160°F (10-82°C), Nitrile.

Size: 3 3/8" x 4 3/4" x 6 5/8" (90 x 120 x 159mm).

Weight: 5.8lbs (2.6kg).

- 777-0001** Pump with Neoprene Impeller, Full Cam and Lip Seal.
- 777-0003** Pump with Nitrile Impeller, Full Cam and Lip Seal.
- 777-9001** Pump with Neoprene Impeller, Full Cam and Mechanical Seal.
- 777-9003** Pump with Nitrile Impeller, Full Cam and Mechanical Seal.
- 777-9051** Pump with Neoprene Impeller, Half Cam and Mechanical Seal.

For service and spare parts listing see [page 156](#).



6400 Series

This pump offers all the benefits of flexible impeller pumps in a mid-size package with substantial flow rate and horizontally oriented ports.

- 62 usgpm (235 lpm) at 10ft (3m) total head @ 1750 rpm.
- Self-priming to 10ft (3m) vertical lift.
- Mechanical face seal.
- Neoprene or nitrile impeller.
- Double-row ball bearing.

Fitting: 1 1/4" NPT.
Size: 8 1/8" long x 5 7/8" wide x 4 7/8" high.
Weight: 10 1/2 lb (4.8kg).

- 6400-0004** Pump with Neoprene Impeller, Full Cam and Mechanical Seal.
- 6400-0051** Pump with Neoprene Impeller, Half Cam and Mechanical Seal.
- 6400-1051** Pump with Neoprene Impeller, Half Cam, Mechanical Seal, and Short Shaft for caterpillar engines.

For service and spare parts listing see [page 156](#).



7420 Series

This pump offers all the benefits of flexible impeller pumps in a mid-size package with substantial flow rate and vertically oriented ports.

- 62 usgpm (235 lpm) at 10ft (3m) total head @ 1750 rpm.
- Self-priming to 10ft (3m) vertical lift.
- Mechanical face seal.
- Neoprene impeller.
- Double-row ball bearing.

Fitting: 1 1/4" NPT.
Size: 8 1/8" long x 5 1/8" wide x 5 1/8" high.
Weight: 10 1/2 lb (4.8kg).

- 7420-0004** Pump with Neoprene Impeller, Full Cam and Mechanical Seal.
- 7420-1001** Pump with Neoprene Impeller, Full Cam, Mechanical Seal, and Short Shaft for caterpillar engines.

For service and spare parts listing see [page 158](#).

Pulley Driven Pumps

JABSCO

10

Designed for North American Market



18370-0000

This pump is the largest pedestal mount flexible impeller utility type pump and provides the greatest flow rate and horizontally oriented ports.

- 83 usgpm (314 lpm) at 10ft (3m) total head @ 1750 rpm.
- Self-priming to 10ft (3m) vertical lift.
- Mechanical face seal.
- Neoprene or nitrile impeller.
- Two single row ball bearings.

Fitting: 2" NPT.
Size: 10 7/8" long x 8" wide x 5 1/8" high.
Weight: 19lb (8.6kg).

18370-0000 Pump with Neoprene Impeller, Full Cam and Mechanical Seal.

For service and spare parts listing see [page 159](#).



52580 Series

This compact pump offers a compromise between pump overall size and duty capability.

- 1,070 igph (4,850 lph) at 10ft (3m) total head @ 1,500 rpm.
- By use of optional thinner cams, variable flows are obtainable to suit individual applications.
- Self Priming up to 15ft (4.5m) vertical lift.
- The open design of this pump allows debris to pass through without affecting the flow and reliability.

- Space sealed for life bearings.
- Long-life mechanical seal.
- Neoprene impeller is fitted as standard.

Fitting: 1" NPT.
Size: 6 1/2" long x 5" wide x 4" high (180mm x 120mm x 100mm).
Weight: 5lb (2.1kg).

52580-9001 Pump.

For service and spare parts listing see [page 176](#).



10

Pulley Driven Pumps

Pulley Driven Engine Cooling and General Purpose Pumps

Flexible impeller pumps are self-priming and therefore, are ideal for engine cooling, wash-down, circulation and many general purpose on-board or dockside applications. The bronze bodies and stainless steel shafts are well suited for marine environments. They can operate in either rotational direction. A variety of models are available with flows from 11 lpm (2.5 igm) to 314 lpm (69 igm) and with different port orientations to suit virtually any pumping requirement. Most models have replaceable cams and wearplates for extended product life.

Designed for European Market



29860 Series

This compact design offers commercial users a reliable and easily maintained pump for transfer duties at high flow rates.

- 6,336 igph (28,800 lph) at 10ft (3m) total head @ 1,500 rpm.
- Self-priming up to 18ft (5.5m) vertical lift.
- The open design of this pump allows debris to pass through without affecting the flow and reliability.
- Spaced bearings allow faster running and longer bearing life.
- Mechanical seal offers long life and reliability to commercial duty installations.

- Easily maintained and serviced using ordinary hand tools.
 - Neoprene impeller is fitted as standard.
- Fitting:** 2 1/2" BSP internal thread/ 2 1/2" flange.
Size: 13" long x 9" wide x 9" high.
 (332mm x 224mm x 220mm).
Weight: 28lb (12.5kg).

29860-2201 Pump with Vertical Ports.

For service and spare parts listing see [page 173](#).



52270 Series

This composite design offers a strong and reliable pump for adverse operating conditions.

- 3,600 igph (16,350 lph) at 10ft (3m) total head @ 1,500 rpm.
- By use of optional thinner cams, variable flows are obtainable to suit individual applications.
- Self-priming up to 15ft (4.5m) vertical lift.
- The open design of this pump allows debris to pass through without affecting the flow and reliability.
- Spaced bearings allow faster running and longer bearing life.

- Mechanical seal offers long life and reliability to commercial duty installations.
 - Neoprene impeller is fitted as standard.
- Fitting:** 2" BSP internal thread/ optional 2" flange.
Size: 11" long x 7" wide x 5" high.
 (276mm x 170mm x 128mm)
Weight: 20lb (9kg).

52270-0011 Pump with Flange Ports.

52270-2011 Pump with BSP Ports.

For service and spare parts listing see [page 176](#).



52220 Series

This composite design offers a strong and reliable pump for adverse operating conditions.

- 2,600 igph (11,700 lph) at 10ft (3m) total head @ 1,500 rpm.
- By use of optional thinner cams, variable flows are obtainable to suit individual applications.
- Self-priming up to 15ft (4.5m) vertical lift.
- The open design of this pump allows debris to pass through without affecting the flow and reliability.
- Spaced bearings allow faster running and longer bearing life.

- Mechanical seal offers long life and reliability to commercial duty installations.
 - Neoprene impeller is fitted as standard.
- Fitting:** 1 1/2" flange.
Size: 10 1/2" long x 6" wide x 6" high.
 276mm x 152mm x 146mm high.
Weight: 16lb (7kg).

52220-0011 Pump.

For service and spare parts listing see [page 176](#).

Pulley Driven Pumps

Designed for European Market



52200 Series

This compact pump offers a compromise between pump overall size and limited heavy duty capability.

- 2,600 igph (11,700 lph) at 10ft (3m) total head @ 1,500 rpm.
- By use of optional thinner cams, variable flows are obtainable to suit individual applications.
- Self-priming up to 15ft (4.5m) vertical lift.
- The open design of this pump allows debris to pass through without affecting the flow and reliability.

- Double row angular contact bearing allows short length pump with medium duty rating.
- Mechanical seal offers long life and reliability to commercial duty installations.
- Neoprene impeller is fitted as standard.

Fitting: 1 1/2" BSP internal thread.

Size: 8" long x 6" wide x 5" high.
 (204mm x 150mm x 120mm).

Weight: 11lb (5kg).

52200-2011 Pump.

For service and spare parts listing see [page 176](#).



9710 Series

This composite design offers a strong and reliable pump for adverse operating conditions.

- 1,070 igph (4,850 lph) at 10ft (3m) total head @ 1,500 rpm.
- By use of optional thinner cams, variable flows are obtainable to suit individual applications.
- Self-priming up to 15ft (4.5m) vertical lift.
- The open design of this pump allows debris to pass through without affecting the flow and reliability.
- Spaced bearings allow faster runnings and longer bearing life.

- Mechanical seal offers long life and reliability to commercial duty installations.
- Neoprene impeller is fitted as standard.

Fitting: 1" BSP internal thread.

Size: 9" long x 5" wide x 3" high.
 (229mm x 120mm x 80mm).

Weight: 8lb (3.4kg).

9710-200 Pump.

For service and spare parts listing see [page 159](#).



52580 Series

This compact pump offers a compromise between pump overall size and duty capability.

- 1,070 igph (4,850 lph) at 10ft (3m) total head @ 1,500 rpm.
- By use of optional thinner cams, variable flows are obtainable to suit individual applications.
- Self-priming up to 15ft (4.5m) vertical lift.
- The open design of this pump allows debris to pass through without affecting the flow and reliability.
- Spaced sealed for life bearings.
- Long-life mechanical seal.
- Neoprene impeller is fitted as standard.

Fitting: 1" BSP internal thread.

Size: 6 1/2" long x 5" wide x 4" high.
 (180mm x 120mm x 100mm).

Weight: 5lb (2.1kg).

52580-2001 Pump.

50320-2001 Model available to replace Johnson 10-24070-1 with Lipseal and Double Row Bearing.

For service and spare parts listing see [page 176](#).

Pulley Driven Pumps

JABSCO

10

Designed for European Market

**10550 Series**

This composite design offers a strong and reliable pump for adverse operating conditions.

- 530 igph (2,400 lph) at 10ft (3m) total head @ 1,500 rpm.
- By use of optional thinner cams, variable flows are obtainable to suit individual applications.
- Self-priming up to 18ft (5.6m) vertical lift.
- Ideal for transfer duties, this pump offers a high flow to size ratio.
- Spaced bearings allow faster running and longer bearing life.

- Mechanical seal offers long life and reliability to commercial duty installations.
- Neoprene impeller is fitted as standard.

Fitting: 3/4" BSP internal thread.

Size: 7" long x 4" wide x 3" high
(170mm x 106mm x 75mm).

Weight: 7lb (3kg).

10550-200 Pump.

For service and spare parts listing see page 160.

**52040 Series**

This compact design offers compromise between pump overall size and duty capability.

- 530 igph (2,400 lph) at 10ft (3m) total head @ 1,500 rpm.
- By use of optional thinner cams, variable flows are obtainable to suit individual applications.
- Self-priming up to 18ft (5.6m) vertical lift.
- Ideal for transfer duties, this pump offers a high flow to size ratio.
- Double row angular contact bearing allows short length pump with medium duty rating.

- Lip seal offers low cost reliability in medium duty environments.
- Neoprene impeller is fitted as standard.

Fitting: 3/4" BSP internal thread.

Size: 5" long x 4" wide x 3" high
(128mm x 106mm x 78mm high).

Weight: 3lb (1.5kg).

52040-2001 Pump.

For service and spare parts listing see page 176.

**51520 Series**

This compact pump with a new Carbon/Ceramic mechanical seal now offers commercial duty.

- Replaces existing Jabsco and competitors pumps.
- 240 igph (1080 lph) at 10ft (3m) total head @ 1500 rpm.
- Self-priming up to 13ft (4.1m) vertical lift.
- Sealed bearings for longer life.
- Ideal for transfer duties, this pump offers a high flow to size ratio.
- Neoprene Impeller is fitted as standard.

Fitting: 3/8" BSP internal thread.

Size: 3 3/4" long x 3" wide x 3 1/2" high
(95.4mm x 80mm x 85mm).

Weight: 3lb (1.4kg).

51520-2001 Pump.

51520-9001 Pump (NPT Thread).

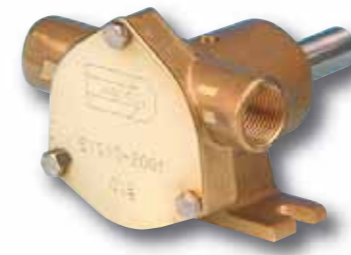
For service and spare parts listing see page 175.

Replaces Johnson model F4B-8 (10-24074).

Also available in North America.

Pulley Driven Pumps

Designed for European Market



Also available in North America.

51510 Series

This compact pump with a new Carbon/Ceramic mechanical seal now offers commercial duty.

- Replaces existing Jabsco and competitors pumps.
- 137 igph (630 lph) at 10ft (3m) total head @ 1500 rpm
- Self-priming up to 11ft (3.5m) vertical lift.
- Sealed bearings for longer life.
- Ideal for transfer duties, this pump offers a high flow to size ratio.
- Neoprene Impeller is fitted as standard.

Fitting: 3/8" BSP internal thread.

Size: 3 5/8" long x 3" wide x 2 3/8" high
(92mm x 80mm x 60mm).

Weight: 2lb (0.9kg).

51510-2001 Pump.

51510-9001 Pump (NPT Thread).

For service and spare parts listing see page 175.

Replaces Johnson model F35B-8 (10-35038)



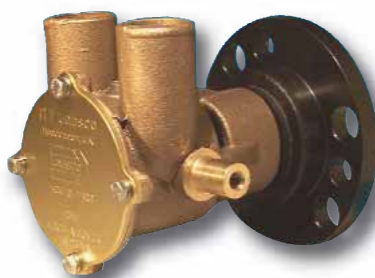
10

Upgrade to Jabsco Engine Cooling Pumps

As originators of the flexible impeller engine cooling pump Jabsco is known worldwide for quality, reliability and serviceability.

As original equipment suppliers to engine marinizers, we also manufacture aftermarket alternatives to many original pumps. These pumps are designed to be fully serviceable and after long use can be restored to like new condition, avoiding complete pump replacement.

Designed for North American Engines



Jabsco 50410-Series

Probably the best crank shaft mounted pump available.

- Fits all major V8 engines.
- Lip or Mechanical Seals available.
- Specially designed impeller for longer life.
- Supercedes 22110 series pumps.

Fitting: 1.25" (32mm) ID Hose.

Size: 50410-1201/1301: 5" x 4.5" x 4.5" (13cm x 11cm x 11cm).
50410-1401/1501: 4.5" x 4.5" x 4.5" (11cm x 11cm x 11cm).

Weight: 5lb (2.2 kg).

50410-1201 454CI Chevrolet, Lip Seal.

50410-1301 454CI Chevrolet, Mechanical Seal.

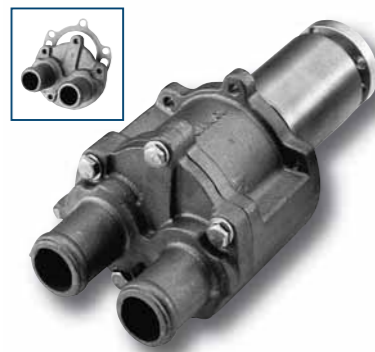
50410-1251 305 & 350CI Chevrolet, Lip Seal.

50410-1351 305 & 350CI Chevrolet, Mechanical Seal.

50410-1401 8.1L Chevrolet, Lip Seal.

50410-1501 8.1L Chevrolet, Mechanical Seal.

For service and parts see [page 175](#).



MerCruiser Type 43210-0001

Marine Engine Cooling Replaces MerCruiser Model 46-72774-A32.

- Left or Right Hand Rotation.
- One Piece Bronze Body.
- Bronze End Plate.
- Replaceable Cam and Wearplate.

Fitting: 1 1/4" Hose Barb.

Size: 9 5/16" long x 4 7/8" wide x 4 1/8" high.

Weight: 7lb (3.2kg).

Drive: Pulley.

Mount: MerCruiser Clamp Type or MerCruiser Bracket.

43210-0001 MerCruiser Pump.

43216-1000 Replacement Bronze End Cover for MerCruiser produced pumps.

For service and spare parts listing see [page 173](#).



Crusader Type 42730-0000

Marine Engine Cooling Replaces Crusader Model Number 97179 and Sherwood E-35.

- Fits most pre: 1993 Crusader engines.
- Accepts Crusader drive pulley.
- Bolts directly to stock mounting bracket.
- Wearplate and seal can generally be replaced without removing the pump shaft.

Fitting: 1" NPT internal.

Size: 4 15/16" long x 4 7/8" wide x 4 1/4" high.

Weight: 7lb (3.2kg).

Drive: Pulley.

Mount: Pedestal.

42730-0000 Crusader.

For service and spare parts listing see [page 173](#).

Upgrade to Jabsco Engine Cooling Pumps



Engine Cooling Pumps

Jabsco Replacements for Sherwood Engine Cooling Pumps.

Jabsco engine cooling pumps are constructed with all bronze body, bearing housing and stainless steel shaft to withstand harsh marine environments.

They can directly replace the Sherwood models G-30-2 on current Chris Craft production engines and G-5 on current Chrysler engines.

They may also fit some models of Volvo, Escort, Pleasurecraft and Datsun engines.

Pumps are available in a variety of configurations. They can be supplied with a choice of: 1" or 1 1/4" ports; mounting tabs on front or rear of bearing housing; and 6 1/2" "A" belt pulley, pulley mounting adaptor, or 3 1/8" key on the shaft.

For service and spare parts listing see [pages 153-176](#).



Mounting tabs near body



With pulley adaptor



With pulley



With keyed shaft



Mounting tabs near pulley



With pulley

Port size
1" 18830-0000
1 1/4" 18930-0000

Port size
1" 18830-0010
1 1/4" 18930-0010

Port size
1" 18830-1020
1 1/4" 18930-0020

| Jabsco Model No | Sherwood Model No | Port Size | Engine Application |
|-----------------|-------------------|---------------|---|
| 18830-0000 | G-30-2 | 1" (25mm) | Chris Craft: 350 C.I. |
| 18830-1020 | - | 1" (25mm) | Commander Marine 302, 351 C.I. Glastron 302, 351 C.I. 165, 190, 200 & 225 |
| 18840-0010 | G-21 | 1" (25mm) | Pleasurecraft |
| 18840-1010 | - | 1" (25mm) | Nissan LDM 4 Cyl. |
| 18930-0000 | G-45-1 | 1 1/4" (32mm) | Chris Craft |
| 18940-0010 | G-5, G-7-B | 1 1/4" (32mm) | Chrysler LM-318X-LM-340X Lehman 302, 351 C.I. Powerhouse Marine 302, 351 C.I. |

17360-1001

Marine Engine Cooling for Engine Models. Caterpillar D-336 and D-353. With minor plumbing modifications may be adapted to:

- Caterpillar D-343.
- Detroit Diesel V-71 and V-92.
- Some Stewart and Stevenson Marinizations of Detroit Diesel Engines.

Fitting: 2-1/2" flange port.

Size: 9 1/4" long x 7 7/8" wide x 5 5/16" high.
Weight: 28lb (12.7kg).

Drive: Gear.

Mount: Engine.

17360-1001

For service and spare parts listing see [page 164](#).



Upgrade to Jabsco Engine Cooling Pumps



Designed for North American Engines

**5850-0001****Marine Engine Cooling:**

- Flagship.
- Palmer Lehman.
- Chris-Craft.

Fitting: 3/4" NPT.
Size: 5 5/16" long x 4 1/4" wide x 3 1/4" high.
Weight: 6lb (2.7kg).
Drive: Coupler.
Mount: Engine.

For service and spare parts listing see [page 156](#).

**12600-0001****Marine Engine Cooling for Engine Models:**

- Cummins V-903.
- Cummins VT-903.

Fitting: 3" hose.
Size: 7" long x 7 3/8" wide x 8 1/2" high.
Weight: 20lb (9kg).
Drive: Gear.
Mount: Engine.

For service and spare parts listing see [page 164](#).

**7420-1001****Marine Engine Cooling for Engine Models:**

- Caterpillar 3160.
- Caterpillar 3208.

Fitting: 1 1/4" NPT vertical ports.
Size: 7 1/32" long x 5 7/8" wide x 4 7/8" high.
Weight: 10 1/2lb (4.8kg).
Drive: Pulley.
Mount: Pedestal.

For service and spare parts listing see [page 158](#).

**6400-1051****Marine Engine Cooling for Engine Models:**

- Caterpillar 3160.
- Caterpillar 3208.

Fitting: 1 1/4" NPT Horizontal Ports.
Size: 7 1/32" long x 5 7/8" wide x 4 7/8" high.
Weight: 10 1/2lb (4.8kg).
Drive: Pulley.
Mount: Pedestal.

For service and spare parts listing see [page 156](#).

Upgrade to Jabsco Engine Cooling Pumps



Designed for North American Engines

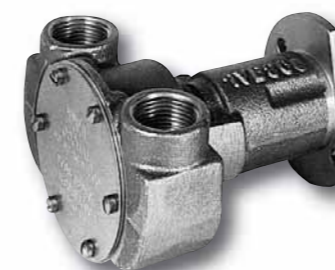
**11850-0701****Marine Engine Cooling:**

- Holman & Moody.
- Crusader.
- Daytona.

Details: 1" hose.
Size: 4 7/16" long x 6 1/16" wide.
Weight: 6lb (2.7kg).
Drive: Pulley.
Mount: Bracket.

Model 11850-0711 is the same as 11850-0701 but with the re-positioned cam.

For service and spare parts listing see [page 163](#).

**18400-0050****Marine Engine Cooling Generator Pump:**

- Onan MDJF 15KW.

Fitting: 3/4" NPT.
Size: 5 5/16" long x 4 1/4" wide x 3 1/4" high.
Weight: 6lb (2.7kg).
Drive: Coupler.
Mount: Engine.

For service and spare parts listing see [page 165](#).

**3270-0001****Marine Engine Cooling for Engine Models:**

- Perkins 4-107.
- Perkins 4-108.

Fitting: 3/4" NPT.
Size: 4 1/4" long x 4 1/8" wide x 3 7/8" high.
Weight: 4lb (1.8kg).
Drive: Coupling.
Mount: Engine.

For service and spare parts listing see [page 154](#).

Upgrade to Jabsco Engine Cooling Pumps



Designed for European Engines

**10950 Series**

Marine Engine Cooling pump for Ford Dover and Dorset 4-cyl Engines.

Marinised by:

- C-Power.
- CT Marine.
- Lancing.
- Lehman.
- SABB.
- Sabre.
- Watermota.

Fitting: 3/4" BSP.

Size: 6 1/2" long x 4 1/2" wide x 5 1/8" high (166mm x 115mm x 130mm).

Weight: 7lb (3.0kg).

Drive: Drive Gear.

Mount: Engine.

For service and spare parts listing see [page 164](#).

Designed for European Engines

**9700-01**

Marine Engine Cooling pump for:

- Hamworthy.
- Perkins.
- Leyland-Thornycroft.

Fitting: 1" flanged.

Size: 5 3/4" long x 4 3/4" wide x 3 7/8" high (149mm x 121mm x 99mm).

Weight: 6 lb (2.8 kg).

Drive: Coupling.

Mount: Engine.

For service and spare parts listing see [page 159](#).

Also available in North America.

**21140 Series**

Marine Engine Cooling pump for Ford Dover and Dorset 6-cyl Engines.

Marinised by:

- C-Power.
- Hawker Siddeley Marine (Lister Petter).
- Lancing.
- Lehman.
- Mermaid.
- SABB.
- Sabre.
- Tempest.
- Watermota.

Fitting: 1" BSP.

Size: 7 1/4" long x 4 1/2" wide x 5 1/8" high (185mm x 115mm x 130mm).

Weight: 8lb (3.6kg).

Drive: Drive Gear.

Mount: Engine.

For service and spare parts listing see [page 166](#).

Also available in North America.

9970-200

Marine Engine Cooling pump for:

- Hawker Siddeley Marine (Lister Petter).
- Hamworthy.
- Perkins.
- Lehman.
- Sisu (Valmet).

Fitting: 3/4" BSP.

Size: 5 5/8" long x 4" wide x 3 3/8" high (142mm x 100mm x 86mm).

Weight: 4lb (1.8 kg).

Drive: Coupling.

Mount: Engine.

For service and spare parts listing see [page 160](#).

**10970**

Marine Engine Cooling pump for:

- Perkins 4.236.

Fitting: 3/4" NPTF.

Size: 5 5/8" long x 4 3/4" wide x 4 1/2" high (144mm x 120mm x 115mm).

Weight: 7lb (3.26kg).

Drive: Drive Gear.

Mount: Engine.

For service and spare parts listing see [page 162](#).



Also available in North America.

29500-1001

Marine Engine Cooling pump for:

- Aifo Iveco.
- Lancing.
- Perkins.
- Sole.
- VM Motori.

Fitting: 28mm hose.

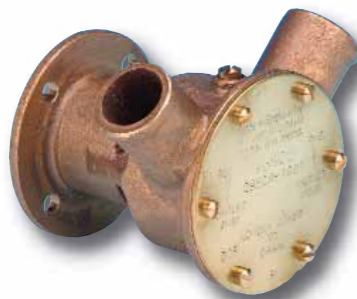
Size: 4 3/4" long x 4" wide x 4" high (110mm x 100mm x 100mm).

Weight: 2 1/2 lb (1.2kg).

Drive: Coupling.

Mount: Engine.

For service and spare parts listing see [page 172](#).

**3270-200**

Marine Engine Cooling pump for:-

- Aifo Iveco.
- Lancing.
- Perkins.
- Sole.
- Tempest.
- VM Motori.

Fitting: 3/4" BSP.

Size: 4 1/4" long x 4" wide x 3 3/8" high (108mm x 100mm x 84mm).

Weight: 3 1/2 lb (1.6kg).

Drive: Coupling.

Mount: Engine.

For service and spare parts listing see [page 154](#).

**10970-21**

Marine Engine Cooling pump for:

- Perkins 4.236.
- Perkins M90.

Fitting: 3/4" flanged.

Size: 5 7/8" long x 5 5/8" wide x 4 1/2" high (149mm x 143mm x 115mm).

Weight: 8lb (3.6kg).

Drive: Drive Gear.

Mount: Mount.

For service and spare parts listing see [page 162](#).



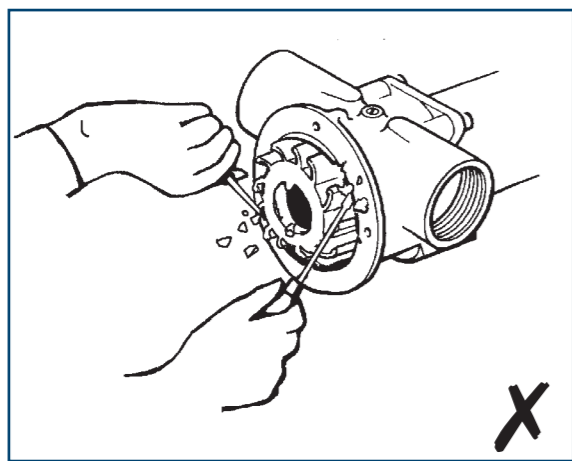
Introduction



Jabsco - The Original Impeller

Jabsco flexible impellers can be fitted to most makes and models of bronze flexible impeller engine cooling, bilge, transfer and general purpose pumps.

Jabsco flexible impellers are subjected to rigorous quality processes to ensure reliable, efficient and long lasting performance.

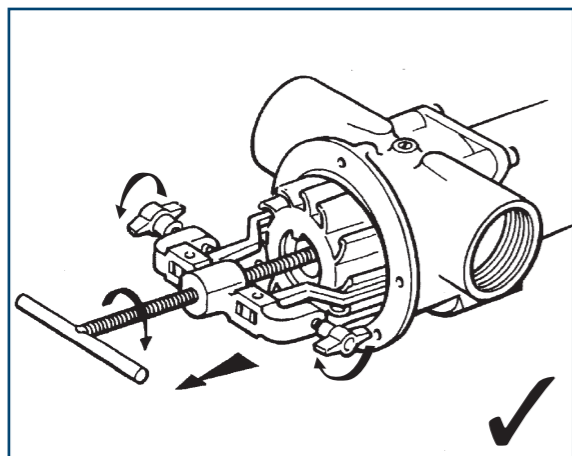


Impeller Replacement - The Basics

Use Neoprene Impellers for engine cooling, and for fresh or salt water transfer duties. Neoprene is the most commonly used material and is suitable for use where only small amounts of oil or diesel fuel are present.

Use Nitrile Impellers for bilge pumping, and for transfer duties where the water is heavily contaminated, for example by oil or diesel. For diesel transfer duties, go to pages 45-46 and select a Jabsco Sliding Vane pump.

Replace all impellers at least once every year, or sooner, depending on the engine duty. When the installation is correct an impeller may last for several years, but it is always advisable to stick to a schedule of preventative, rather than corrective, maintenance.



Replacing impellers is easy. By removing the end cover screws, it is possible to remove the impeller by using either a Jabsco Impeller Removal Tool, or channel lock pliers, to grip the hub of the impeller. Don't use screwdrivers as they may damage the face of the pump body, causing leaks, and they can be dangerous in confined spaces.

Always carry spare impellers on board in case of emergency. The impeller is one of the most vital components of the engine cooling system and should always be treated as such.

Always grease new impellers. Firstly, it makes it easier to install the impeller into the pump bore, and secondly it gives added protection to the impeller during initial prime. After replacing the gasket and end cover the pump is ready to use.

Identification



Selecting your Jabsco Replacement Impeller

There are several ways of identifying the part number of the correct Jabsco impeller if you do not already know it.

1. If you have a Jabsco pump, the Jabsco impeller part number can be found on the Data Sheet that is delivered with each pump.
2. If you have a Jabsco pump, but no data sheet, and you know the full pump model number, go to pages 117-140, Pump Spares by Pump Model, and read off the correct Jabsco impeller part number.
3. If you have another brand of pump, and you know their impeller part number, go to page 105, Upgrade to a Jabsco Impeller, and check for a Jabsco Replacement Impeller part number.
4. If you have the impeller in front of you:

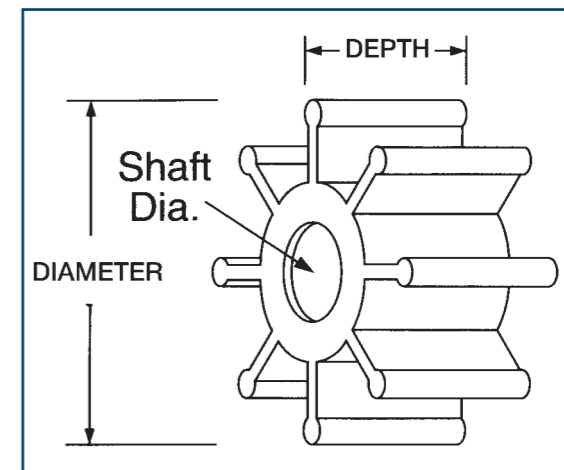


CHART A - Measuring Your Impeller

Identify the impeller profile Code Letter by placing the impeller on the profiles on pages 98-100.

- Go to pages 101-102, Selection Table by Profile.
 - Measure the Depth (see Chart A).
 - Identify the Drive (see Chart B).
 - Measure the Shaft Diameter (see Chart A).
 - Select the material.
 - Read off the part number.
5. If you do not have the impeller in front of you, but you can ask someone who does:
 - Go to pages 103-104, Selection Table by Dimensions.
 - How many blades are there?
 - What is the outside diameter? (see Chart A).
 - What type of Drive is it? (see Chart B).
 - What is the Depth? (see Chart A).
 - What is the Shaft Diameter? (see Chart A).
 - Which material do they need?
 - Read off the part number.

| | | |
|---|-------------------------|--|
| 1 | SLOTTED SHAFT PIN DRIVE | |
| 2 | THROUGH HOLE PIN DRIVE | |
| 3 | KEY DRIVE | |
| 4 | SINGLE FLAT DRIVE | |
| 5 | DOUBLE FLAT DRIVE | |
| 6 | DING DRIVE KEYWAY | |
| 7 | SPLINE DRIVE | |
| 8 | RIBBED SEGMENT KEY | |

CHART B - Identifying the Impeller Drive

Flexible Impeller Removal Tool

The Flexible Impeller Removal Tool is the easiest way to remove impellers, especially when the pump is mounted in tight and cramped conditions.

- Simple three stage operation easily removes the impeller.
- Removes the risk of expensive damage to the pump.
- Manufactured from corrosion resistant cast aluminum and stainless steel.
- Two models fit all impellers.

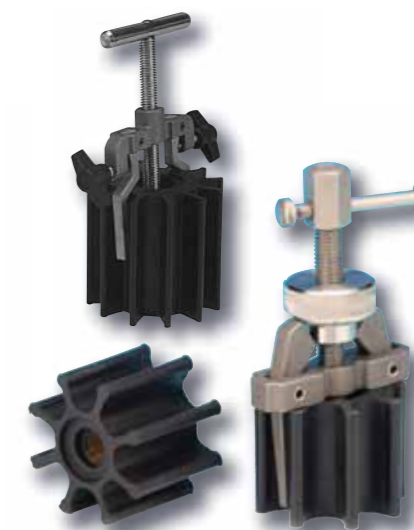
Size: 6" x 1" x 8" max (15cm wide x 2cm deep x 20cm high).

Weight: 1.1lb (0.5kg)

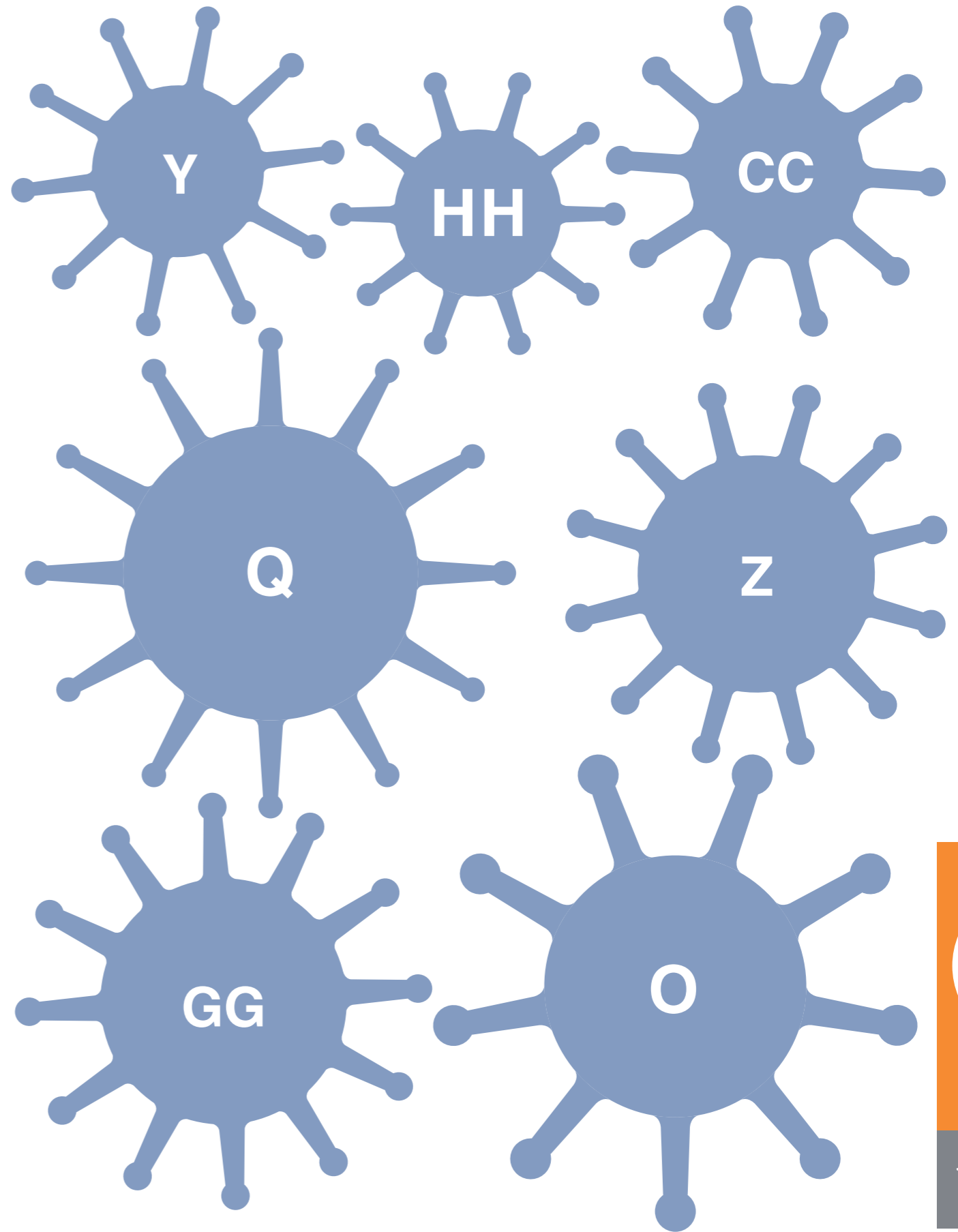
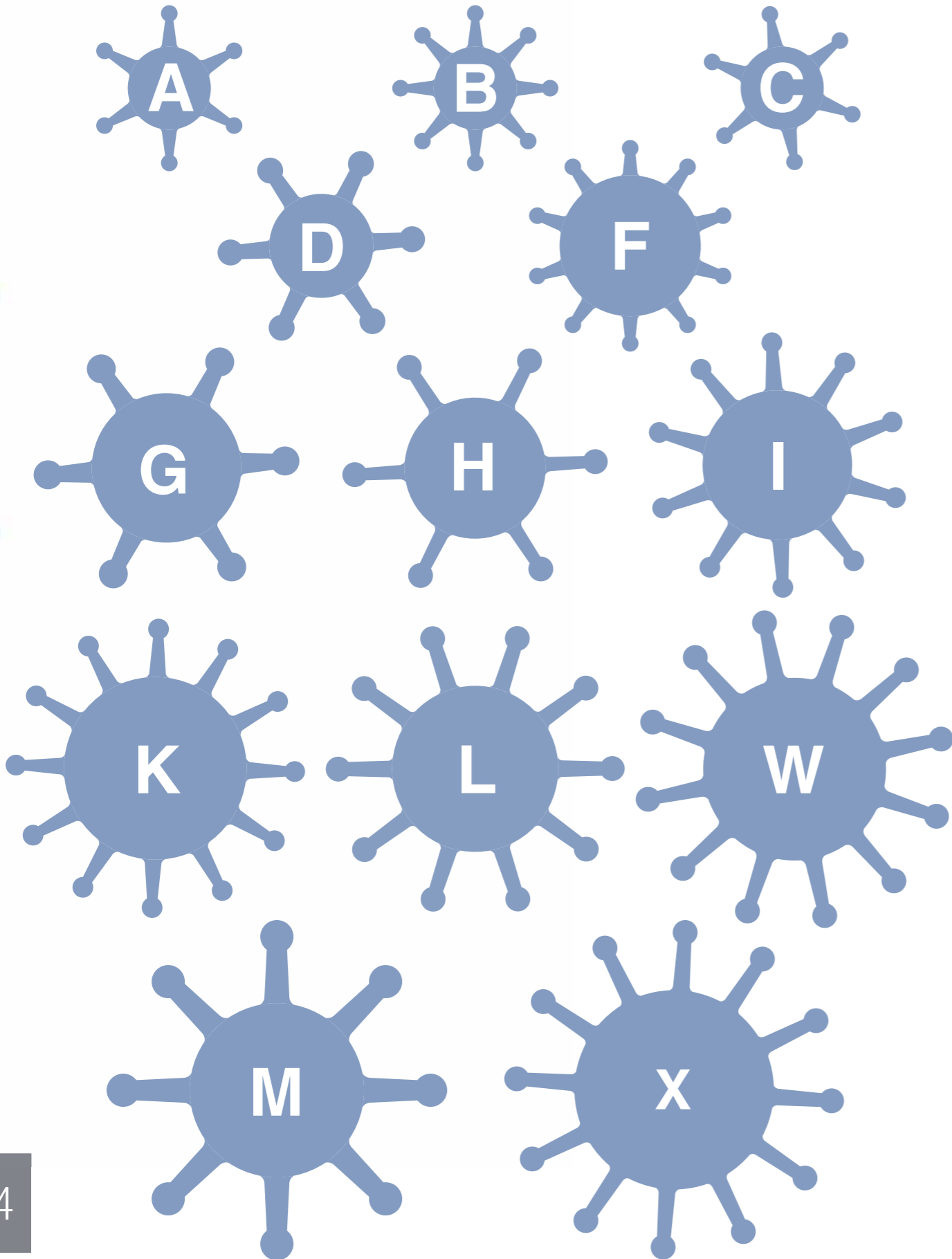
50070-0040 Suitable for impellers up to 2 1/2" (65mm) diameter.

50070-0200 Suitable for impellers from 2 1/2" (65mm) to 4 1/2" (118mm) diameter.

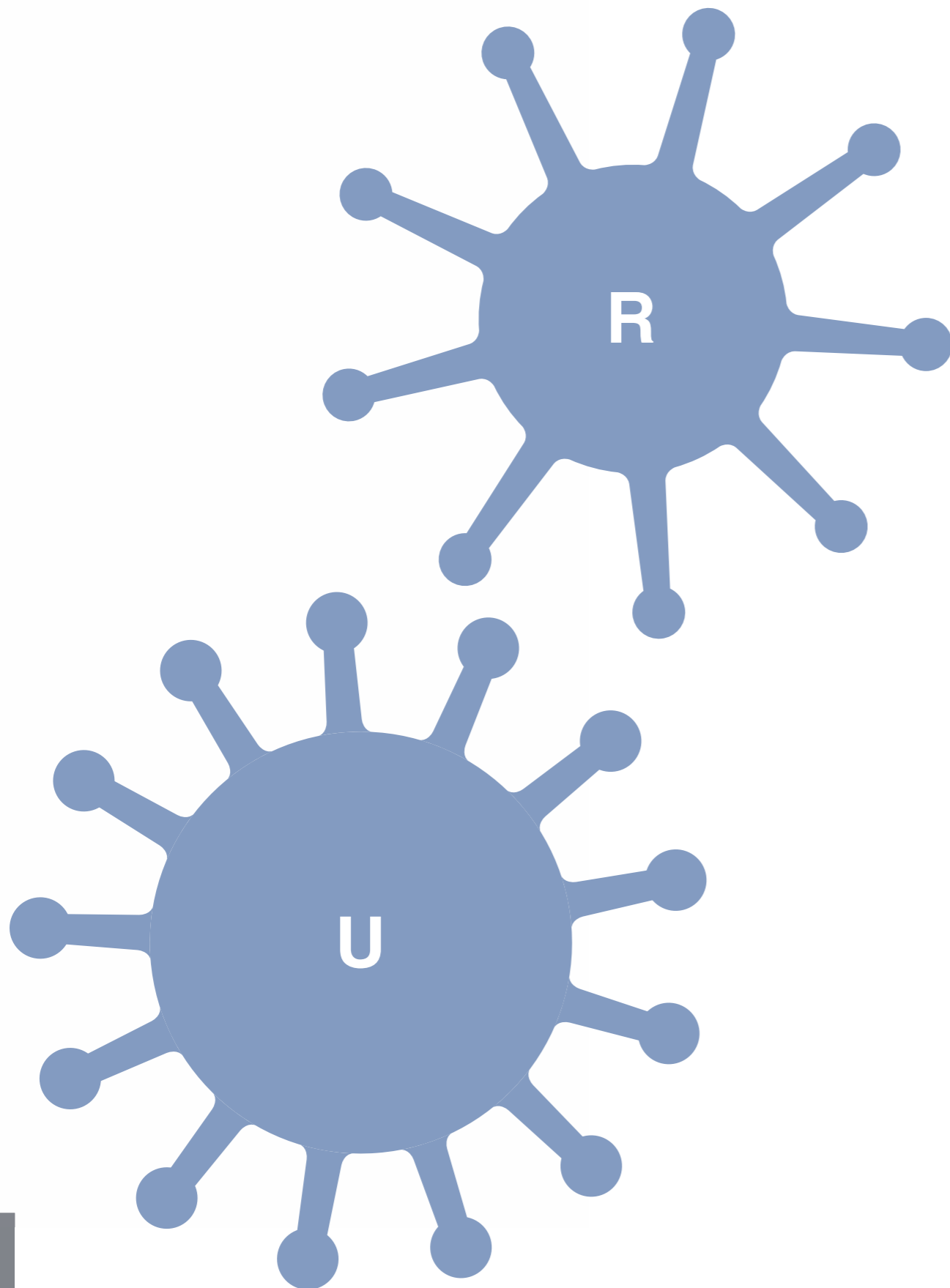
50070-0080 Compact version suitable for impellers up to 2 1/4" (57mm) diameter.



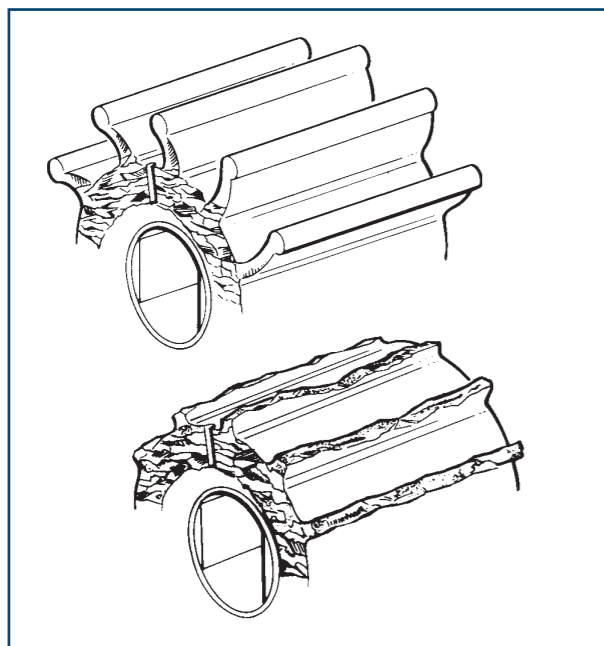
Impeller Replacement



Impeller Replacement



| Impeller Type | Impeller Number | Material | Drive Type | Number of Blades | Dimensions | | | | Shaft Diameter | | Insert Material |
|---|-----------------|----------|------------|------------------|------------|------|--------|------|----------------|-------|-----------------|
| | | | | | Diameter | | Width | | in | mm | |
| | | | | | in | mm | in | mm | in | mm | |
| A | 1414-0001-P | Neoprene | 4 | 6 | 1 1/4 | 32 | 1 1/2 | 12 | 5/16 | 8 | Brass* |
| | 1414-0003-P | Nitrile | 4 | 6 | 1 1/4 | 32 | 1 1/2 | 12 | 5/16 | 8 | Brass* |
| | 12104-0001B | Neoprene | 2 | 6 | 1 1/4 | 32 | 1 1/2 | 12 | 5/16 | 8 | Brass |
| | 21414-0001-P | Neoprene | 4 | 6 | 1 1/4 | 32 | 1 1/2 | 12 | 5/16 | 8 | Brass |
| (For use with Yanmar 1GM10 Marine Engines) | | | | | | | | | | | |
| B | 14750-0001B | Neoprene | 4 | 8 | 1 1/4 | 32 | 1 1/2 | 12 | 5/16 | 8 | Brass* |
| | 14750-0003-P | Nitrile | 4 | 8 | 1 1/4 | 32 | 1 1/2 | 12 | 5/16 | 8 | Brass* |
| C | 14609-0001B | Neoprene | 4 | 6 | 1 1/4 | 32 | 1 1/2 | 12 | 5/16 | 8 | Brass* |
| | 14609-0003 | Neoprene | 4 | 6 | 1 1/4 | 32 | 1 1/2 | 12 | 5/16 | 8 | Brass* |
| | 14787-0001B | Neoprene | 4 | 6 | 1 1/4 | 32 | 1 1/2 | 12 | 5/16 | 8 | Plastic* |
| CC | 31130-0061-P | Neoprene | 7 | 10 | 2 1/2 | 66 | 2 1/16 | 68 | 3/8 | 16 | Brass†† |
| D | 4528-0001-P | Neoprene | 1 or 2 | 6 | 1 1/16 | 40 | 3/4 | 19 | 3/8 | 9.5 | Brass |
| | 4528-0003-P | Nitrile | 1 or 2 | 6 | 1 1/16 | 40 | 3/4 | 19 | 3/8 | 9.5 | Brass |
| | 17255-0003-P | Nitrile | - | 6 | 1 1/16 | 40 | 3/4 | 19 | 1/4 | 6.4 | None† |
| | 22405-0001-P | Neoprene | 1 | 6 | 1 1/16 | 40 | 3/4 | 19 | 1 1/2 | 12 | Brass |
| F | 9200-0011B | Neoprene | 4 | 10 | 1 1/16 | 40.5 | 3/4 | 19 | 5/16 | 8 | Plastic* |
| | 9200-0003B | Nitrile | 4 | 10 | 1 1/16 | 40.5 | 3/4 | 19 | 5/16 | 8 | Plastic* |
| | 9200-0021B | Neoprene | 4 | 10 | 1 1/16 | 40.5 | 3/4 | 19 | 5/16 | 8 | Brass |
| | 9200-0023-P | Nitrile | 4 | 10 | 1 1/16 | 40.5 | 3/4 | 19 | 5/16 | 8 | Brass |
| G | 653-0001-P | Neoprene | 1 | 6 | 2 | 51 | 7/8 | 22 | 1 1/2 | 12 | Brass |
| | 673-0001-P | Neoprene | 1 or 2 | 6 | 2 | 51 | 7/8 | 22 | 1/2 | 12.7 | Brass |
| (673-Series Impellers may be replaced with the newer 18673-Series - See Impeller Type I) | | | | | | | | | | | |
| G | 4527-0003B | Nitrile | 2 | 6 | 2 | 51 | 7/8 | 22 | 5/16 | 8 | None |
| | 5616-0001-P | Neoprene | 6 | 6 | 2 | 51 | 7/8 | 22 | 1/2 | 12.7 | Brass |
| | 7273-0001-P | Neoprene | 4 | 6 | 2 | 51 | 7/8 | 22 | 5/16 | 8 | Plastic |
| | 273-0003-P | Nitrile | 4 | 6 | 2 | 51 | 7/8 | 22 | 5/16 | 8 | Plastic |
| | 22799-0001-P | Neoprene | 3 | 6 | 2 | 51 | 7/8 | 22 | 1/2 | 12.7 | Brass |
| GG | 18958-0001-P | Neoprene | 3 | 12 | 3 1/4 | 82.5 | 2 3/4 | 73.4 | 2 1/2 | 21 | Brass |
| H | 6303-0001-P | Neoprene | 4 | 6 | 2 | 51 | 7/8 | 22 | 5/16 | 8 | Plastic |
| | 6303-0003-P | Nitrile | 4 | 6 | 2 | 51 | 7/8 | 22 | 5/16 | 8 | Plastic |
| | 17486-0001 | Neoprene | 6 | 6 | 2 | 51 | 7/8 | 22 | 1/2 | 12.7 | Brass** |
| HH | 18777-0001-P | Neoprene | 7 | 10 | 2 1/4 | 57 | 2 | 51 | 3/8 | 16 | Brass |
| I | 18653-0001-P | Neoprene | 1 | 10 | 2 | 51 | 7/8 | 22 | 1/2 | 12 | Brass |
| | 18673-0001-P | Neoprene | 1 or 2 | 10 | 2 | 51 | 7/8 | 22 | 1/2 | 12.7 | Brass |
| | 18673-0003-P | Nitrile | 1 or 2 | 10 | 2 | 51 | 7/8 | 22 | 1/2 | 12.7 | Brass |
| K | 1210-0001-P | Neoprene | 7 | 12 | 2 1/4 | 57 | 1 1/4 | 31.5 | 3/8 | 16 | Brass |
| | 1210-0003-P | Nitrile | 7 | 12 | 2 1/4 | 57 | 1 1/4 | 31.5 | 3/8 | 16 | Brass |
| | 4568-0001-P | Neoprene | 3 | 12 | 2 1/4 | 57 | 1 1/4 | 31.5 | 3/8 | 16 | Brass |
| | 4568-0003-P | Nitrile | 3 | 12 | 2 1/4 | 57 | 1 1/4 | 31.5 | 3/8 | 16 | Brass |
| | 5929-0001-P | Neoprene | 6 | 12 | 2 1/4 | 57 | 1 1/4 | 31.5 | 1/2 | 12.7 | Brass |
| | 5929-0003-P | Nitrile | 6 | 12 | 2 1/4 | 57 | 1 1/4 | 31.5 | 1/2 | 12.7 | Brass |
| | 13554-0001-P | Neoprene | 7 | 12 | 2 1/4 | 57 | 1 3/4 | 48.4 | 3/8 | 16 | Brass |
| | 14281-0001-P | Neoprene | 5 | 12 | 2 1/4 | 57 | 1 1/4 | 31.5 | 3/8 | 16 | Plastic |
| 22120-Series | Neoprene | 7 | 12 | 2 1/4 | 57 | 2 | 51 | 3/8 | 16 | Brass | |
| (22120-Series Impellers may be replaced with the newer 18777-Series - See Impeller Type HH) | | | | | | | | | | | |
| L | 3085-0001-P | Neoprene | 7 | 10 | 2 1/4 | 57 | 1 1/4 | 31.5 | 1/2 | 12.7 | Brass |

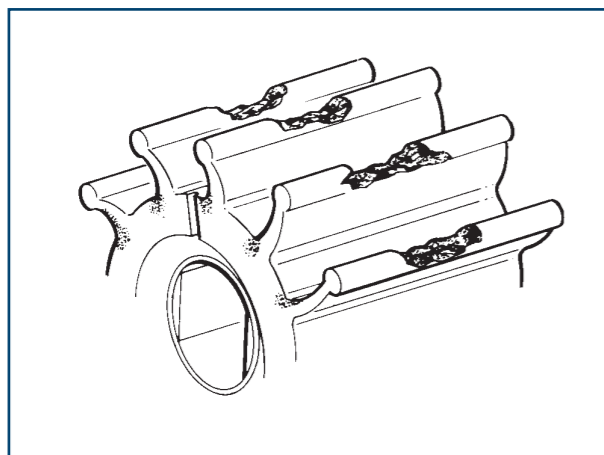


Trouble Shooting 1

- Symptoms:**
- End faces hard and either polished or cracked, like carbon.
 - Some or all blades completely missing.

- Cause:**
- Dry running, lack of water in pump.
 - Temporary suction blockage.
 - Leaking suction plumbing.

- Remedy:**
- Do not run pump for more than 20 seconds without liquid.
 - Install a liquid sensor/temperature alarm.
 - Check suction plumbing, strainers, and thru-hull fittings for blockages and leakage.
 - Arrange discharge plumbing to trap liquid in the pump.

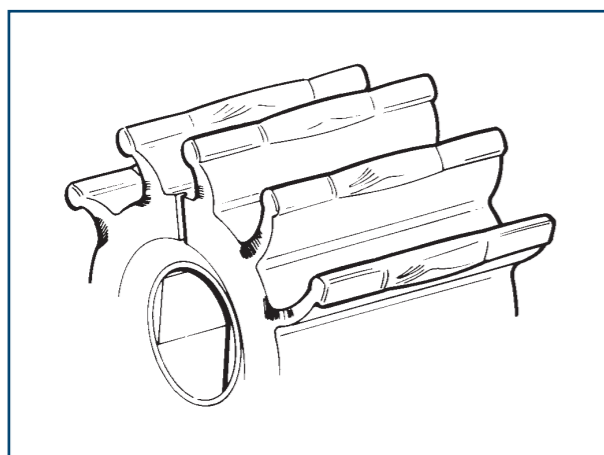


Trouble Shooting 2

- Symptoms:**
- Pieces missing from the middle of blade tips.
 - Blade edges are hollowed out.
 - Pitting is evident on cam and the inside of pump ports, and on ends of impeller.

- Cause:**
- Cavitation, i.e. too much vacuum on inlet is causing water to boil inside pump.

- Remedy:**
- Reduce pump speed.
 - Increase inlet plumbing diameter.
 - Reduce inlet plumbing length and remove unnecessary restrictions.
 - Reduce cam thickness.



Trouble Shooting 3

- Symptoms:**
- Worn blade tips, cam imprint on edges.
 - Worn end faces.
 - Worn impeller drive and shaft wear.

- Cause:**
- Abrasive wear from fluid in pump.
 - Heat exchanger/cooler blockage.
 - High discharge pressure.

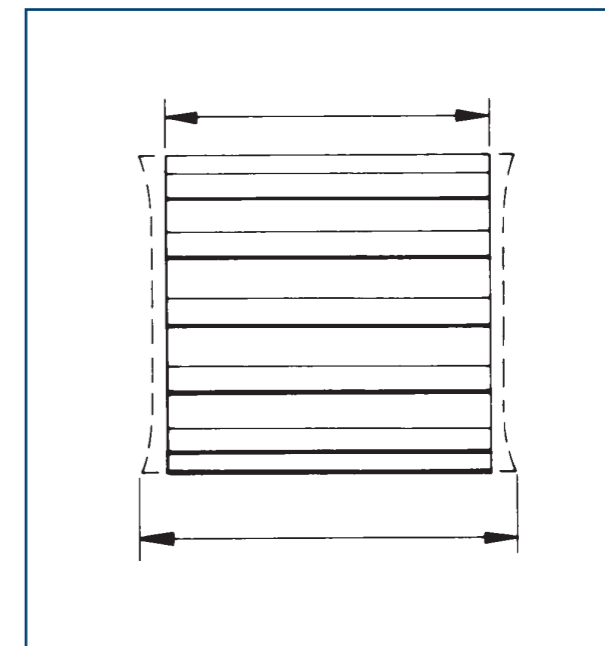
- Remedy:**
- Check discharge plumbing for partial blockages.
 - Increase discharge pipe diameter.

Trouble Shooting 4

- Symptoms:**
- Impeller appears to have swollen.
 - Blades appear wider than impeller hub.
 - Rubber may feel sticky.

- Cause:**
- Chemical attack, more common with oily bilge water or diesel transfer.

- Remedy:**
- Ensure impeller is rinsed after use.
 - Remove impeller when not in use.
 - Remove impeller for long term storage.

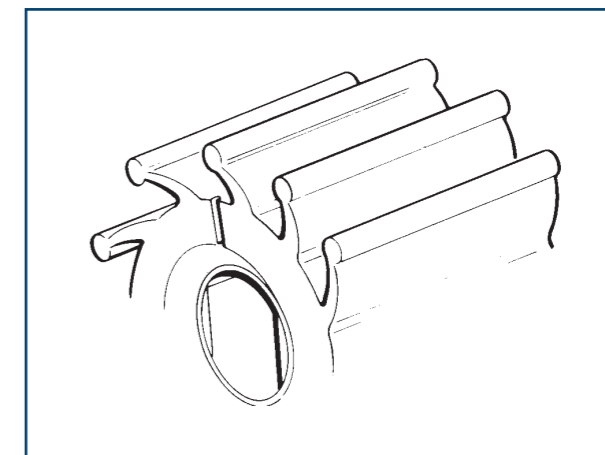


Trouble Shooting 5

- Symptoms:**
- Blades have some or severe permanent set.

- Cause:**
- Normal use of impeller.
 - Long term storage in pump.
 - Normal end of impeller life.

- Remedy:**
- Refit impeller to rotate in opposite direction.
 - Remove impeller for long term storage.
 - Replace impeller.

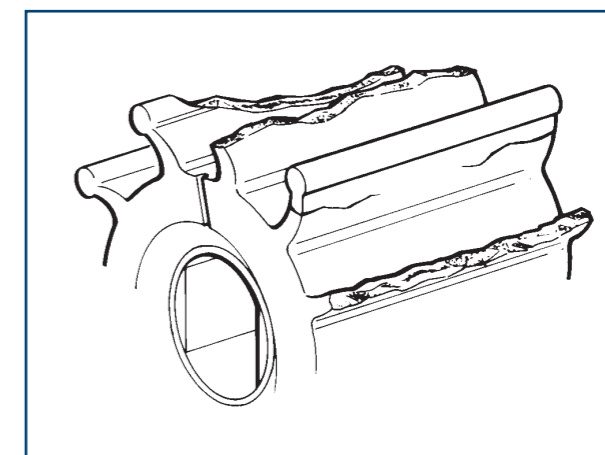


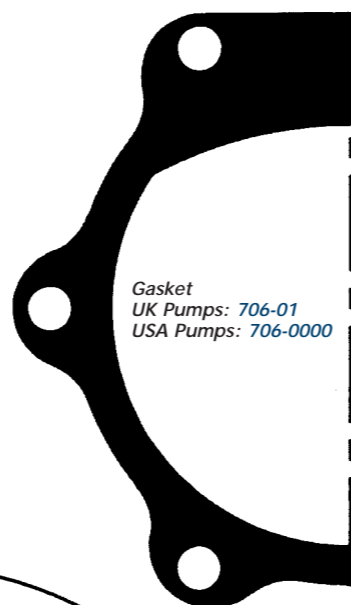
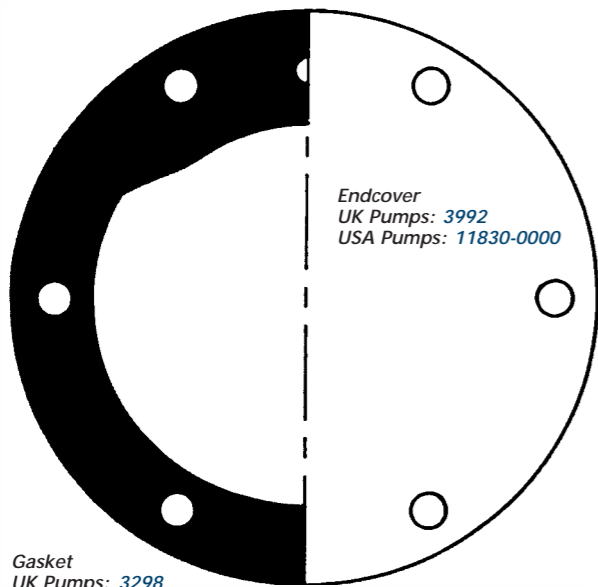
Trouble Shooting 6

- Symptoms:**
- Blades cracked about half way up the length.
 - Some of blades missing.
 - Reduced flow.

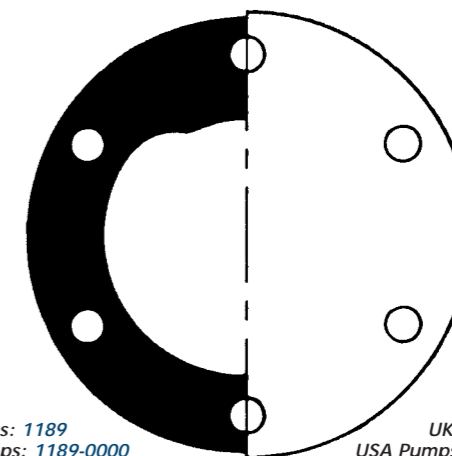
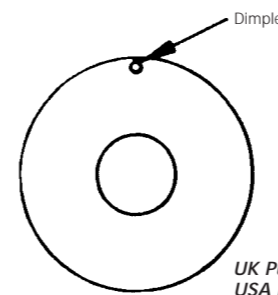
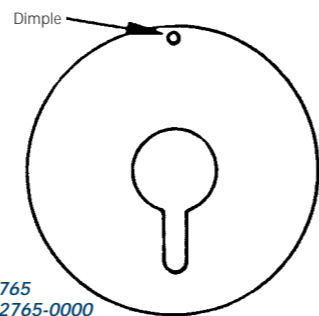
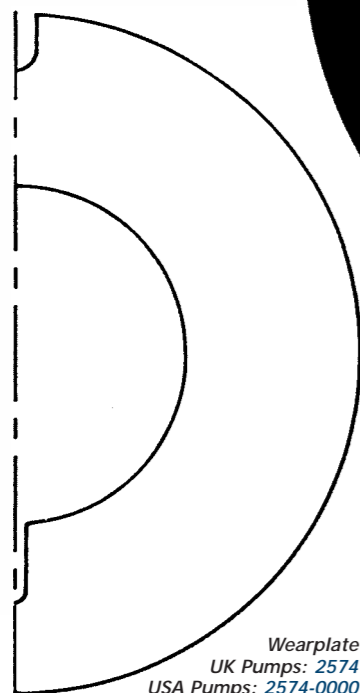
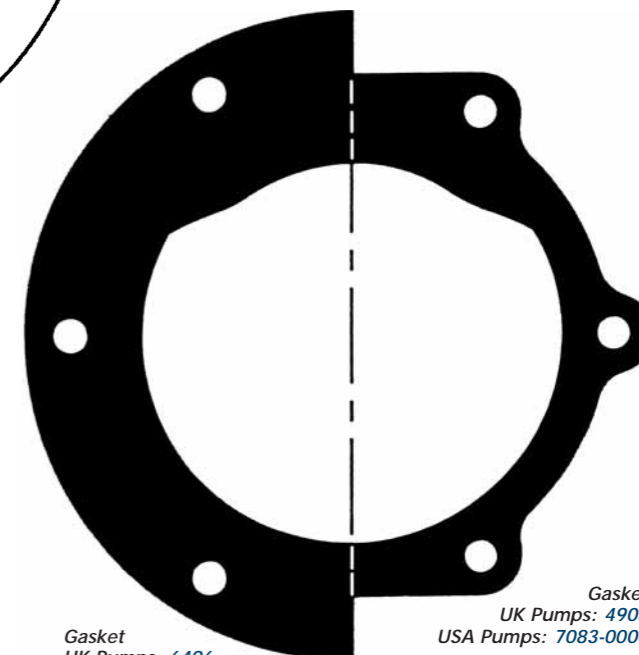
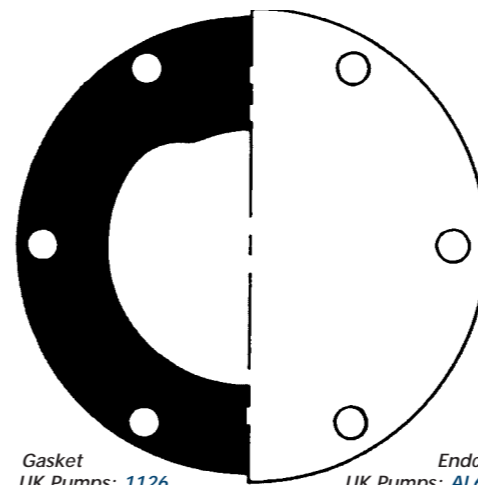
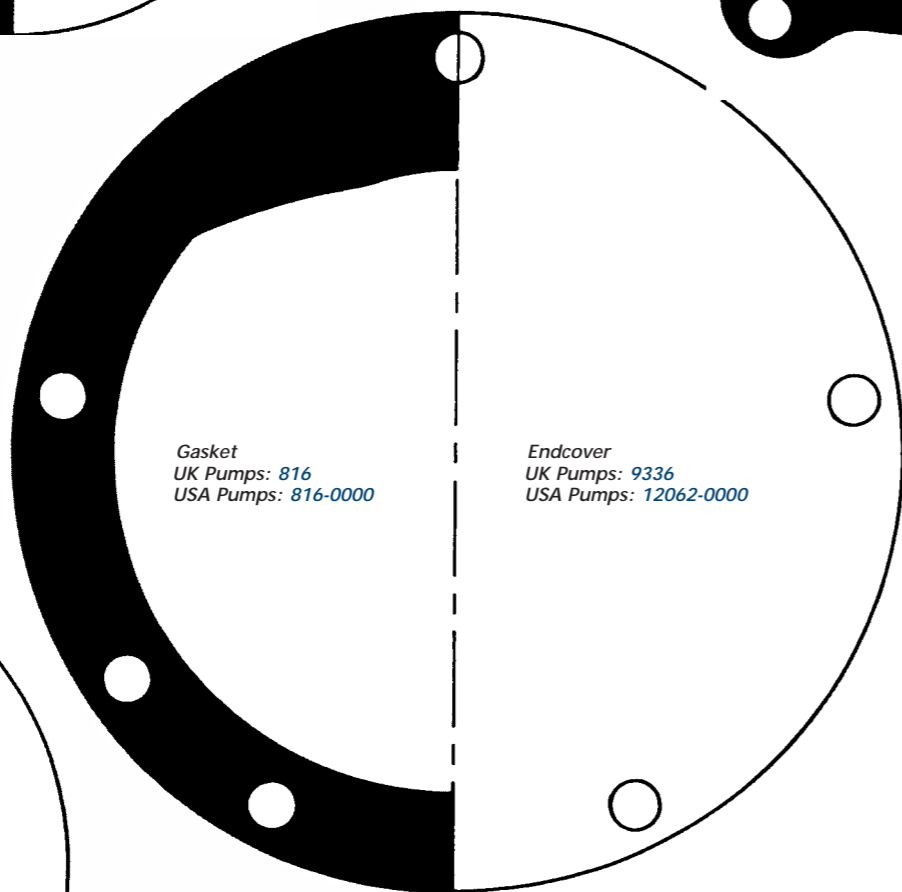
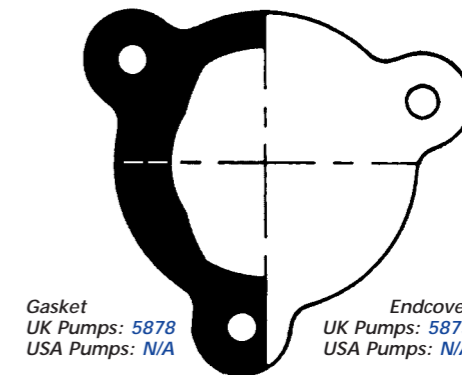
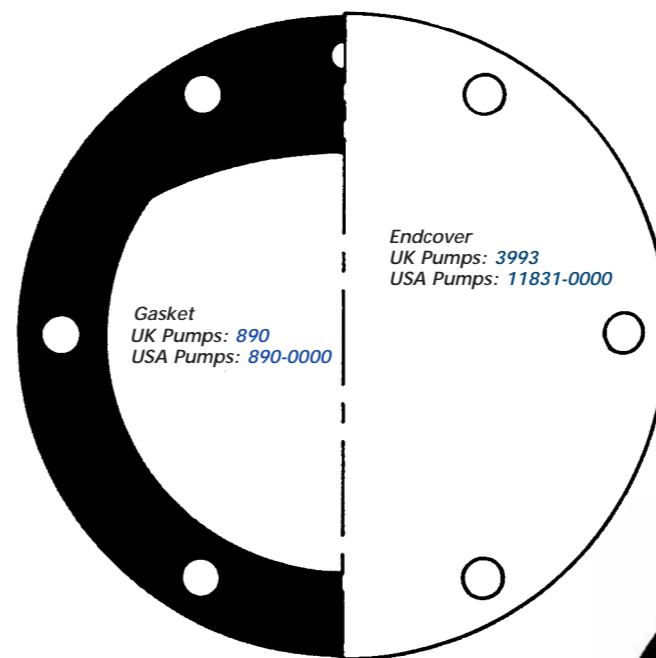
- Cause:**
- Normal end of impeller life.
 - High discharge pressure.

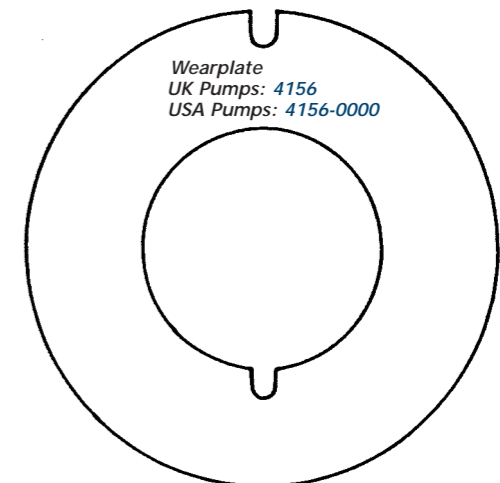
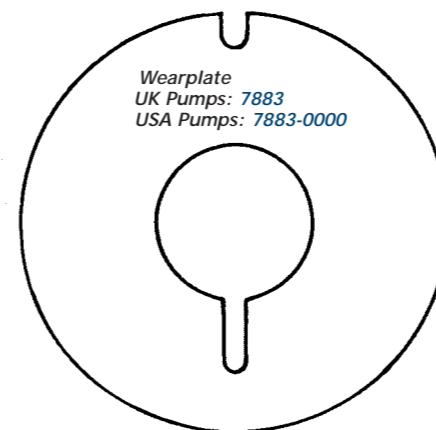
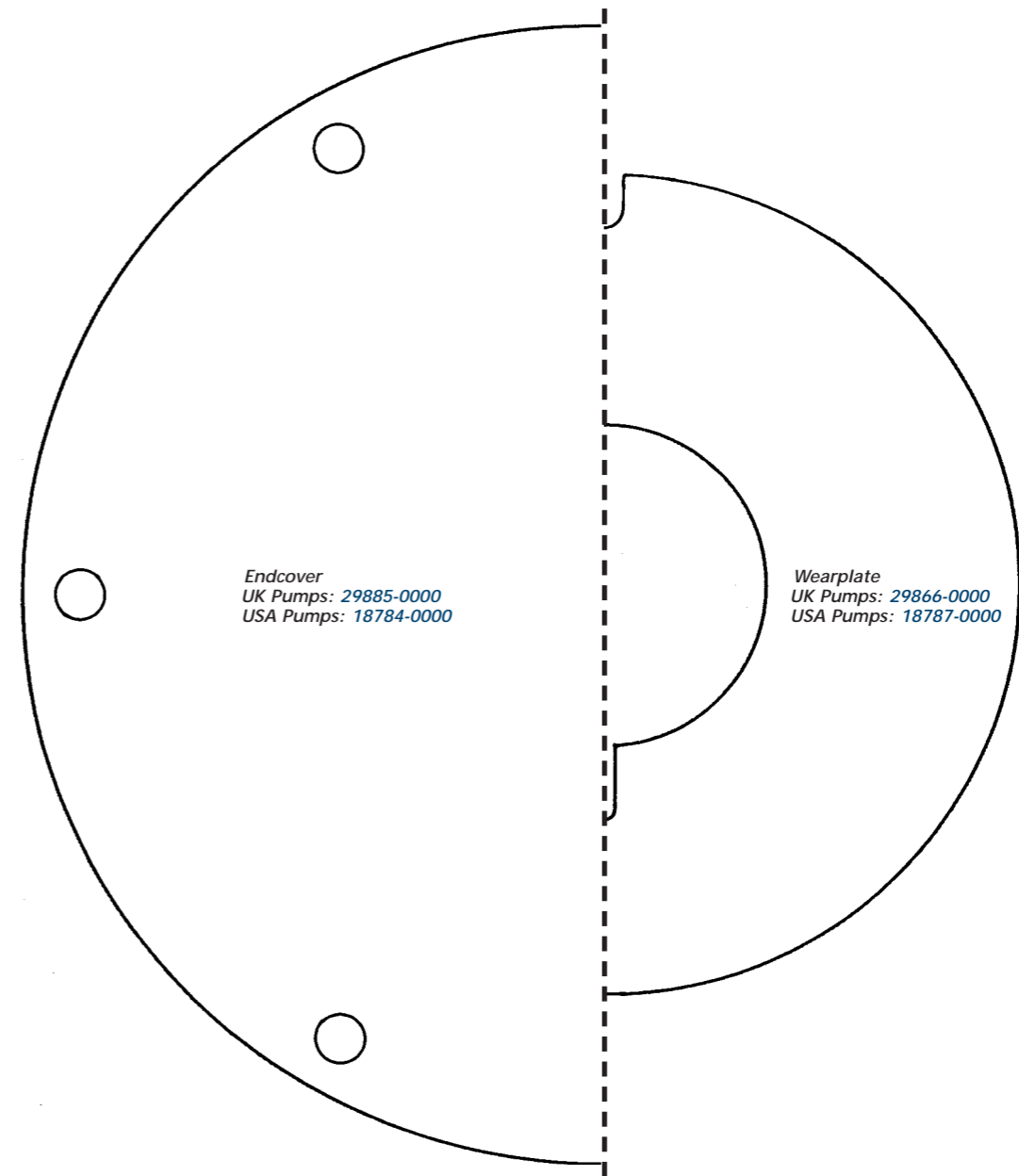
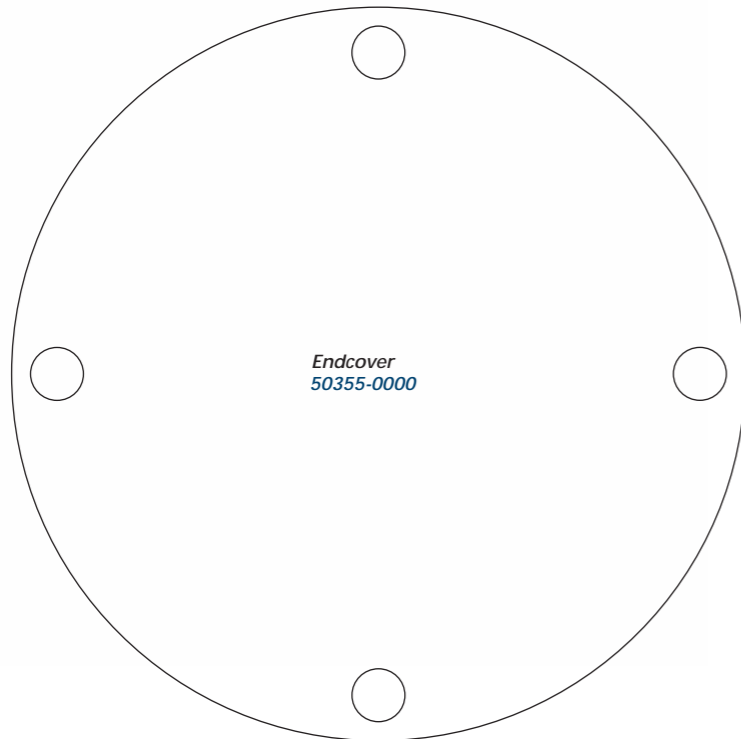
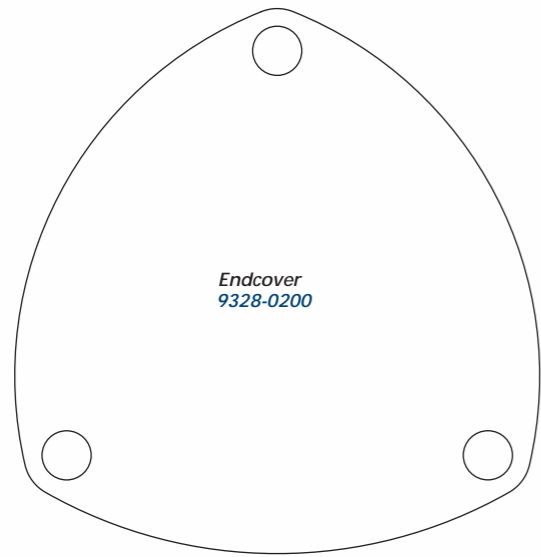
- Remedy:**
- Replace impeller, check for impeller pieces in discharge plumbing.
 - Reduce outlet restrictions or increase outlet plumbing diameter.





Gasket
UK Pumps: 3298
USA Pumps: 3298-0000

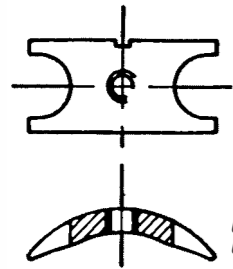




Cam Profiles

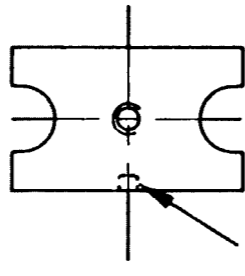
Cam Profiles

Size Group 005

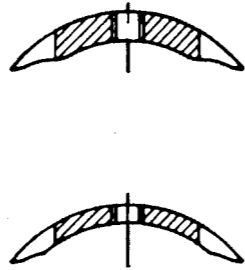


Cam
UK Pumps: 5868
USA Pumps: 8089-0000
Cam Screw
SP1002-01
91002-0010 (USA)

Size Group 010



Slot 2763 & 21233 only

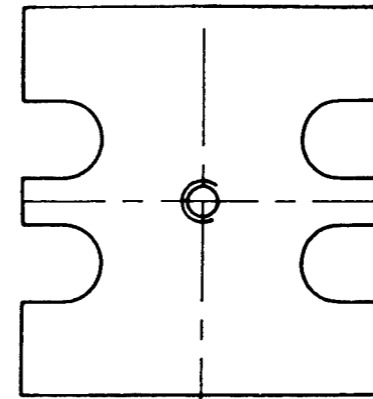


Cam
AL8
29303-0000
UK Pumps: 2763
USA Pumps: 2763-0000
Cam Screw
SP1002-09
91002-0090 (USA)

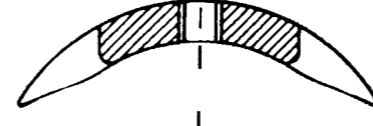


Cam
AL8-01
21233
Cam Screw
SP1002-1

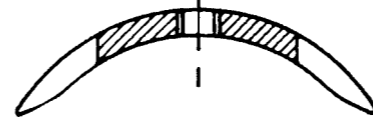
Size Group 060



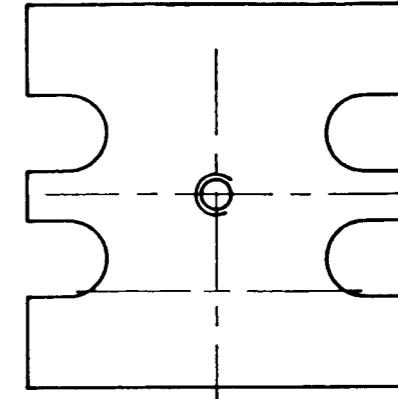
Cam
UK Pumps:
22318
USA Pumps:
18753-0000
Cam Screw
SP1004-11
91004-0110 (USA)
If o-ring endcover
fitted use:
Cam
22318-0100
O-ring
92000-1403
Cam Screw
X3003-149K



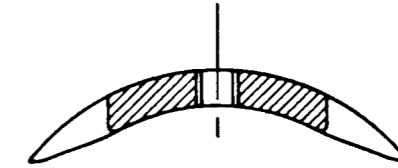
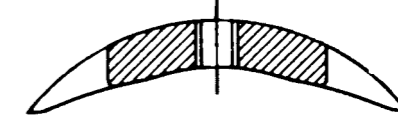
Cam
UK Pumps: 22308
USA Pumps:
22308-0000
Cam Screw
SP1004-10
91004-0100 (USA)



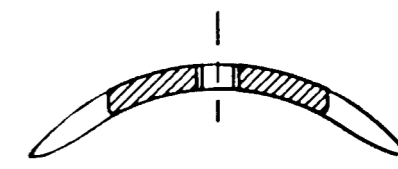
Size Group 080



Cam
UK Pumps:
934
USA Pumps:
934-0000
Cam Screw
SP1004-09
91004-0090 (USA)
If o-ring endcover
fitted use:
Cam
53082-0000
O-ring
X4020-269A
Cam Screw
X3003-176F

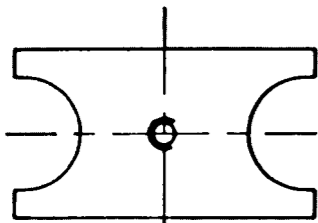


Cam
UK Pumps:
3255
USA Pumps:
3255-0000
Cam Screw
SP1004-11
91004-0110 (USA)



Cam
UK Pumps:
2431
USA Pumps:
2431-0000
Cam Screw
SP1004-10
91004-0100 (USA)

Size Group 020



Cam
10818
Cam Screw
SP1002-02
91002-0020 (USA)

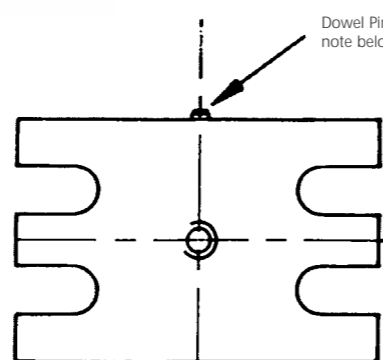


Cam
UK Pumps:
2907-0001
USA Pumps: 2907-0000
Cam Screw
SP1002-09
91002-0090 (USA)



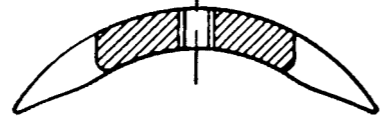
Cam
2441
Cam Screw
SP1010-06

Size Group 040

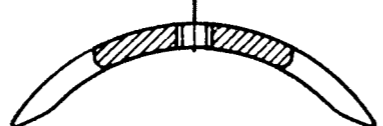


Dowel Pin (see note below).

Cam
UK Pumps:
490
USA Pumps:
490-0000
If o-ring endcover
fitted use:
23826-0000
Cam Screw
SP1003-01
91003-0010 (USA)



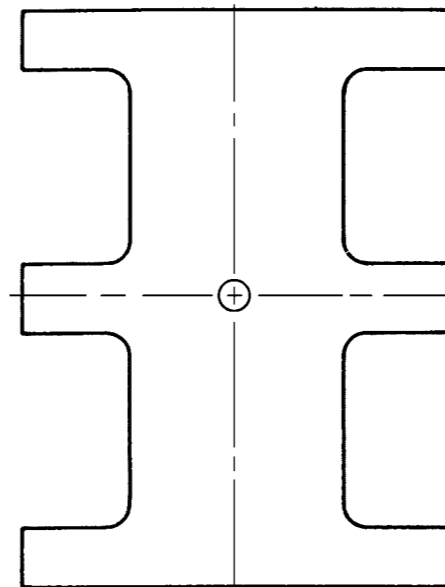
Note:
Assy 5211
(USA Pumps 7876-0000)
includes
Dowel Pin, Cam &
Wearplate.



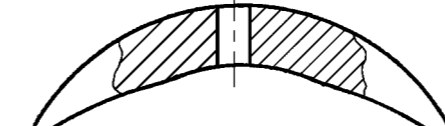
Cam
10336
If o-ring endcover
fitted use:
23826-0100
Cam Screw
SP1003-09

Note:
Assy 7884 includes
Dowel Pin, Cam &
Wearplate.

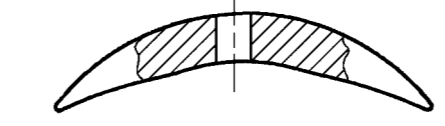
Size Group 120



Cam
23341-0000
Cam Screw
SP1004-09
If o-ring endcover
fitted use:
Cam
23341-0001
O-ring
X4020-269A
Cam Screw
SP1004-09



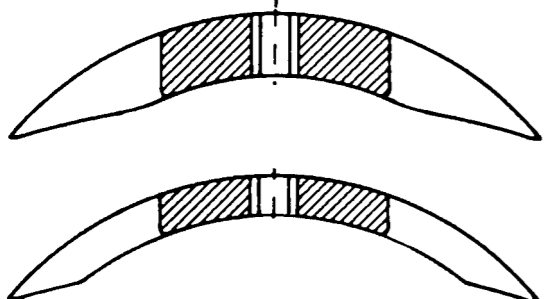
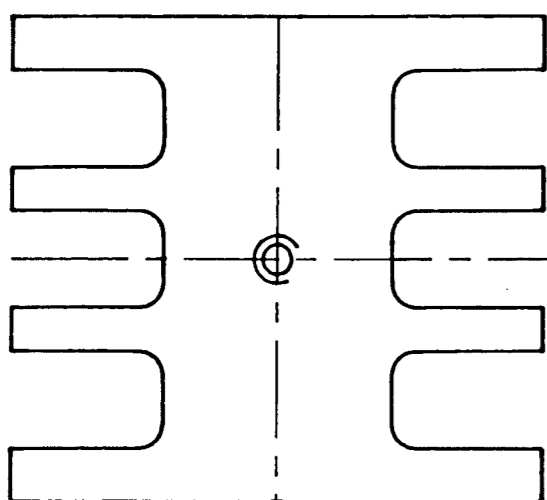
Cam
23342-0000
Cam Screw
SP1004-09



Cam Profiles

Cam Profiles

Size Group 200



Cam
UK Pumps:
834
USA Pumps:
834-0000
Cam Screw
SP1005-04
91005-0040
(USA)

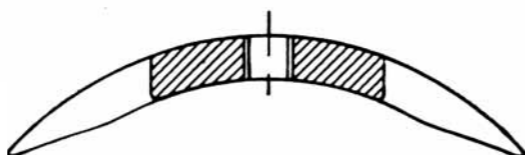
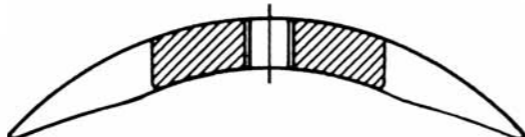
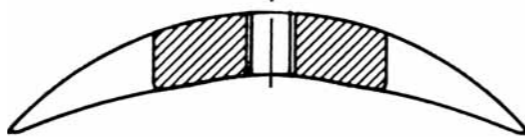
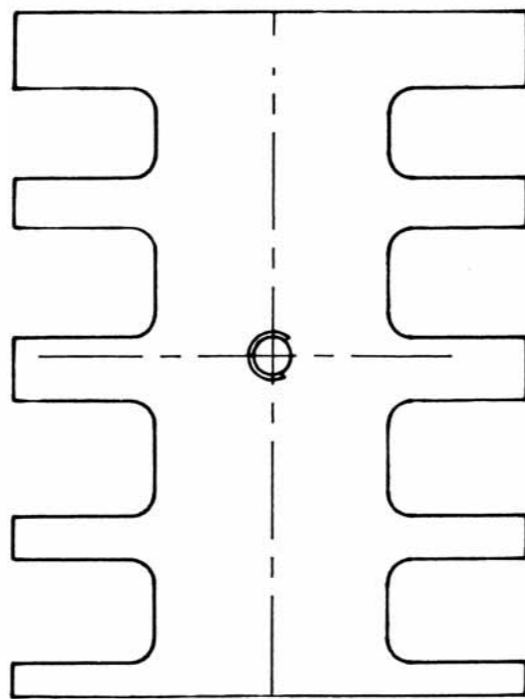
Cam
UK Pumps:
2551
USA Pumps:
2551-0000
Cam Screw
SP1005-05
91005-0050
(USA)

Cam
UK Pumps:
6988
USA Pumps:
6988-0000
Cam Screw
SP1005-04
91005-0040
(USA)

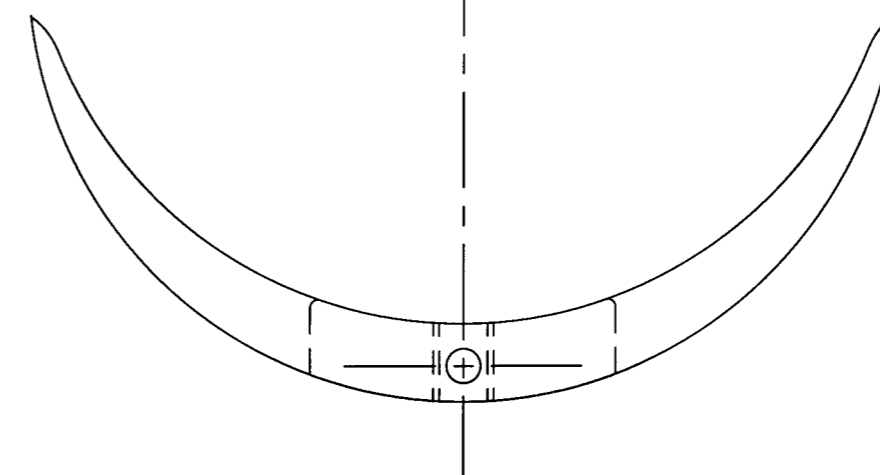
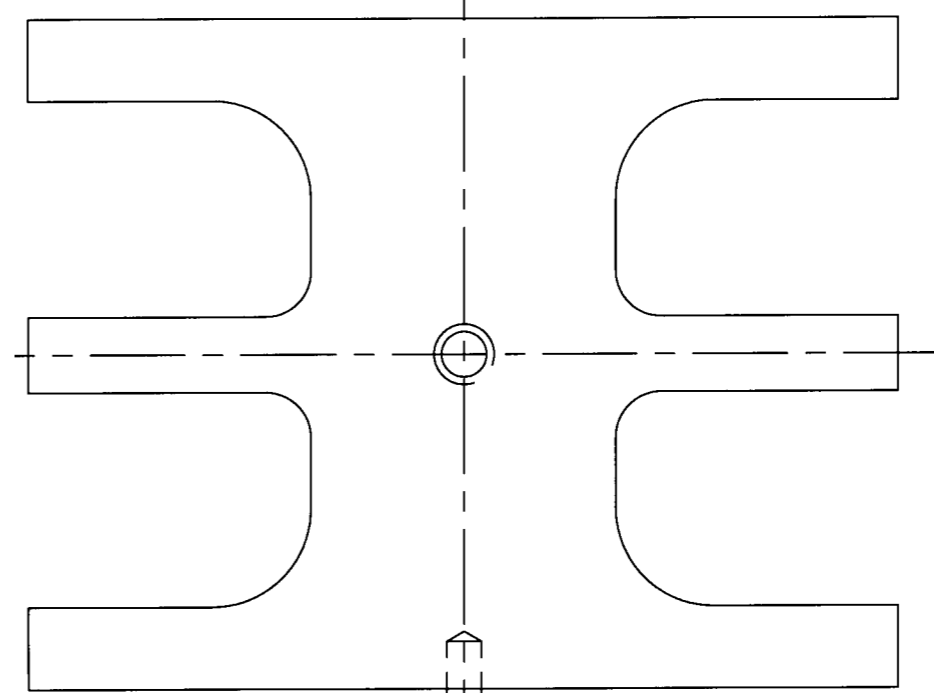
Cam
22039
Cam Screw
SP1005-05

Cam
22268
Cam Screw
SP1005-05

Size Group 270



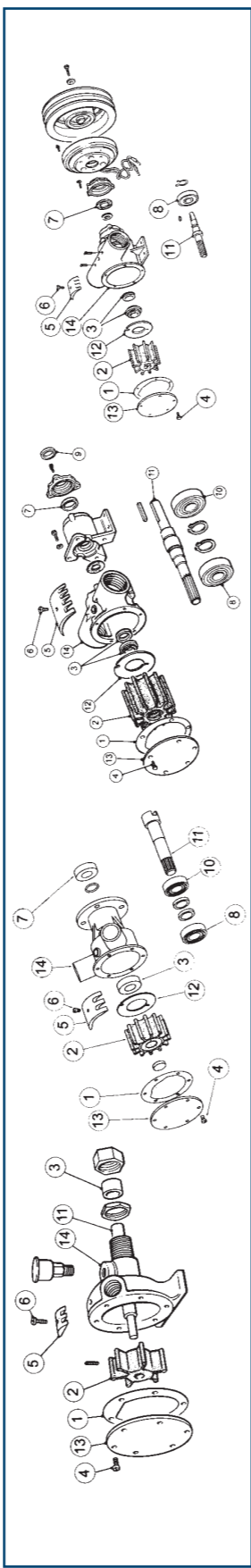
Size Group 470



CAM
29862-0100
CAM SCREW
X3001-207F

Flexible Impeller Pumps Spares by Pump Model 2620-252 to 3370-221

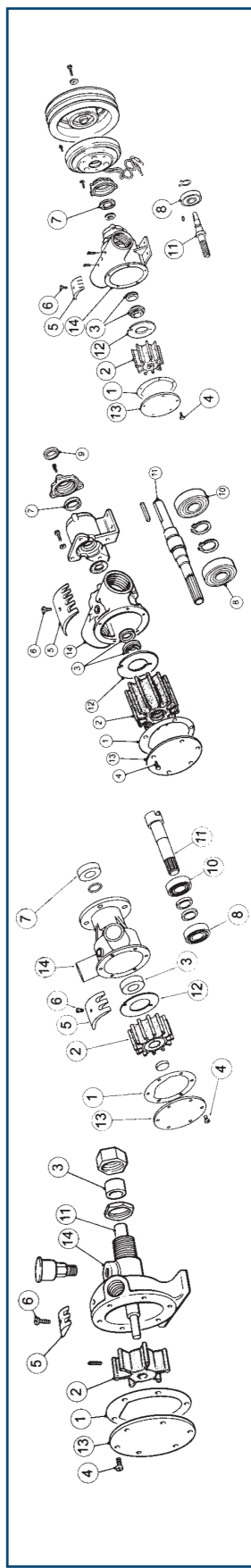
Table with 15 columns: Pump Number, Origin, Pump Size, Port Type, Mount Type, Alternate Part No, JABSCO PUMP DETAILS, SERVICE KIT DETAILS, Water Seal, End Cover Screws, Cam, Cam Screw, Oil Seal, Pump End Bearing, Drive End Oil Seal, Drive End Bearing, Shaft, Wearplate, Endcover, Body. Contains detailed spare parts lists for various pump models.



Flexible Impeller Pumps Spares by Pump Model 3370-241 to 4800-111

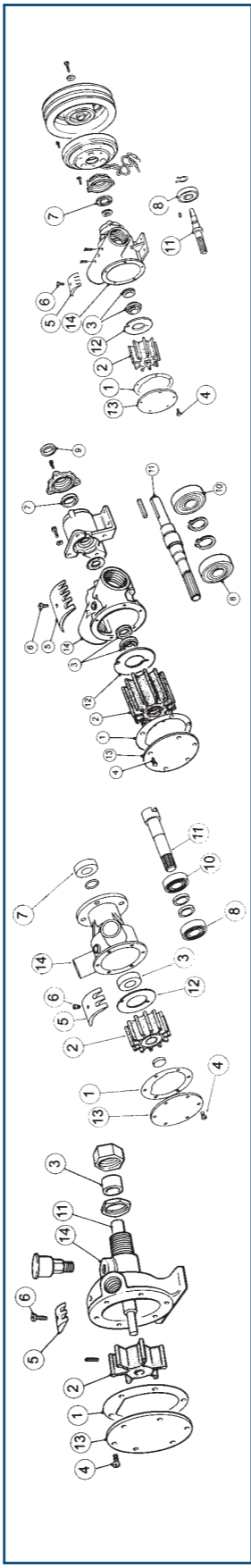


Table with 15 columns: Pump Number, Origin, Pump Size, Port Type, Mount Type, Alternate Part No, JABSCO PUMP DETAILS, SERVICE KIT DETAILS, Water Seal, End Cover Screws, Cam, Cam Screw, Oil Seal, Pump End Bearing, Drive End Oil Seal, Drive End Bearing, Shaft, Wearplate, Endcover, Body. Contains detailed spare parts lists for various pump models.



Flexible Impeller Pumps Spares by Pump Model 6590-200 to 9380

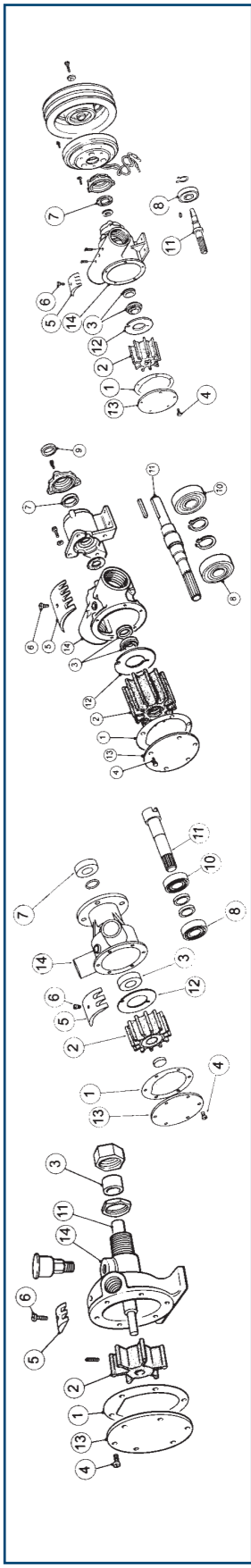
Table with columns: Pump Number, Origin, Pump Size, Port Type, Mount Type, Alternate Part No, Kit Number, Gasket/O-ring, Impeller, Seal, End Cover Screws, Cam, Cam Screw, Pump End Oil Seal, Pump End Bearing, Drive End Oil Seal, Drive End Bearing, Shaft, Wearplate, Endcover, Body. Lists spare parts for models 6590-200 through 9380.



Flexible Impeller Pumps Spares by Pump Model 9400 to 9900

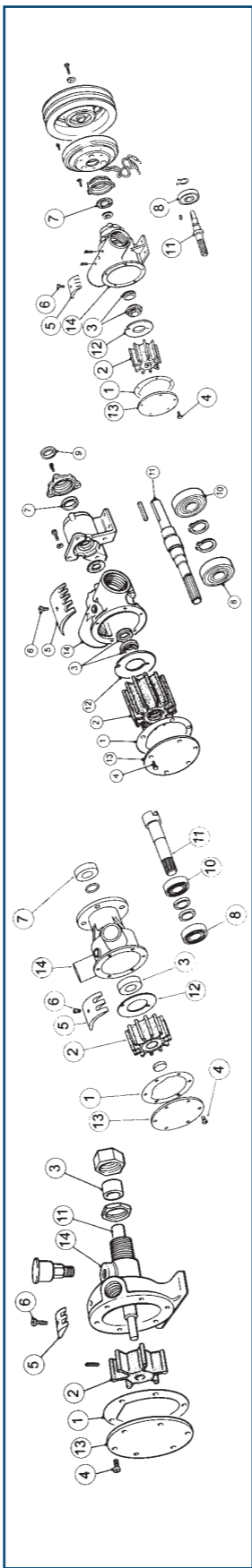


Table with columns: Pump Number, Origin, Pump Size, Port Type, Mount Type, Alternate Part No, Kit Number, Gasket/O-ring, Impeller, Seal, End Cover Screws, Cam, Cam Screw, Pump End Oil Seal, Pump End Bearing, Drive End Oil Seal, Drive End Bearing, Shaft, Wearplate, Endcover, Body. Lists spare parts for models 9400 through 9900.



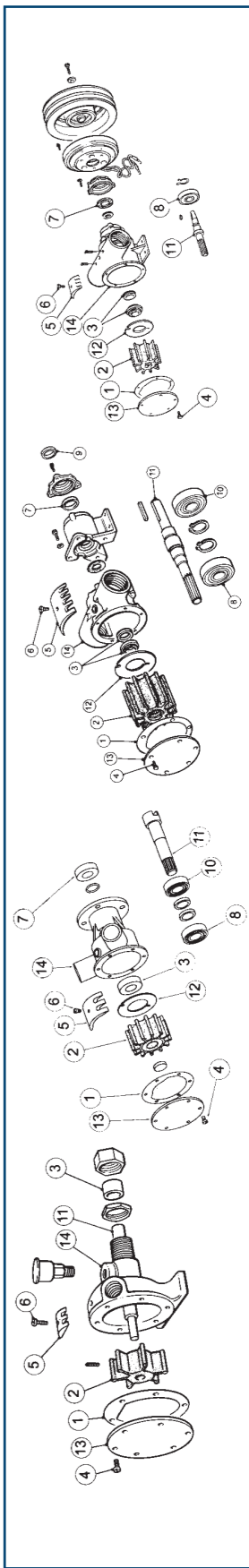
Flexible Impeller Pumps Spares by Pump Model 9900-0001 to 10590-22

Table with columns: Pump Number, Origin, Pump Size, Port Type, Mount Type, Alternate Part No, JABSCO PUMP DETAILS, SERVICE KIT DETAILS, GENERAL PARTS LISTING (Cam, Screw, End Cover, Seal, Water, Impeller, Oil Seal, Gasket/O Ring, Kit Number, Key, etc.), Drive End Oil Seal, Drive End Bearing, Drive End Shaft, Wearplate, Endcover, Body.



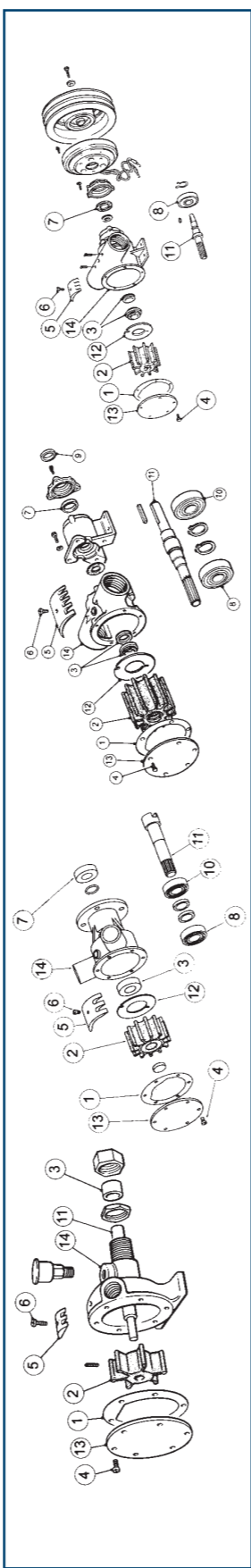
Flexible Impeller Pumps Spares by Pump Model 10590-61 to 10800-21

Table with columns: Pump Number, Origin, Pump Size, Port Type, Mount Type, Alternate Part No, JABSCO PUMP DETAILS, SERVICE KIT DETAILS, GENERAL PARTS LISTING (Cam, Screw, End Cover, Seal, Water, Impeller, Oil Seal, Gasket/O Ring, Kit Number, Key, etc.), Drive End Oil Seal, Drive End Bearing, Drive End Shaft, Wearplate, Endcover, Body.



Flexible Impeller Pumps Spares by Pump Model 10880-51 to 11150-0011

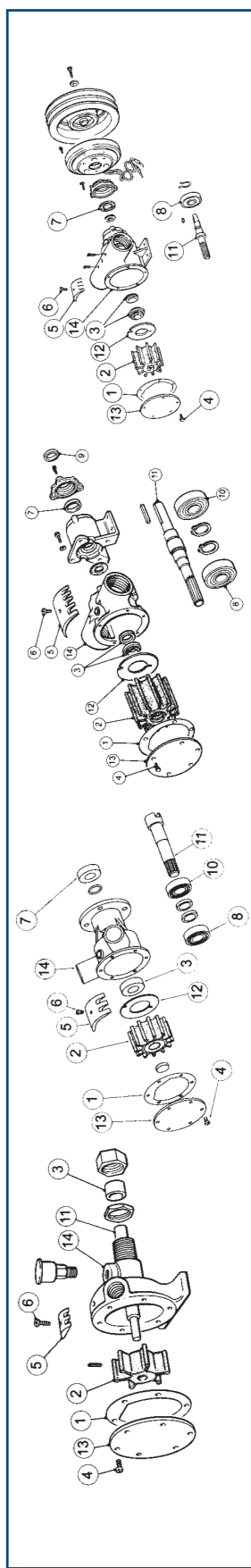
Table with columns: Pump Number, Origin, Pump Size, Port Type, Mount Type, Alternate Part No, Oselete, Kit Number, Gasket/O Ring, Impeller, Water Seal, End Cover Screws, Cam, Cam Screw, Pump End Oil Seal, Pump End Oil Seal Bearing, Drive End Oil Seal, Drive End Bearing, Shaft, Wearplate, Endcover, Body. Lists various spare parts for pump models 10880-0051 to 11150-0011.



Flexible Impeller Pumps Spares by Pump Model 11260-200 to 11860-0007

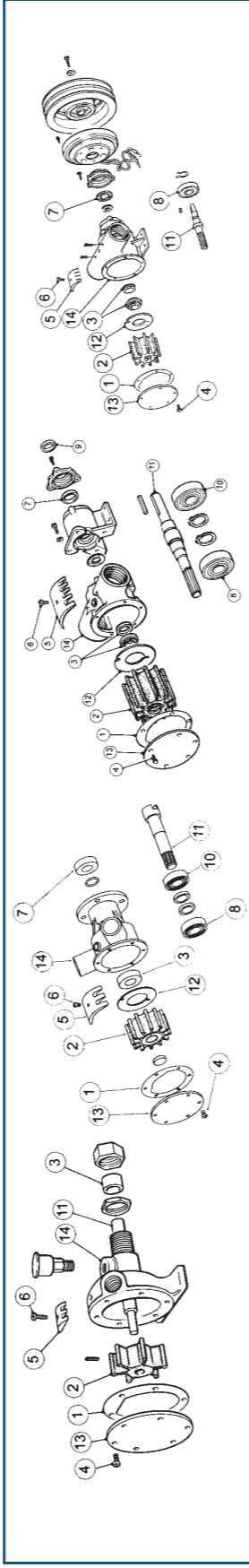


Table with columns: Pump Number, Origin, Pump Size, Port Type, Mount Type, Alternate Part No, Oselete, Kit Number, Gasket/O Ring, Impeller, Water Seal, End Cover Screws, Cam, Cam Screw, Pump End Oil Seal, Pump End Oil Seal Bearing, Drive End Oil Seal, Drive End Bearing, Shaft, Wearplate, Endcover, Body. Lists various spare parts for pump models 11260-200 to 11860-0007.



Flexible Impeller Pumps Spares by Pump Model
23800-0201 to 29450-1431

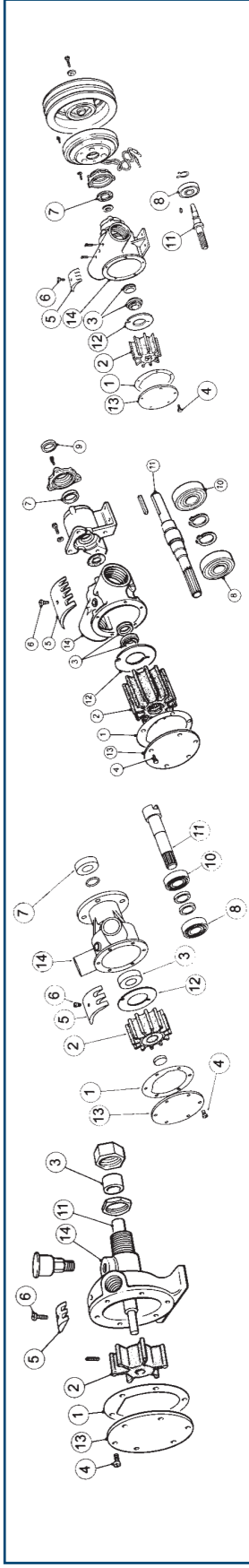
Table with columns: Pump Number, Origin, Pump Size, Port Type, Mount Type, Alternate Part No, Obsolete, Kit Number, Gasket/O-ring, Impeller, Water Seal, End Cover Screws, Cam, Cam Screw, Oil Seal, Drive End Oil Seal, Drive End Bearing, Shaft, Wearplate, Endcover, Body. Lists various spare parts for pump models 23800-0201 through 29450-1431.



Flexible Impeller Pumps Spares by Pump Model
29450-1601 to 29470-2531C

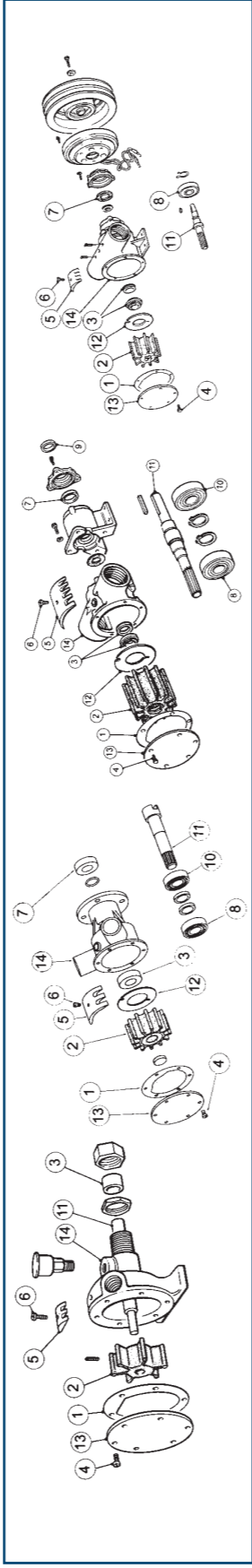


Table with columns: Pump Number, Origin, Pump Size, Port Type, Mount Type, Alternate Part No, Obsolete, Kit Number, Gasket/O-ring, Impeller, Water Seal, End Cover Screws, Cam, Cam Screw, Oil Seal, Drive End Oil Seal, Drive End Bearing, Shaft, Wearplate, Endcover, Body. Lists various spare parts for pump models 29450-1601 through 29470-2531C.



Flexible Impeller Pumps Spares by Pump Model 50080-2203 to 50270-2913

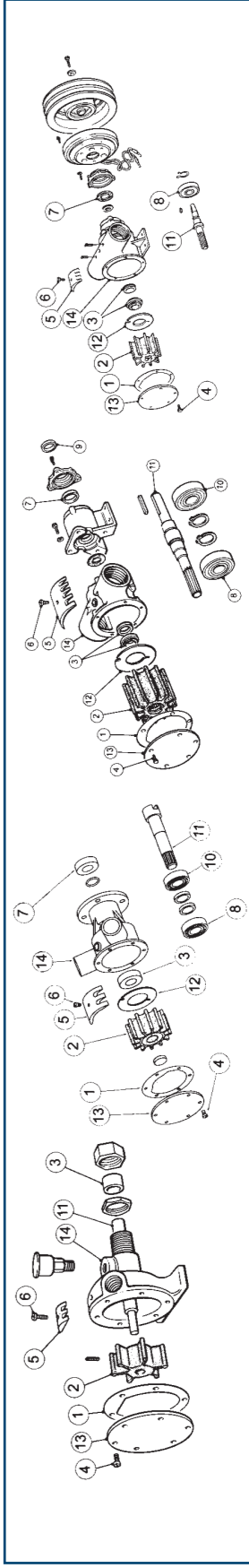
Table listing spare parts for flexible impeller pumps models 50080-2203 to 50270-2913. Columns include Pump Number, Origin, Pump Size, Port Type, Mount Type, Obsolete, Alternate Part No, Kit Number, Gasket/O-Ring, Impeller, Water Seal, End Cover Screws, Cam, Cam Screw, Pump End Oil Seal, Drive End Oil Seal, Drive End Bearing, Shaft, Wearplate, Endcover, and Body (GEM supply only).



Flexible Impeller Pumps Spares by Pump Model 50280-2001 to 5020-2051

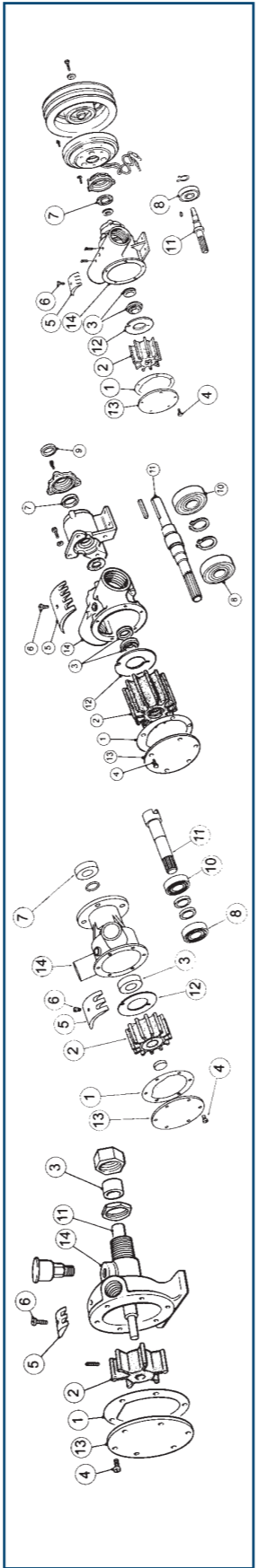


Table listing spare parts for flexible impeller pumps models 50280-2001 to 5020-2051. Columns include Pump Number, Origin, Pump Size, Port Type, Mount Type, Obsolete, Alternate Part No, Kit Number, Gasket/O-Ring, Impeller, Water Seal, End Cover Screws, Cam, Cam Screw, Pump End Oil Seal, Drive End Oil Seal, Drive End Bearing, Shaft, Wearplate, Endcover, and Body (GEM supply only).

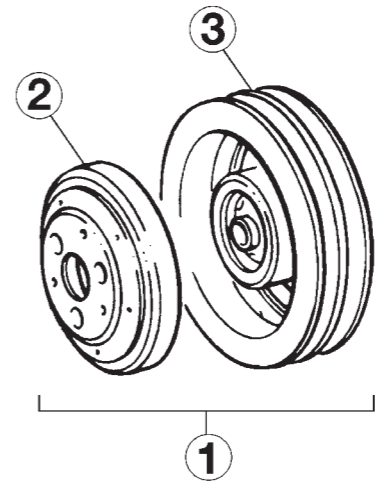


Flexible Impeller Pumps Spares by Pump Model 52040-2001 to 52270-2041

| Pump Number | Origin | Pump Size | Port Type | Mount Type | JABSCO PUMP DETAILS | | SERVICE KIT DETAILS | | | | GENERAL PARTS LISTING | | | | | | | | | |
|--------------|--------|-----------|----------------|------------|---------------------|------------|---------------------|---------------|-------------|-------------|-----------------------|-----------|-------------|-------------------|------------------|--------------------|-------------------|-------|------------|------------|
| | | | | | Alternate Part No | Obsolte | Kit Number | Gasket/O Ring | Impeller | Water Seal | End Cover Screws | Cam | Cam Screw | Pump End Oil Seal | Pump End Bearing | Drive End Oil Seal | Drive End Bearing | Shaft | Wearplate | Endcover |
| 52040-2001 | UK | 040 | 1/4" BSP | Foot | | SK384-0101 | 3298 | 1210-0001 | SP2701-1015 | X3001-095F | 490 | SP1003-01 | SP2700-1027 | SP2601-0451 | SP2701-1015 | SP2601-0451 | 52047-0000 | --- | 3992 | 52044-2000 |
| 52040-2003 | UK | 040 | 1/4" BSP | Foot | | SK384-0101 | 3298 | 1210-0003 | SP2701-1015 | X3001-095F | 490 | SP1003-01 | SP2700-1027 | SP2601-0451 | SP2701-1015 | SP2601-0451 | 52047-0000 | --- | 3992 | 52044-2000 |
| 52040-2021 | UK | 040 | 1/4" BSP | Foot | | SK384-0101 | 3298 | 3085-0001 | SP2701-1015 | X3001-095F | 490 | SP1003-01 | SP2700-1027 | SP2601-0451 | SP2701-1015 | SP2601-0451 | 52047-0000 | --- | 3992 | 52044-2000 |
| 52040-2401 | UK | 040 | 1/4" BSP | Foot | | SK384-0101 | 3298 | 1210-0001 | SP2701-1015 | X3001-095F | 4906 | SP1003-01 | SP2700-1027 | SP2601-0451 | SP2701-1015 | SP2601-0451 | 52047-0000 | --- | 3992 | 52044-2000 |
| 52051-2051 | UK | 040 | 1/4" BSP | Foot | | SK384-0101 | 3298 | 1210-0001 | SP2701-1015 | X3001-095F | 10336 | SP1003-01 | SP2700-1027 | SP2601-0451 | SP2701-1015 | SP2601-0451 | 52047-0000 | --- | 3992 | 52044-2000 |
| 52080-2001 | UK | 080 | 1" BSP | Foot | | SK406-0001 | 890 | 17937-0001 | SP2700-1027 | X3001-147F | 934 | SP1004-09 | SP2700-48 | SP2600-06 | SP2700-1027 | --- | 52087-0000 | 4156 | 3993 | 50084-2100 |
| 52080-2003 | UK | 080 | 1" BSP | Foot | | SK406-0003 | 890 | 17937-0003 | SP2700-1027 | X3001-147F | 934 | SP1004-09 | SP2700-48 | SP2600-06 | SP2700-1027 | --- | 52087-0000 | 4156 | 3993 | 50084-2100 |
| 52080-2021 | UK | 080 | 1" BSP | Foot | | SK406-0021 | 890 | 5915-0001 | SP2700-1027 | X3001-147F | 934 | SP1004-09 | SP2700-48 | SP2600-06 | SP2700-1027 | --- | 52087-0000 | 4156 | 3993 | 50084-2100 |
| 52080-2041 | UK | 080 | 1" BSP | Foot | x | SK406-0001 | 890 | 17937-0001 | SP2700-1027 | X3001-147F | 934 | SP1004-09 | SP2700-48 | SP2600-06 | SP2700-1027 | --- | 52087-0000 | 4156 | 3993 | 50084-2100 |
| 52080-2051 | UK | 080 | 1" BSP | Foot | | SK406-0001 | 890 | 17937-0001 | SP2700-1027 | X3001-147F | 2431 | SP1004-10 | SP2700-48 | SP2600-06 | SP2700-1027 | --- | 52087-0000 | 4156 | 3993 | 50084-2100 |
| 52080-2101 | UK | 080 | 1" BSP | Foot | | SK406-0001 | 890 | 17937-0001 | SP2700-1027 | X3001-176F | 934 | SP1004-09 | SP2700-48 | SP2600-06 | SP2700-1027 | --- | 52087-0000 | 4156 | 3993 | 50084-2200 |
| 52580-series | UK | 080 | 1" BSP/NPT | Foot | | X4020-269A | | 96080-0620 | SP2700-1027 | X3003-176F | 934 | SP1004-09 | SP2700-48 | SP2600-06 | SP2700-1027 | --- | 52087-0000 | 4156 | 3993 | 50355-0000 |
| 52200-0011 | UK | 200 | 1 1/2" BSP | Foot | x | SK407-0001 | 816 | 17935-0001 | 21849 | X3001-176F | 834 | SP1005-04 | SP2700-50 | SP2600-04 | SP2701-1013 | --- | 52207-0000 | 2574 | 9336 | 50204-2100 |
| 52200-2003 | UK | 200 | 1 1/2" BSP | Foot | | SK407-0003 | 816 | 836-0003 | 21849 | X3001-176F | 834 | SP1005-04 | SP2700-50 | SP2600-04 | SP2701-1013 | --- | 52207-0000 | 2574 | 9336 | 50204-2100 |
| 52200-2011 | UK | 200 | 1 1/2" BSP | Foot | | SK407-0011 | 816 | 17935-0001 | 21849 | X3001-176F | 834 | SP1005-04 | SP2700-50 | SP2600-04 | SP2701-1013 | --- | 52207-0000 | 2574 | 9336 | 50204-2100 |
| 52200-2041 | UK | 200 | 1 1/2" BSP | Foot | | SK407-0011 | 816 | 17935-0001 | 21849 | X3001-176F | 834 | SP1005-04 | SP2700-50 | SP2600-04 | SP2701-1013 | --- | 52207-0000 | 2574 | 9336 | 50204-2100 |
| 52200-2051 | UK | 200 | 1 1/2" BSP | Foot | | SK407-0011 | 816 | 17935-0001 | 21849 | X3001-176F | 2551 | SP1005-05 | SP2701-54 | SP2601-0458 | SP2701-1013 | SP2601-0458 | 52227-0000 | 2574 | 9336 | 10634 |
| 52220-0011 | UK | 200 | 1 1/2" Flanged | Foot | | SK407-0011 | 816 | 17935-0001 | 21849 | X3001-176F | 2551 | SP1005-05 | SP2701-54 | SP2601-0458 | SP2701-1013 | SP2601-0458 | 52227-0000 | 2574 | 9336 | 10634 |
| 52270-0011 | UK | 270 | 2" Flanged | Foot | | SK408-0011 | 816 | 17936-0001 | 21849 | SP1095-0640 | 6988 | SP1005-04 | SP2701-54 | SP2601-0458 | SP2701-1013 | SP2601-0458 | 52277-0000 | 2574 | 9336 | 10494 |
| 52270-2011 | UK | 270 | 2" BSP | Foot | | SK408-0011 | 816 | 17936-0001 | 21849 | X3001-176F | 6988 | SP1005-04 | SP2701-54 | SP2601-0458 | SP2701-1013 | SP2601-0458 | 52277-0000 | 2574 | 9336 | 50274-2100 |
| 52270-2013 | UK | 270 | 2" BSP | Foot | | SK408-0013 | 816 | 6760-0003 | 21849 | X3001-176F | 6988 | SP1005-04 | SP2701-54 | SP2601-0458 | SP2701-1013 | SP2601-0458 | 52277-0000 | 2574 | 9336 | 50274-2100 |
| 52270-2041 | UK | 270 | 2" BSP | Foot | | SK408-0011 | 816 | 21676-0001 | 21849 | X3001-176F | | | | | | | 2574 | 9336 | 50274-2100 | |



Electromagnetic Clutch Pump Clutch Parts



| Key | Description | 11860 Series | 11870 Series | 18330 Series |
|-----|----------------------------|--------------|--------------|--------------|
| 1 | 12v - 2-A Grooves Complete | 92300-0030 | 92300-0030 | 92300-0030 |
| 1 | 12v - 1-B Groove Complete | 18753-0493 | 18753-0493 | 18753-0493 |
| 1 | 24v - 2-A Grooves Complete | 92300-0061 | 92300-0061 | 92300-0061 |
| 1 | 24v - 1-B Groove Complete | 18753-0494 | 18753-0494 | 18753-0494 |
| 1 | 32v - 2-A Grooves Complete | 92300-0050 | - | - |
| 2 | Replacement Field Coil 12v | 98022-0500 | 98022-0500 | 98022-0500 |
| 2 | Replacement Field Coil 24v | 98022-2155 | 98022-2155 | 98022-2155 |
| 2 | Replacement Field Coil 32v | 98022-0510 | 98022-0510 | 98022-0510 |

| Key | Description | 21960 Series (Obsolete) | 10670 Series (Obsolete) | 10680 Series (Obsolete) |
|-----|----------------------------|-------------------------|-------------------------|-------------------------|
| 2 | Replacement Field Coil 12v | SP2300-0063FC | SP2300-0063FC | SP2300-0063FC |
| 2 | Replacement Field Coil 24v | SP2300-0064FC | SP2300-0064FC | SP2300-0064FC |
| 3 | 2-A Groove Pulley | SP2300-0061RA | SP2300-0061RA | SP2300-0061RA |
| 3 | 1-B Groove Pulley | SP2300-0063RA | SP2300-0063RA | SP2300-0063RA |

| Key | Description | 50080/50580 Series | 50200 Series | 50220 Series | 50270 Series |
|-----|----------------------------|--------------------|---------------|---------------|---------------|
| 2 | Replacement Field Coil 12v | SP2300-0063FC | SP2300-0063FC | SP2300-0063FC | SP2300-0063FC |
| 2 | Replacement Field Coil 24v | SP2300-0064FC | SP2300-0064FC | SP2300-0064FC | SP2300-0064FC |
| 3 | 2-A Groove Pulley | SP2300-0061RA | SP2300-0061RA | SP2300-0061RA | SP2300-0061RA |
| 3 | 1-B Groove Pulley | SP2300-0063RA | SP2300-0063RA | SP2300-0063RA | SP2300-0063RA |



Obsolete to Current Jabsco Parts Table



| Obsolete Jabsco Part No | Description | Current Jabsco art No. |
|-------------------------|---------------|------------------------|
| 355-24 | Shaft | 355-07-24 |
| 410 | Seal Assembly | 21849 |
| 653-0001 | Impeller | 18653-0001B |
| 686 | Seal Assembly | 21849 |
| 688-21 | Shaft | 688-21-24 |
| 818 | Lip Seal | SP2700-49 |
| 833 | Seal Assembly | 21849 |
| 913 | Lip Seal | SP2700-48 |
| 914 | Lip Seal | SP2700-47 |
| 1040-0000 | Lip Seal | SP2701-52 |
| 2577 | Seal Assembly | 21849 |
| 2620-211 | Pump | 2620-200 |
| 2620-221 | Pump | 2620-200 |
| 2620-254 | Pump | 2620-252 |
| 2620-281 | Pump | 2620-252 |
| 2877-0001 | Impeller | 4568-0001B |
| 2877-0003 | Impeller | 4568-0003B |
| 3200-01 | Pump | 9440-200 |
| 3214 | Lip Seal | SP2700-59 |
| 3266 | Cam/Wearplate | 7884 |
| 3270-200 | Pump | 29500-1001 |
| 3288 | Gasket | 3298 |
| 3370-200 | Pump | 9970-200 |
| 3370-251 | Pump | 9970-261 |
| 3380-200 | Pump | 9970-200 |
| 3380-221 | Pump | 9970-200 |
| 3996 | End Cover | 9336 |
| 4511 | Seal Ring | 9364 |
| 4517-0000 | Lock Nut | C18 |
| 4518-0000 | Packing Ring | C20 |
| 4530-200 | Pump | AL1/4-200 |
| 4530-237 | Pump | AL1/4-237 |
| 4533-0000 | Packing Nut | AL18 |
| 4534-0000 | Body | AL4-200 |
| 4536-0000 | Packing Nut | AL16 |
| 4537-0000 | Shaft | AL10 |
| 4538-0000 | Cam | AL8 |
| 4538-0010 | Cam | AL8-01 |
| 4539-0000 | Packing Ring | AL22 |
| 4546 | Packing Nut | B16 |
| 4546-0000 | Packing Nut | B16 |
| 4547-01 | Shaft | D10-01 |
| 4548 | Lock Nut | B18 |
| 4548-0000 | Lock Nut | B18 |
| 4549 | Packing Ring | B22 |
| 4549-0000 | Packing Ring | B22 |
| 4567-01 | Shaft | C10-01 |
| 4583-0000 | Packing Nut | C16 |
| 4590-200 | Pump | JD3/4-200 |
| 4590-237 | Pump | JD3/4-237 |
| 4594-200 | Body | JD4-200 |
| 4595-200 | End Cover | D6-01-200 |
| 4800-111 | Pump | 11790 |
| 4800-21 | Pump | 4800-21-01 |

| Obsolete Jabsco Part No | Description | Current Jabsco art No. |
|-------------------------|---------------|------------------------|
| 4850 | Pump | 9750 |
| 4860 | Pump | 9760 |
| 5212 | Gasket | 3298 |
| 5400-205 | Pump | 52200-2051 |
| 5522 | End Cover | AL6-200 |
| 6400-200 | Pump | 52200-2001 |
| 6400-205 | Pump | 52200-2051 |
| 6400-207 | Pump | 52200-2011 |
| 6400-207 | Pump | 52200-2001 |
| 6406 | Seal Seat | 10163 |
| 6408 | Seal Assembly | 21849 |
| 6420-0101 | Pump | 52220-0011 |
| 6420-200 | Pump | 52080-2001 |
| 6420-2001 | Pump | 52080-2001 |
| 6420-2003 | Pump | 52080-2003 |
| 6420-204 | Pump | 52080-2041 |
| 6420-2041 | Pump | 52080-2041 |
| 6420-205 | Pump | 52080-2051 |
| 6420-2051 | Pump | 52080-2051 |
| 6520-200 | Pump | 51080-2001 |
| 6520-2001 | Pump | 51080-2001 |
| 6520-2003 | Pump | 51080-2003 |
| 6520-237 | Pump | 51080-2001 |
| 6520-251 | Pump | 51080-2001 |
| 6590-200 | Pump | 51200-2011 |
| 6590-237 | Pump | 51200-2003 |
| 6640-200 | Pump | 52010-2001 |
| 6640-205 | Pump | 52010-2001 |
| 6718 | Shaft | 6718-21 |
| 7420-0004 | Pump | 7420-0101 |
| 7447 | Spacer | 3166 |
| 8123 | Wearplate | 4357 |
| 9416 | Wearplate | 4156 |
| 9420 | Cam | 934 |
| 9430-01 | Pump | 11650-200 |
| 9430-211 | Pump | 29300-2601C |
| 9436-211 | Shaft | 22286 |
| 9700-101 | Pump | 9700-04 |
| 9700-141 | Pump | 9700-04 |
| 9700-21 | Pump | 29600-1001 |
| 9710 | Pump | 9710-200 |
| 9900 | Pump | 29470-2231C |
| 9970-251 | Pump | 9970-241 |
| 9970-271 | Pump | 9970-200 |
| 9990-21 | Pump | 9990-41 |
| 9996 | Wearplate | 7883 |
| 10118 | Seal Assembly | 1817-0000 |
| 10135 | Bearing | 3625-1150 |
| 10187-01 | Shaft | 21679-0010 |
| 10420 | Pump | 29490-2001C |
| 10490 | Pump | 52270-0011 |
| 10490-0201 | Pump | 50270-0911 |
| 10490-07 | Pump | 52270-0011 |
| 10490-207 | Pump | 52270-0011 |

Obsolete to Current Jabsco Parts Table

| Obsolete Jabsco Part No | Description | Current Jabsco art No. |
|-------------------------|-------------|------------------------|
| 10497 | Shaft | 11258 |
| 10497-01 | Shaft | 11258-01 |
| 10590 | Pump | 10590-22 |
| 10590-01 | Pump | 11101-01-01 |
| 10590-0141 | Pump | 10590-0041 |
| 10590-21 | Pump | 10590-22 |
| 10590-61 | Pump | 10590-62 |
| 10630 | Pump | 52220-0011 |
| 10630-01 | Pump | 52220-0011 |
| 10630-07 | Pump | 52220-0011 |
| 10630-200 | Pump | 52220-0011 |
| 10630-207 | Pump | 52220-0011 |
| 10630-57 | Pump | 52220-0011 |
| 10650 | Pump | 51220-0011 |
| 10650 | Pump | 51220-0011 |
| 10650-0003 | Pump | 51220-0011 |
| 10650-200 | Pump | 51200-2011 |
| 10657-0040 | Shaft | 10657-0020 |
| 10657-0050 | Shaft | 10657-0030 |
| 10660 | Pump | 51270-0011 |
| 10660-0003 | Pump | 51270-0011 |
| 10660-200 | Pump | 51270-2011 |
| 10670 | Pump | 50220-0011 |
| 10670-0003 | Pump | 50220-0011 |
| 10670-01 | Pump | 50220-0111 |
| 10670-0103 | Pump | 50220-0111 |
| 10670-0203 | Pump | 50220-0211 |
| 10670-0303 | Pump | 50220-0311 |
| 10670-10 | Pump | 50220-0211 |
| 10670-11 | Pump | 50220-0311 |
| 10670-200 | Pump | 50200-2011 |
| 10670-201 | Pump | 50200-2111 |
| 10670-210 | Pump | 50200-2211 |
| 10670-211 | Pump | 50200-2311 |
| 10677-0040 | Shaft | 10677-0020 |
| 10677-0050 | Shaft | 10677-0030 |
| 10680 | Pump | 50270-0011 |
| 10680 | Pump | 50270-0011 |
| 10680-0003 | Pump | 50270-0011 |
| 10680-01 | Pump | 50270-0111 |
| 10680-0103 | Pump | 50270-0111 |
| 10680-0203 | Pump | 50270-0211 |
| 10680-0303 | Pump | 50270-0311 |
| 10680-10 | Pump | 50270-0211 |
| 10680-11 | Pump | 50270-0311 |
| 10680-200 | Pump | 50270-2011 |
| 10680-201 | Pump | 50270-2111 |
| 10680-210 | Pump | 50270-2211 |
| 10680-211 | Pump | 50270-2311 |
| 10880 | Pump | 10880-07 |
| 10880-2461 | Pump | 10880-2561 |
| 10950-200 | Pump | 10950-2401 |
| 10950-201 | Pump | 10950-2401 |
| 10950-204 | Pump | 10950-2401 |

| Obsolete Jabsco Part No | Description | Current Jabsco art No. |
|-------------------------|-----------------|------------------------|
| 10950-205 | Pump | 10950-2401 |
| 10950-2101 | Pump | 10950-2401 |
| 10950-2141 | Pump | 10950-2401 |
| 10950-2201 | Pump | 10950-2601 |
| 10950-2241 | Pump | 10950-2601 |
| 10950-2441 | Pump | 10950-2601 |
| 10950-2451 | Pump | 10950-2601 |
| 10950-2701 | Pump | 10950-2401 |
| 10980-01 | Pump | 10980-0051 |
| 11253 | Shaft | 11254 |
| 11253-01 | Shaft | 11254-01 |
| 11256 | Shaft | 11258 |
| 11256-01 | Shaft | 11258-01 |
| 11260-200 | Pump | 29300-2101C |
| 11260-205 | Pump | 29300-2151C |
| 11260-2101 | Pump | 29300-2201C |
| 11260-2151 | Pump | 29300-2151C |
| 11417 | Gasket | 890 |
| 11493-01 | Shaft | 11494-01 |
| 11613 | Lip Seal | SP2701-0940 |
| 11620-200 | Pump | 22830-2101 |
| 11788 | Shaft | 11749-0000 |
| 11796-0020 | Shaft | 11796-0010 |
| 11850-0101 | Pump | 11850-0701 |
| 21090-200 | Pump | 21090-204 |
| 21130-200 | Pump | 21130-2101 |
| 21140-200 | Pump | 21140-2401 |
| 21140-201 | Pump | 21140-2401 |
| 21140-204 | Pump | 21140-2401 |
| 21140-2101 | Pump | 21140-2601 |
| 21140-2141 | Pump | 21140-2601 |
| 21140-2201 | Pump | 21140-2601 |
| 21140-2241 | Pump | 21140-2601 |
| 21374 | Shaft | 9527 |
| 21677 | Shaft | 21679-0000 |
| 21677-01 | Shaft | 21679-0010 |
| 21820-200 | Pump | 52040-2001 |
| 21820-2001 | Pump | 52040-2001 |
| 21820-2003 | Pump | 52040-2003 |
| 21820-2021 | Pump | 52040-2021 |
| 21890 | Pump | 10880-2611 |
| 21944 | Seal Assembly | 22644-6000 |
| 21960-200 | Pump | 50080-2001 |
| 21960-2003 | Pump | 50080-2003 |
| 21960-210 | Pump | 50080-2101 |
| 21960-2103 | Pump | 50080-2103 |
| 21960-211 | Pump | 50080-2201 |
| 21960-2203 | Pump | 50080-2203 |
| 21960-221 | Pump | 50080-2301 |
| 21960-2303 | Pump | 50080-2303 |
| 22040-0131 | Pump | 22040-0501 |
| 22287 | Shaft | 22286 |
| 22304-0020 | Body | 22304-02 |
| 22307 | Bearing Housing | 22317 |



Obsolete to Current Jabsco Parts Table

USA to UK Jabsco Parts Table

Service Parts

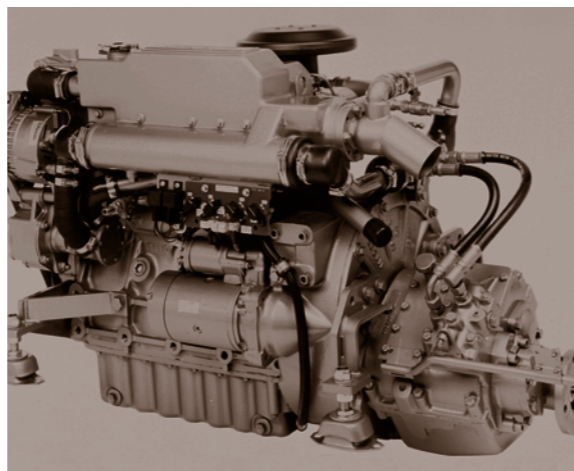
| Obsolete Jabsco Part No | Description | Current Jabsco art No. |
|-------------------------|-----------------|------------------------|
| 22314 | Bearing Housing | 22317 |
| 22617-0000 | Seal Assembly | 22617-0010 |
| 22620 | Pump | 29440-1101 |
| 22740-0251 | Pump | 22740-0151 |
| 22740-0301 | Pump | 22740-0201 |
| 22750-05 | Pump | 22750-1101 |
| 22754 | Bearing Housing | 22317-0010 |
| 22770 | Pump | 29440-1001 |
| 22770-1051 | Pump | 29440-1051 |
| 22770-1101 | Pump | 29440-1101 |
| 22770-1201 | Pump | 29440-1201 |
| 22940-2001 | Pump | 52010-2001 |
| 22950-2031 | Pump | 52020-2001 |
| 22950-2037 | Pump | 52020-2001 |
| 23328-0000 | Pump | 23328-9000 |
| 23387-0000 | Pump | 23387-0020 |
| 23800-0251 | Pump | 23800-0201 |
| 23800-0351 | Pump | 23800-0401 |
| 29470-0231 | Pump | 29470-1231 |
| 29470-0231C | Pump | 29470-1231C |
| 29850-0031 | Pump | 29880-0001 |
| 52200-2001 | Pump | 52200-2011 |
| AL24 | Impeller | 4528-0001B |
| AL24-37 | Impeller | 4528-0003B |
| B12-37 | Impeller | 4527-0003B |
| B3/8 -200 | Pump | 6540-200 |
| C10 | Shaft | C10-01 |
| C12 | Impeller | 4568-0001B |
| C12-37 | Impeller | 4568-0003B |
| D10 | Shaft | D10-01 |
| D12 | Impeller | 4598-0001B |
| D12-37 | Impeller | 4598-0003B |
| SP1002-07 | Screw | SP1002-02 |
| SP1003-0090 | Screw | SP1003-09 |
| SP1004-0090 | Screw | SP1004-09 |
| SP1009-08 | Screw | SP1009-05 |
| SP1023-0050 | Screw | 91023-0050 |
| SP1095-0090 | Bolt | SP1095-09 |

| Obsolete Jabsco Part No | Description | Current Jabsco art No. |
|-------------------------|----------------|------------------------|
| SP1105-0030 | Nut | SP1105-03 |
| SP1401-0100 | Key | SP1401-10 |
| SP1402-12 | Key | 9214 |
| SP1602-0060 | Washer | SP1602-06 |
| SP1700-2470 | Retaining Ring | SP1700-247 |
| SP2600-02 | Bearing | SP2600-11 |
| SP2600-0420 | Bearing | SP2601-42 |
| SP2601-18 | Bearing | SP2600-18 |
| SP2700-0480 | Lip Seal | SP2700-48 |
| SP2700-06 | Lip Seal | SP2701-21 |
| SP2700-0910 | Lip Seal | SP2700-91 |
| SP2700-11 | Lip Seal | SP2701-14 |
| SP2700-14 | Lip Seal | SP2701-04 |
| SP2700-18 | Lip Seal | SP2701-21 |
| SP2700-28 | Lip Seal | SP2700-51 |
| SP2700-66 | Seal | 92700-0660 |
| SP2700-90 | Lip Seal | SP2700-05 |
| SP2701-07 | Lip Seal | SP2700-51 |
| SP2701-18 | Lip Seal | SP2701-54 |
| SP2701-48 | Lip Seal | SP2700-48 |
| SP2701-49 | Lip Seal | SP2700-49 |
| SP2702-80 | Lip Seal | SP2701-52 |
| SP2703-02 | Lip Seal | SP2701-21 |
| SP2703-07 | Lip Seal | SP2700-49 |
| SP2705-05 | Lip Seal | SP2700-05 |
| SP2901-18 | Lip Seal | SP2701-54 |
| SP6080-0070 | Seal Assembly | 22617-0010 |
| SP6080-03 | Seal Assembly | SP6080-10 |
| SP6080-0372 | Seal Assembly | 21849 |
| SP6080-0373 | Seal Assembly | 22626-0000 |
| SP6080-07 | Seal Assembly | 22617-0010 |
| SP6080-07B | Seal Assembly | 22617-0010 |
| SP6080-11 | Seal Assembly | 22642-0000 |
| SP6080-24 | Seal Assembly | 22643-0000 |
| SP8022-0070 | Seal Assembly | 22617-0010 |
| SP8022-07 | Seal Assembly | 22617-0010 |
| SP8033-0161 | Seal Assembly | 22644-6000 |

| Jabsco USA Part No. | Description | Jabsco UK Part No. |
|---------------------|---------------|--------------------|
| 490-0000 | Cam | 490 |
| 490-0001 | Cam | 490 |
| 816-0000 | Gasket | 816 |
| 817-0000 | Lip Seal | SP2700-50 |
| 817-6000 | Lip Seal | SP2700-50 |
| 818-0000 | Lip Seal | SP2700-49 |
| 824-0000 | Shaft | 9527 |
| 834-0000 | Cam | 834 |
| 834-0001 | Cam | 834 |
| 836-0001 | Impeller | 836-0001B |
| 836-0008 | Impeller | 836-0008B |
| 890-0000 | Gasket | 890 |
| 913-0000 | Seal | SP2700-47 |
| 914-0000 | Seal | SP2700-48 |
| 915-0000 | Seal | SP2700-07 |
| 920-0001 | Impeller | 920-0001B OR |
| 920-0001 | Impeller | 17937-0001B |
| 920-0008 | Impeller | 920-0008B |
| 934-0000 | Cam | 934 |
| 934-0010 | Cam | 934 |
| 1040-0000 | Lip Seal | SP2701-52 |
| 1126-0000 | Gasket | 1126 |
| 1189-0000 | Gasket | 1189 |
| 1210-3001 | Impeller | 1210-0001B |
| 2431-0000 | Cam | 2431 |
| 2551-0000 | Cam | 2551 |
| 2566-0020 | Adaptor | 2566 |
| 2567-0000 | Shaft | 21238 |
| 2574-0000 | Wearplate | 2574 |
| 2577-0000 | Seal Assembly | 21849 |
| 2765-0000 | Wearplate | 2765 |
| 2995-0030 | Gasket | 2995-0000 |
| 3101-0000 | Gasket | 3101 |
| 3166-0000 | Spacer | 3166 |
| 3180-0000 | Slinger | 3180 |
| 3181-0000 | Slinger | 3181 |
| 3222-0000 | Seal | 3222 |
| 3255-0000 | Cam | 3255 |
| 3298-0000 | Gasket | 3298 |
| 3791-0000 | Packing Ring | 3791 |
| 4156-0000 | Wearplate | 4156 |
| 4156-3000 | Wearplate | 4156 |
| 4271-0000 | Cam/Wearplate | 4271 |
| 4346-0000 | Spline Seal | 4346 |
| 5211-0000 | Cam/Wearplate | 5211 |
| 6408-0000 | Seal Assembly | 21849 |
| 6718-0000 | Shaft | 6718-21 |
| 6760-3008 | Impeller | 6760-0008B |
| 6987-0000 | Shaft | 21239 |
| 6988-0000 | Cam | 6988 |
| 6988-3000 | Cam | 6988 |
| 7876-0000 | Cam | 7876 |
| 7883-0000 | Wearplate | 7883 |
| 7884-0000 | Cam/Wearplate | 7884 |

| Jabsco USA Part No | Description | Jabsco UK art No. |
|--------------------|----------------|-------------------|
| 10818-0000 | Cam | 10818 |
| 11816-0000 | Gasket | 3298 |
| 11830-0000 | End Cover | 3992 |
| 11831-0000 | End Cover | 3993 |
| 11835-0000 | End Cover | AL6-200 |
| 12062-0000 | End Cover | 9336 |
| 12066-0000 | End Cover | 9566 |
| 17361-6000 | | 17361-1000 |
| 17365-0000 | Gasket | 17365-1000 |
| 17370-0211 | Impeller | 17370-0001B |
| 17370-3001 | Impeller | 17370-0001B |
| 17372-3000 | Wearplate | 17372-1000 |
| 17372-6000 | Wearplate | 17372-1000 |
| 17374-3000 | Cam Liner | 17374-1000 |
| 17374-6001 | Cam Liner | 17374-1000 |
| 17378-3000 | End Cover | 17378-1000 |
| 17935-3001 | Impeller | 17935-0001B |
| 17936-3001 | Impeller | 17936-0001B |
| 18706-0000 | Retaining Ring | SP1700-1180 |
| 18711-0000 | Retaining Ring | SP1700-245 |
| 18712-0000 | Retaining Ring | SP1700-246 |
| 18713-0000 | Retaining Ring | SP1700-247 |
| 18724-0000 | Retaining Ring | SP1701-185 |
| 18752-0000 | Bearing | 92600-0480 |
| 18753-0049 | Seal | 22617-0010 |
| 18753-0090 | Cam | 22318 |
| 18753-0139 | Seal | SP6080-0371 |
| 18753-0325 | Shaft Assembly | 23807-0000 |
| 18784-3000 | End Cover | 18784-0000 |
| 18785-3000 | Cam Liner Kit | 18785-0000 |
| 18786-3001 | Impeller | 18786-0001 |
| 18787-3000 | Wear Plate | 18787-0000 |
| 19769-6000 | Spline Seal | 17969-0000 |
| 22308-0000 | Cam | 22308 |
| 22318-0000 | Cam | 22318 |
| 90065-0001 | Service Kit | SK65-0001 |
| 90118-3001 | Service Kit | SK118 |
| 90193-3000 | Service Kit | SK193 |
| 91002-0010 | Screw | SP1002-01 |
| 91002-0010 | Screw | SP1002-01 |
| 91002-0020 | Screw | SP1002-02 |
| 91002-0030 | Screw | SP1002-03 |
| 91002-0090 | Screw | SP1002-09 |
| 91003-0010 | Screw | SP1003-01 |
| 91003-0010 | Screw | SP1003-01 |
| 91003-0020 | Screw | SP1003-02 |
| 91003-0070 | Screw | SP1003-07 |
| 91003-0070 | Screw | SP1003-07 |
| 91003-0090 | Screw | SP1003-09 |
| 91003-0110 | Screw | SP1003-11 |
| 91004-0010 | Screw | SP1004-01 |
| 91004-0090 | Screw | SP1004-09 |
| 91004-3090 | Screw | SP1004-09 |
| 91005-0040 | Screw | SP1005-04 |

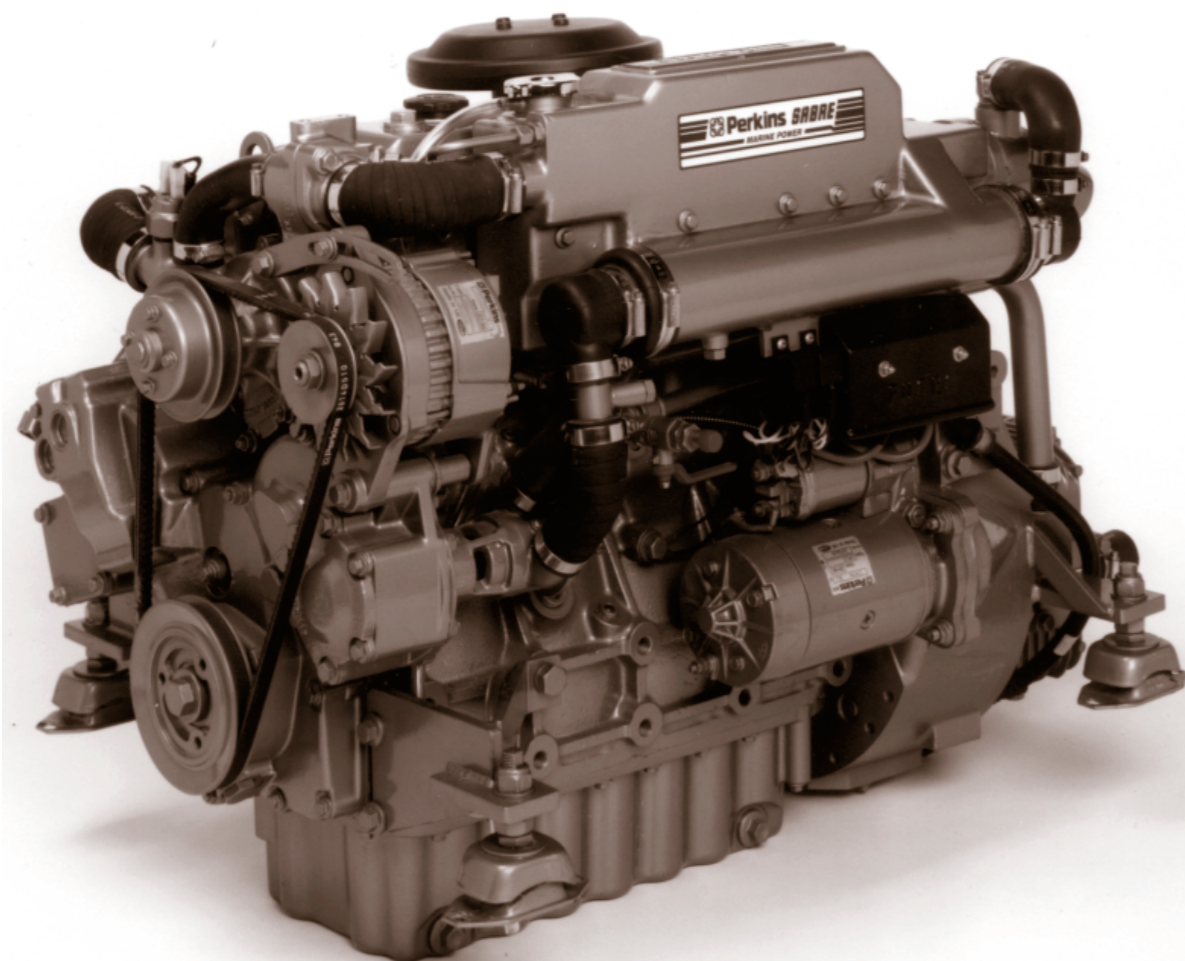
Service Parts



USA to UK Jabsco Parts Table

| Jabsco USA Part No. | Description | Jabsco UK Part No. |
|---------------------|----------------|--------------------|
| 91005-0050 | Screw | SP1005-05 |
| 91005-6040 | Screw | SP1005-04 |
| 91006-0050 | Screw | SP1006-05 |
| 91085-0100 | Nut | SP1085-10 |
| 91106-0040 | Screw | SP1106-04 |
| 91402-0050 | Woodruff Key | SP1402-05 |
| 91402-0220 | Woodruff Key | SP1402-22 |
| 91602-0090 | Washer | SP1602-09 |
| 91608-0010 | Washer | SP1608-01 |
| 91700-2460 | Retaining Ring | SP1700-246 |
| 91700-2830 | Retaining Ring | SP1700-283 |
| 92000-0120 | O-Ring | SP2000-12 |
| 92000-3210 | O-Ring | SP2000-21 |
| 92600-0040 | Bearing | SP2600-04 |
| 92600-0060 | Bearing | SP2600-06 |
| 92600-0070 | Bearing | SP2600-07 |
| 92600-0080 | Bearing | SP2600-08 |
| 92600-0120 | Bearing | SP2600-12 |
| 92600-0130 | Bearing | SP2600-13 |
| 92600-0150 | Bearing | SP2600-15 |
| 92600-0160 | Bearing | SP2600-16 |

| Jabsco USA Part No. | Description | Jabsco UK art No. |
|---------------------|---------------|-------------------|
| 92600-0260 | Bearing | SP2600-26 |
| 92600-0530 | Bearing | SP2601-0468 |
| 92600-3060 | Bearing | SP2600-06 |
| 92600-6320 | Bearing | SP2600-32 |
| 92700-0042 | Lip Seal | SP2700-42 |
| 92700-0050 | Lip Seal | SP2700-05 |
| 92700-0060 | Lip Seal | SP2700-06 |
| 92700-0080 | Lip Seal | SP2700-08 |
| 92700-0110 | Lip Seal | SP2700-11 |
| 92700-0150 | Lip Seal | SP2700-15 |
| 92700-0180 | Lip Seal | SP2701-21 |
| 92700-6060 | Lip Seal | SP2700-06 |
| 92700-6070 | Lip Seal | SP2700-07 |
| 92701-0040 | Lip Seal | SP2701-04 |
| 92701-0180 | Lip Seal | SP2701-54 |
| 93000-0100 | Seal | SP3000-10 |
| 96080-0080 | Seal Assembly | SP6080-08B |
| 96080-0371 | Seal Assembly | SP6080-0371 |
| 96080-6371 | Seal Assembly | SP6080-0371 |
| 99019-0001 | Service Kit | MSK19-0001 |
| 99065-0001 | Service Kit | MSK65-00001 |



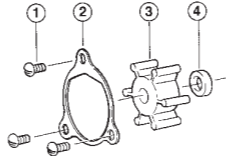
Johnson Jabsco Parts Table

| Johnson Part No. | Description | Jabsco Part No. |
|------------------|----------------|-----------------|
| 01-11206 | Body | 10634 |
| 01-31902 | Body | 9904 |
| 01-31927-2 | Body | 10554-200 |
| 01-42388 | End Cover | 9905 |
| 01-42389 | Cam | 10818 |
| 01-42390 | Shaft | 9907 |
| 01-42391 | Gasket | 10817 |
| 01-42397 | Cam | 490 |
| 01-42398 | End Cover | 3992 |
| 01-42399 | Wearplate | 7883 |
| 01-42399 | Wearplate | 7883 |
| 01-42401 | Gasket | 3298 |
| 01-42402 | Retaining Ring | SP1700-62 |
| 01-42412 | Gasket | 1126 |
| 01-42414 | End Cover | AL6-200 |
| 01-42415 | Cam | 29303-0000 |
| 01-42415 | Cam | AL8-01 |
| 01-42422 | End Cover | 9336 |
| 01-42422-1 | End Cover | 9336 |
| 01-42423 | Wearplate | 2574 |
| 01-42424 | Gasket | 816 |
| 01-42425 | Cam | 2551 |
| 01-42427-15 | Slinger | 3181 |
| 01-42441 | End Cover | 3993 |
| 01-42442 | Cam | 3255 |
| 01-42443 | Wearplate | 4156 |
| 01-42445 | Gasket | 890 |
| 01-42584 | Cam | 2431 |
| 01-42679 | Cam | 934 |
| 01-42679 | Wearplate | 4156 |
| 01-42680 | Cam | 834 |
| 01-42755 | Cam | 2551 |
| 01-42910 | Cam | 29303-0000 |
| 01-42910 | Cam | AL8 |
| 01-42926 | End Cover | 3992 |
| 01-43135 | Cam | 22039 |
| 01-43136 | End Cover | 9336 |
| 01-43137 | Cam | 6988 |
| 01-43138 | Cam | 22268 |
| 01-43239 | End Cover | 29305-0000 |
| 01-45014 | Cam | 10538 |
| 01-45014 | Cam | 10336 |
| 01-45025 | Shaft | 3277 |
| 01-45084 | Cam | 2441 |
| 01-45087 | Wearplate | 29306-0000 |
| 01-45282 | End Cover | 29475-0000 |
| 01-45288 | Cam | 2907-0001 |
| 09-43112 | Port Kit | K1-200 |
| 09-45033 | Vacuum Switch | 4732-0000 |
| 10-13021-1 | Pump | 52200-2011 |
| 10-24074-1 | Pump | 52020-2001 |
| 10-24076-1 | Pump | 22740-0151 |
| 10-24090-1 | Pump | 11100-01-01 |
| 10-24091-1 | Pump | 10880-0101 |

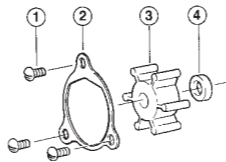
| Johnson Part No. | Description | Jabsco art No. |
|------------------|-------------|----------------|
| 10-24096-1 | Pump | 11100-01-01 |
| 10-24096-2 | Pump | 11100-0141 |
| 10-24096-3 | Pump | 11100-0151 |
| 10-24116-1 | Pump | 50080-2001 |
| 10-24116-2 | Pump | 50080-2101 |
| 10-24116-3 | Pump | 50080-2201 |
| 10-24116-4 | Pump | 50080-2301 |
| 10-24119 | Pump | 3270-1951 |
| 10-24119 | Pump | 3270-271 |
| 10-24119-2 | Pump | 3270-200 |
| 10-24119-3 | Pump | 3270-200 |
| 10-24119-4 | Pump | 3270-261 |
| 10-24119-6 | Pump | 3270-241 |
| 10-24119-7 | Pump | 3270-2401 |
| 10-24119-8 | Pump | 3270-2101 |
| 10-24126-1 | Pump | 23430-1051 |
| 10-24127 | Pump | 23460-1601 |
| 10-24127-1 | Pump | 23430-1001 |
| 10-24127-2 | Pump | 23430-1051 |
| 10-24127-3 | Pump | 23430-1051 |
| 10-24139 | Pump | 21140-2401 |
| 10-24139 | Pump | 21140-2601 |
| 10-24139-1 | Pump | 21140-2401 |
| 10-24139-2 | Pump | 21140-2441 |
| 10-24139-3 | Pump | 21140-2601 |
| 10-24139-4 | Pump | 21140-2641 |
| 10-24140 | Pump | 10950-2401 |
| 10-24140-1 | Pump | 10950-2401 |
| 10-24140-2 | Pump | 10950-2451 |
| 10-24140-3 | Pump | 10950-2601 |
| 10-24214-4 | Pump | 29440-1001 |
| 10-24215-1 | Pump | 10970 |
| 10-24218-1 | Pump | 23430-1441 |
| 10-24239-1 | Pump | 22040-0501 |
| 10-24244-1 | Pump | 23430-1201 |
| 10-24244-2 | Pump | 23430-1201 |
| 10-24290-1 | Pump | 29440-1101 |
| 10-31197-1 | Pump | 29470-2231C |
| 10-32280-1 | Pump | 11260-1101 |
| 10-32412-1 | Pump | 29300-2101C |
| 10-32588-1 | Pump | NONE |
| 10-35038-1 | Pump | 52010-2001 |
| 10-35058-1 | Pump | 11000-01 |
| 10-35064-1 | Pump | 29300-2101C |
| 10-35088-1 | Pump | 29300-2201C |
| 10-13022-1 | Pump | 50200-2011 |
| 10-13022-2 | Pump | 50200-2111 |
| 10-13022-3 | Pump | 50200-2201 |
| 10-13022-33 | Pump | 50200-2011 |
| 10-13022-34 | Pump | 50200-2111 |
| 10-13022-35 | Pump | 50200-2201 |
| 10-13022-36 | Pump | 50200-2301 |
| 10-13022-4 | Pump | 50200-2301 |
| 10-13024-1 | Pump | 52220-0011 |

AC Flexible Impeller Pumps, AC & DC Macerator & Centrifugal Pumps

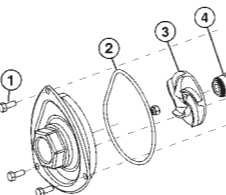
| AC Flexible Impeller Pumps | | | | | | |
|----------------------------|-----------------|---------------------|-----------------|------------|--------------|--------|
| Pump Model No. | Service Kit No. | End Cover Screw - 1 | Gasket/O Ring 2 | Impeller 3 | Seal 4 | Origin |
| 6050-0001 | 90058-0003 | 91004-0090 | 890-0000 | 6056-0001 | 92700-0080 | US |
| 6050-0003 | 90058-0003 | 91004-0090 | 890-0000 | 6056-0003 | 92700-0080 | US |
| 6050-0253 | 90058-0003 | 91004-0090 | 890-0000 | 6056-0003 | 92700-0080 | US |
| 6050-0713 | 90058-0003 | 91004-0090 | 890-0000 | 6056-0003 | 92700-0080 | US |
| 11810-0001 | 90105-0001 | 91003-0010 | 3298-0000 | 5929-0001 | 92700-0420 | US |
| 11810-0003 | 90105-0001 | 91003-0010 | 3298-0000 | 5929-0003 | 92700-0420 | US |
| 12210-0001 | 90092-0007 | 91002-0010 | 7828-0000 | 1414-0001 | 93000-0100 | US |
| 12210-0003 | 90092-0004 | 91002-0010 | 7828-0000 | 1414-0003 | 93000-0100 | US |
| 12310-0001 | 90158-0011 | 91023-0050* | 92000-0750 | 14792-0001 | 1040-0000 | US |
| 12310-0003 | 90158-0011 | 91023-0050* | 92000-0750 | 14792-0003 | 1040-0000 | US |
| 12510-0001 | 90106-0001 | 91002-0090* | 9156-0000 | 9200-0001 | 1040-0000 | US |
| 12510-0003 | 90106-0003 | 91004-0090* | 9156-0000 | 9200-0003 | 1040-0000 | US |
| 12520-0001 | 90061-0002 | 91002-0010 | 1985-0011 | 7273-0001 | 93000-0100 | US |
| 12520-0003 | 90061-0023 | 91002-0010 | 1985-0011 | 7273-0003 | 93000-0101 | US |
| 12520-1001 | 90061-0002 | 91002-0010 | 18753-0104 | 7273-0001 | 93000-0102 | US |
| 12520-1003 | 90061-0023 | 91002-0010 | 18753-0104 | 7273-0003 | 93000-0103 | US |
| 17600-0001 | N/A | N/A | 17638-0000 | 17486-0001 | 1040-0000 | US |
| 18610-0001 | 90061-0032 | 91002-0090* | 18753-0660 | 7273-0001 | 18753-0384 | US |
| 18610-0003 | 90061-0032 | 91004-0090* | 18753-0660 | 7273-0003 | 18753-0384 | US |
| 53020-2011 | SK416-0001 | X4001-147F | X4020-257A | 7273-0001 | SP8021-0301B | UK |
| 53020-2013 | SK416-0003 | X4001-147F | X4020-257A | 7273-0003 | SP8021-0301B | UK |
| 53040-2003 | SK409-0003 | X4001-147F | X4020-259A | 14281-0003 | 22626-0000 | UK |
| 53040-2021 | SK409-0021 | X4001-147F | X4020-259A | 8980-0001 | 22626-0000 | UK |
| 53040-2103 | SK409-0003 | X4001-147F | X4020-259A | 14281-0003 | 22626-0000 | UK |
| 53080-2001 | SK411-0001 | X3001-176F | X4020-269A | 14282-0001 | 22626-0000 | UK |
| 53080-2003 | SK411-0003 | X3001-176F | X4020-269A | 14282-0003 | 22626-0000 | UK |



*Not in Service Kit.



| AC and DC Macerator Pumps | | | | | | |
|---------------------------|-----------------|---------------------|-----------------|------------|-----------|--------|
| Pump Model No. | Service Kit No. | End Cover Screw - 1 | Gasket/O Ring 2 | Impeller 3 | Seal 4 | Origin |
| 18590- Series | 18598-1000 | N/A | 18596-1000 | 6303-0003 | 1040-0000 | US |
| 18690-0000 | 18598-1000 | N/A | 18596-1000 | 6303-0003 | 1040-0000 | US |
| 18690-0010 | 18598-1000 | N/A | 18596-1000 | 6303-0003 | 1040-0000 | US |
| 21950- Series | SK368-0003 | N/A | 18596-0000 | 6303-0003 | 1040-0000 | UK |
| 22130- Series | N/A | N/A | 18596-0000 | 7273-0003 | SP2701-52 | UK |
| 23570- Series | N/A | N/A | 18596-0000 | 7273-0003 | SP2701-52 | UK |

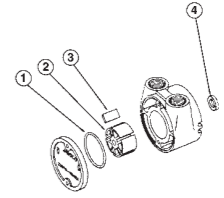


| AC and DC Centrifugal Pumps | | | | | |
|-----------------------------|---------------------|-----------------|------------|-------------|--------|
| Pump Model No. | End Cover Screw - 1 | Gasket/O Ring 2 | Impeller 3 | Seal 4 | Origin |
| 18510-0000 | 91003-0230 | 18516-0000 | 18515-0000 | 1040-0000 | US |
| 18510-0001 | 91003 230 | 18516-0000 | 18515-0000 | 1040-0000 | US |
| 18510-0002 | 91003-0230 | 18516-0000 | 18515-0000 | 1040-0000 | US |
| 18510-0010 | 91003-0230 | 18516-0000 | 18526-0000 | 96080-0552 | US |
| 18510-0020 | 91003-0230 | 18516-0000 | 18526-0000 | 96080-0552 | US |
| 18510-0021 | 91003-0231 | 18516-0000 | 18526-0000 | 96080-0552 | US |
| 18510-2000 | SP1003-0230 | 18516-0000 | 18515-0000 | SP2701-52 | UK |
| 18510-2100 | SP1003-0230 | 18516-0000 | 18515-0000 | SP2701-52 | UK |
| 18510-9200 | SP1003-0230 | 18516-0000 | 18526-0000 | SP6080-0552 | UK |
| 18510-9300 | SP1003-0230 | 18516-0000 | 18526-0000 | SP6080-0552 | UK |
| 18580-0000 | 91003-0230 | 18516-0000 | 18515-0000 | 1040-0000 | US |
| 50045-2100 | SP1003-0230 | 18516-0000 | 18526-0000 | SP6080-0552 | UK |
| 50830-0012 | 91095-6325 | X4020-384A | 50831-0000 | 96080-6564 | UK |
| 50830-0024 | 91095-6325 | X4020-384A | 50831-0000 | 96080-6564 | UK |
| 50830-2012 | 91095-6325 | X4020-384A | 50831-0000 | 96080-6564 | UK |
| 50830-2024 | 91095-6325 | X4020-384A | 50831-0000 | 96080-6564 | UK |
| 50870-0012 | 91095-6325 | X4020-369A | 50871-0000 | 96080-6564 | UK |
| 50870-0024 | 91095-6325 | X4020-369A | 50871-0000 | 96080-6564 | UK |
| 50870-2012 | 91095-6325 | X4020-369A | 50871-0000 | 96080-6564 | UK |
| 50870-2024 | 91095-6325 | X4020-369A | 50871-0000 | 96080-6564 | UK |

Sliding Vane Pumps



| Sliding Vane Pumps | | | | | | |
|--------------------|-----------------|---------------------------|------------|-------------|-------------|--------|
| Pump Model No. | Service Kit No. | O Ring 1 | Rotor 2 | Vanes 3 | Seal 4 | Origin |
| 18680-0920 | 90200-0001 | 18753-0660 | 18753-0073 | 18753-0072 | 18753-0384 | US |
| 18680-0940 | 90200-0001 | 18753-0660 | 18753-0073 | 18753-0072 | 18753-0384 | US |
| 18680-1000 | 90200-0001 | 18753-0660 | 18753-0073 | 18753-0072 | 18753-0384 | US |
| 18685-0000 | 90200-0001 | 18753-0660 | 18753-0073 | 18753-0072 | 18753-0384 | US |
| 45710-0000 | 90200-0000 | 18753-0071 | 18753-0073 | 18753-0072 | 1040-0000 | US |
| 45710-0020 | 90200-0000 | 18753-0071 | 18753-0073 | 18753-0072 | 1040-0000 | US |
| 45710-1000 | 90200-0000 | 18753-0071 | 18753-0073 | 18753-0072 | 1040-0000 | US |
| 45710-1020 | 90200-0000 | 18753-0071 | 18753-0073 | 18753-0072 | 1040-0000 | US |
| 45710-2010 | 90200-0000 | 18753-0071 | 18753-0073 | 18753-0072 | 1040-0000 | US |
| 45740-0000 | 90200-0000 | 18753-0071 | 18753-0073 | 18753-0072 | 1040-0000 | US |
| 23530-Series | SK399-0101 | X1990-131 | 45714-0000 | 45716-0000B | SP2701-52 | UK |
| 23540-Series | SK388-0000 | X4020-264A | 23542-0000 | 23183-0010 | SP2701-0504 | UK |
| 23550-Series | SK397-0000 | X4020-269A | 23552-0000 | 23553-0010 | SP6080-0408 | UK |
| 23590-Series | SK399-0201 | X1990-131 | 23591-0000 | 45716-0000B | SP2701-52 | UK |
| 23870-Series | SK399-0101 | X1990-131 | 45714-0000 | 45716-0000 | SP2701-52 | UK |
| 45710-Series | 90200-0000 | 18753-0071 | 45714-0000 | 18753-0072 | 1040-0000 | US |
| 50130/40-Series | SK414-0000 | By-Pass Valve Service Kit | | | | UK |
| | SK413-0000 | X4020-247A | 45714-0000 | 45716-0000B | SP2701-52 | UK |
| VR050-Series* | SK421-0000 | X4020-264A | 50242-0000 | 50243-0000 | SP2701-0504 | UK |
| VR100-Series* | SK422-0000 | X4020-374A | 50252-0000 | 50253-0000 | SP2701-0504 | UK |



*The Service Kits SK422-0000 and SK421-0000 contain just 4 Vanes, and O Ring. If the rotor is required it should be ordered separately.



Shower Drain Pump & Diaphragm Waste Pump

Waste Pump and Shower Drain/Bilge Pump

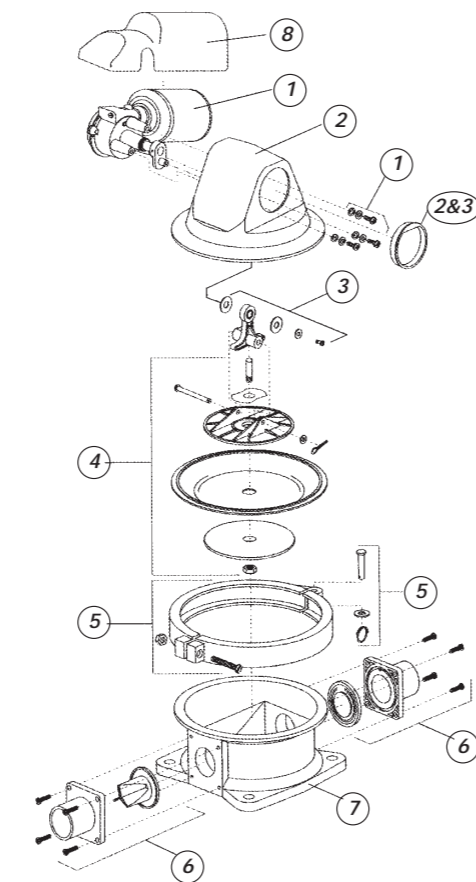
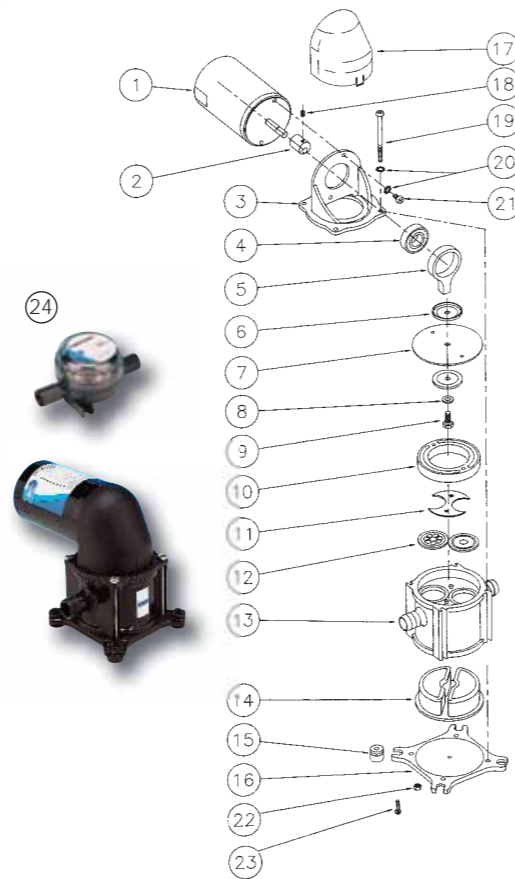


Service Parts

| 37202-2 Series Shower Drain Pump | | |
|----------------------------------|------------|--------------------|
| Repair Kits Available | | |
| Kit | Part No | Description |
| A | 50095-1000 | MAJOR SERVICE KIT |
| B | 50096-1012 | MOTOR KIT 12V |
| C | 50096-1024 | MOTOR KIT 24V |
| D | 50097-1000 | CONNECTING ROD KIT |

| Key | Description | Qty Per Pump | Part No | Qty per Repair Kit | | | |
|-----|--------------------|--------------|------------|--------------------|---|---|---|
| | | | | A | B | C | D |
| 1 | MOTOR 12V | 1 | | | 1 | | |
| 1 | MOTOR 24V | 1 | | | | | 1 |
| 2 | ECCENTRIC DRIVE | 1 | | | | | 1 |
| 3 | BRACKET | 1 | 50092-1000 | | | | |
| 4 | BEARING | 1 | | | | | 1 |
| 5 | CON ROD | 1 | | | | | 1 |
| 6 | DIAPHRAGM PLATE | 1 | 35688-0000 | 1 | | | |
| 7 | DIAPHRAGM | 1 | 37174-0000 | 1 | | | |
| 8 | SEALING WASHER | 1 | | | 1 | | 1 |
| 9 | BOLT | 1 | | | 1 | | 1 |
| 10 | DIAPHRAGM RING | 1 | 35788-0000 | | | | |
| 11 | VALVE RETAINER | 1 | 35816-0000 | 1 | | | |
| 12 | VALVE SET | 1 | 30005-0000 | 1 | | | |
| 13 | BODY | 1 | 50098-1000 | | | | |
| 14 | PULSATION DAMPENER | 1 | 37179-0000 | 1 | | | |
| 15 | GROMMET | 4 | | | 1 | | |
| 16 | FOOT | 1 | 50094-1000 | | | | |
| 17 | COVER | 1 | 50093-1000 | | | | |
| 18 | GRUB SCREW | 1 | | | | | 1 |
| 19 | BOLT | 4 | | | 1 | | 1 |
| 20 | LOCKWASHER | 2 | | | | 2 | 2 |
| 21 | MOTOR SCREW | 2 | | | 2 | 2 | 1 |
| 22 | NUT | 4 | | | | | 1 |
| 23 | SCREW | 1 | | | 1 | | |
| 24 | PUMPGARD™ | 1 | 46200-0000 | | | | |

| 59090 Series Waste Pump (Discontinued) | | | |
|--|---------------------------------|-----|------------|
| Key | Description | Qty | Part No |
| 1 | MOTOR KIT WITH CRANK ARM 12V DC | 1 | 18328-0012 |
| | 24V DC | 1 | 18328-0024 |
| 2 | UPPER HOUSING KIT | 1 | 59093-1000 |
| 3 | CONNECTING ROD ASSY | 1 | 59095-1000 |
| 4 | DIAPHRAGM PLATE KIT | 1 | 29277-1000 |
| 5 | CLAMP RING KIT | 1 | 29252-1000 |
| 6 | PORTS KIT | 1 | 29275-1000 |
| 7 | BODY KIT | 1 | 59091-1000 |
| 8 | SPLASH GUARD | 1 | 59094-1000 |
| | SERVICE KIT | 1 | 90220-0000 |



| 50890 Waste Pump | | |
|------------------|---------|------------|
| Part Numbers | | |
| Model | Voltage | Fuse Sizes |
| 50890-1000 | 12V | 10A |
| 50890-1100 | 24V | 5A |

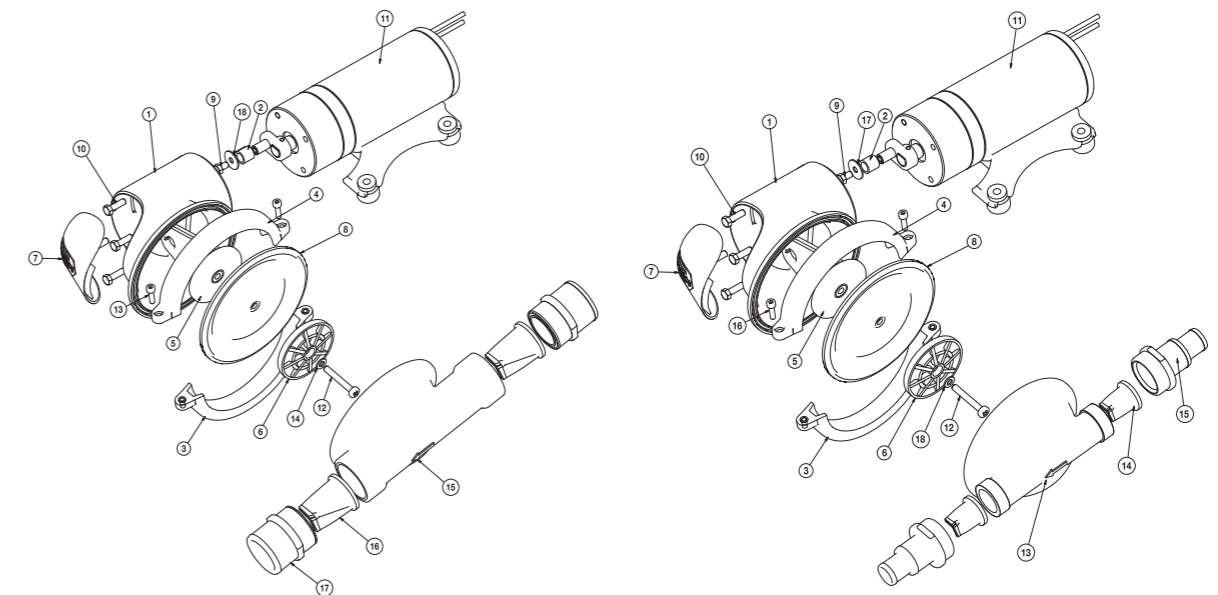
| Service Kit (Includes*) | |
|-------------------------|--------------------------|
| SK890 | Service Kit - Waste Pump |

| Key | Description | *Qty in Kit |
|-----|-------------------------|-------------|
| 1 | Bracket | |
| 2 | Bush | |
| 3 | Clamp Bottom | |
| 4 | Clamp Top | |
| 5 | Con Rod | |
| 6 | Con Rod Plate | |
| 7 | Cover | 1 |
| 8 | Diaphragm | 1 |
| 9 | Hex Head Screw | |
| 10 | Hex Head Screw | 4 |
| 11 | Motor Assembly | |
| 12 | Screw Recessed Pan Head | 1 |
| 13 | Socket Head Screw | |
| 14 | Washer | 1 |
| 15 | Waste Pump Chamber | |
| 16 | Waste Pump Joker Valve | 2 |
| 17 | Waste Pump Port | 2 |
| 18 | Washer | |

| 50880 Shower Drain/Bilge Pump | | |
|-------------------------------|---------|------------|
| Part Numbers | | |
| Model | Voltage | Fuse Sizes |
| 50880-1000 | 12V | 10A |
| 50880-1100 | 24V | 5A |

| Service Kit (Includes*) | |
|-------------------------|---------------------------------|
| SK880 | Service Kit - Shower Drain Pump |

| Key | Description | *Qty in Kit |
|-----|---------------------------------------|-------------|
| 1 | Bracket | |
| 2 | Bush | |
| 3 | Clamp Bottom | |
| 4 | Clamp Top | |
| 5 | Con Rod | |
| 6 | Con Rod Plate | |
| 7 | Cover | 1 |
| 8 | Diaphragm | 1 |
| 9 | Hex Head Screw | |
| 10 | Hex Head Screw | 4 |
| 11 | Motor Assembly | |
| 12 | Screw Recessed Pan Head | 1 |
| 13 | Shower Drain & Bilge Pump Chamber | |
| 14 | Shower Drain & Bilge Pump Joker Valve | 2 |
| 15 | Shower Drain & Bilge Pump Port | 2 |
| 16 | Socket Head Screw | |
| 17 | Washer | |
| 18 | Washer | 1 |



Service Parts

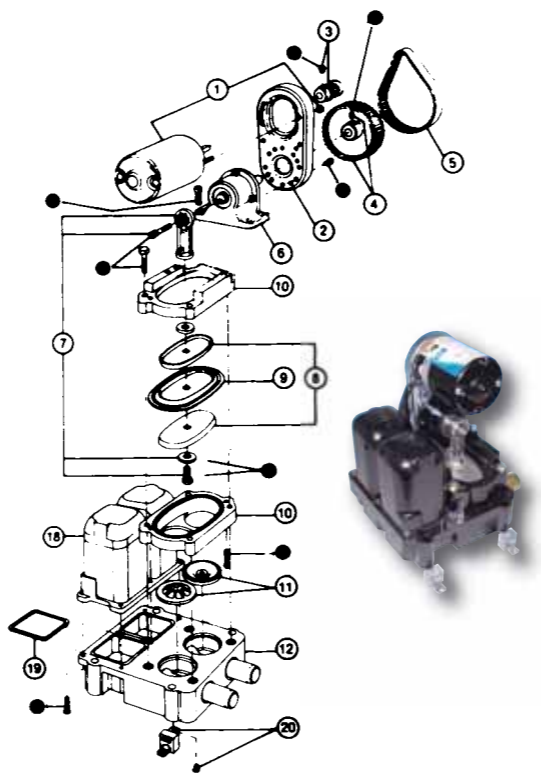
Traditional PAR Pumps

Traditional PAR Pumps

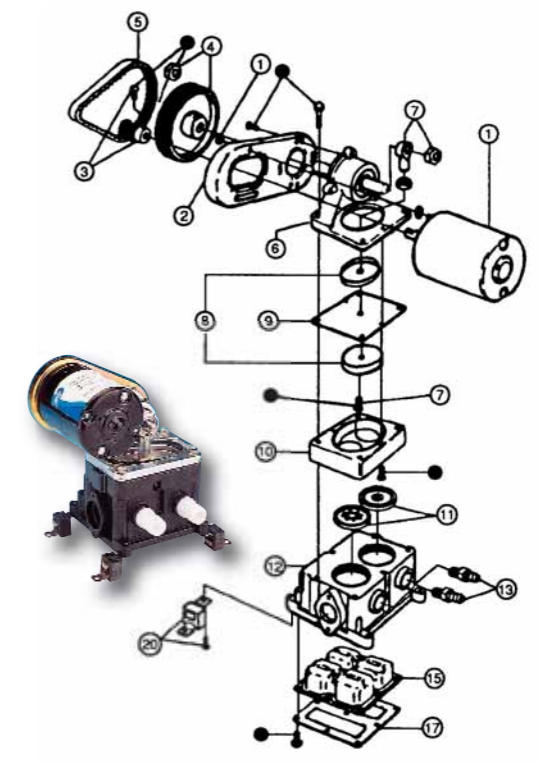
Service Parts

Service Parts

| 34600 Series (was 6600J) Bilge Pump | | | | |
|-------------------------------------|------------------------------|----------------|-----|-------|
| Key | Description | Part No | Qty | |
| 1 | Motor Kit 12 Vdc | 30200-0000 | 1 | |
| | 24 Vdc | 30200-0010 | | |
| 2 | Motor Mount | 34628-0000 | 1 | |
| 3 | Small Pulley | 37169-0000 | 1 | |
| 4 | Large Pulley (with key way) | 37170-0001 | 1 | |
| 5 | Belt | 30021-0000 | * | 1 |
| 6 | Jack Shaft Assembly | 35037-0001 | 1 | |
| 7 | Connecting Rod Assembly | 37172-0001 | 1 | |
| 8 | Diaphragm Plate | Top 34640-0000 | 1 | |
| | Bottom 34637-0000 | | 1 | |
| 9 | Diaphragm | 30012-0000 | * | 1 |
| 10 | Retainer | Top 34633-0000 | 1 | |
| | Bottom 34634-0000 | | 1 | |
| 11 | Valve Set (Inlet and Outlet) | 30002-0000 | * † | 1 set |
| 12 | Base assembly (Seet) | 34623-0000 | † | 1 |
| 18 | Surge Chamber | 34635-0000 | † | 1 |
| 19 | Gaskets | 37181-0000 | † | 1 set |
| 20 | Vibration Pad Kit | 37180-0000 | † | 1 set |
| 21 | Hardware Kit | 37164-0001 | † | 1 set |
| | Service Kit (See*) | 30101-0000 | * | |

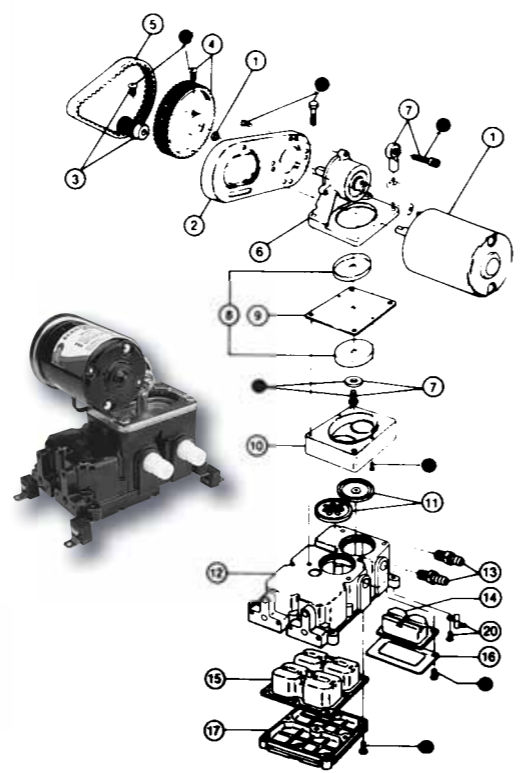


| 36680 Series (was 6680J) Bilge Pump | | | | |
|-------------------------------------|------------------------------|-------------------------|-----|-------|
| Key | Description | Part No | Qty | |
| 1 | Motor Kit 12 Vdc | 30200-0000 | 1 | |
| | 24 Vdc | 30200-0010 | | |
| | 32 Vdc | 30200-0020 | | |
| 2 | Motor Mount | 34628-0000 | 1 | |
| 3 | Small Pulley | 37169-0000 | 1 | |
| 4 | Large Pulley (with key way) | 37171-0001 | 1 | |
| 5 | Belt | 30022-0000 | * | 1 |
| 6 | Jack Shaft Assembly | 35690-0002 - See Note 3 | 1 | |
| 7 | Connecting Rod Assembly | 37173-0001 | 1 | |
| 8 | Diaphragm Plate | 35212-0000 | 2 | |
| 9 | Diaphragm | 30016-0000 | * | 1 |
| 10 | Retainer | 35173-0000 | 1 | |
| 11 | Valve Set (Inlet and Outlet) | 30003-0000 | * † | 1 set |
| 12 | Base assembly (Seet) | 44114-1000 | † | 1 |
| 13 | Ports (Inlet and Outlet) | 37175-0000 | † | 1 |
| 15 | Pulsation Dampener | 44127-1000 | † | 1 |
| 17 | Bottom Plate | 35686-0000 | † | 1 |
| 20 | Vibration Pad Kit | 43990-0058 | † | 1 set |
| 21 | Hardware Kit | 43990-0071 | † | 1 set |
| | Service Kit (See*) | 43990-0062 | * | |

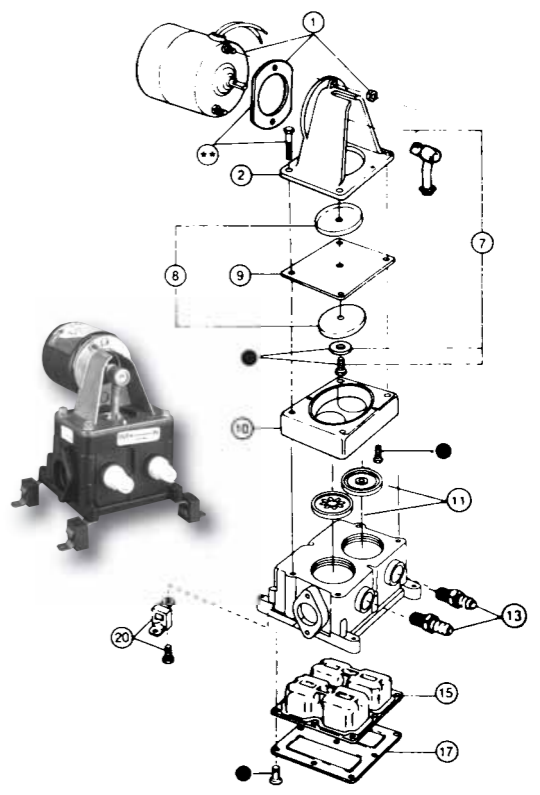


● Indicates items included in Hardware Kit (Key 21).

| 36600 Series (was 6600J) Bilge Pump | | | | |
|-------------------------------------|------------------------------|------------|-----|-------|
| Key | Description | Part No | Qty | |
| 1 | Motor Kit 12 Vdc | 30200-0000 | 1 | |
| | 24 Vdc | 30200-0010 | | |
| 2 | Motor Mount | 34628-0000 | 1 | |
| 3 | Small Pulley | 37169-0000 | 1 | |
| 4 | Large Pulley (with key way) | 37171-0001 | 1 | |
| 5 | Belt | 30022-0000 | * | 1 |
| 6 | Jack Shaft Assembly | 35691-0001 | 1 | |
| 7 | Connecting Rod Assembly | 37173-0001 | 1 | |
| 8 | Diaphragm Plate | 35212-0000 | 2 | |
| 9 | Diaphragm | 30016-0000 | * | 1 |
| 10 | Retainer | 35173-0000 | 1 | |
| 11 | Valve Set (Inlet and Outlet) | 30003-0000 | * † | 1 set |
| 12 | Base assembly (Seet) | 35630-1100 | † | 1 |
| 13 | Ports (Inlet and Outlet) | 37175-0000 | † | 1 |
| 14 | Small Pulsation Dampner | 37177-0000 | * † | 1 |
| 15 | Pulsation Dampener | 37178-0000 | * † | 1 |
| 16 | Small Bottom Plate | 35628-0000 | † | 1 |
| 17 | Bottom Plate | 35623-0000 | † | 1 |
| 20 | Vibration Pad Kit | 37180-0000 | † | 1 set |
| 21 | Hardware Kit | 37165-0000 | † | 1 set |
| | Service Kit (See*) | 30124-0000 | * | |



| 36960 Series (was 6960J) Bilge Pump | | | | | |
|-------------------------------------|------------------------------|------------|-----|--------|------|
| Key | Description | Part No | Qty | Series | |
| | | | | 1000 | 2000 |
| 1 | Motor Kit 12 Vdc | 30202-0000 | 1 | X | X |
| | 24 Vdc | 30201-0010 | | | |
| 2 | Motor Mount | 35487-0000 | 1 | X | X |
| 7 | Connecting Rod Assembly | 30040-0000 | * | 1 | X X |
| 8 | Diaphragm Plate | 35688-0000 | 2 | X | X |
| 9 | Diaphragm | 30015-0000 | * | 1 | X X |
| 10 | Retainer | 35455-0000 | 1 | X | X |
| 11 | Valve Set (Inlet and Outlet) | 30003-0000 | * † | 1 set | X X |
| 12 | Base assembly (Seet) | 35620-0000 | † | 1 | X |
| | | 44114-1000 | † | 1 | X |
| 13 | Ports (Inlet and Outlet) | 37175-0000 | † | 1 | X X |
| 15 | Pulsation Dampener | 37178-0000 | † | 1 | X |
| | | 44127-1000 | † | 1 | X |
| 17 | Bottom Plate | 35686-0000 | † | 1 | X X |
| 20 | Vibration Pad Kit | 37180-0000 | † | 1 set | X |
| | | 44990-0058 | † | 1 set | X |
| 21 | Hardware Kit | 37166-0000 | † | 1 set | X |
| | | 43990-0060 | † | 1 set | X |
| | Service Kit (See*) | 30120-0000 | * | | X |
| | | 43990-0063 | * | | X |



Symbols Key

* Indicates parts contained in Service Kit.
 † Indicates parts supplied with Base Assembly.
 ● Indicates items contained in Hardware Kit (key 21).
 Note 1: For model 37201-0000 use replacement motor number 30202-0000 (12 volt only).
 Note 2: For model 37201-0000 use 2 each 35983-0000 diaphragm plates.
 Note 3: Jack shaft assembly includes new style connecting rod (37173-0001) with 3/16" diameter hole and two lock nuts. Previous models pumps use a connecting rod (37173-0000) with a 1/4" diameter hole and bolt.

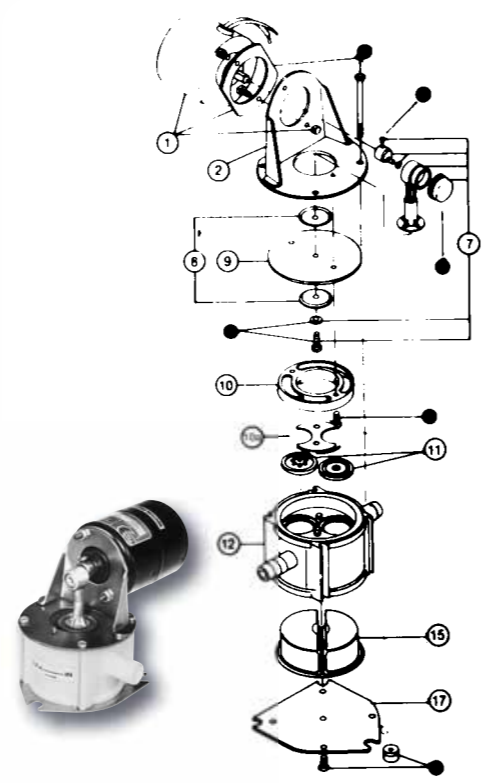
Traditional PAR Pumps

Traditional PAR Pumps

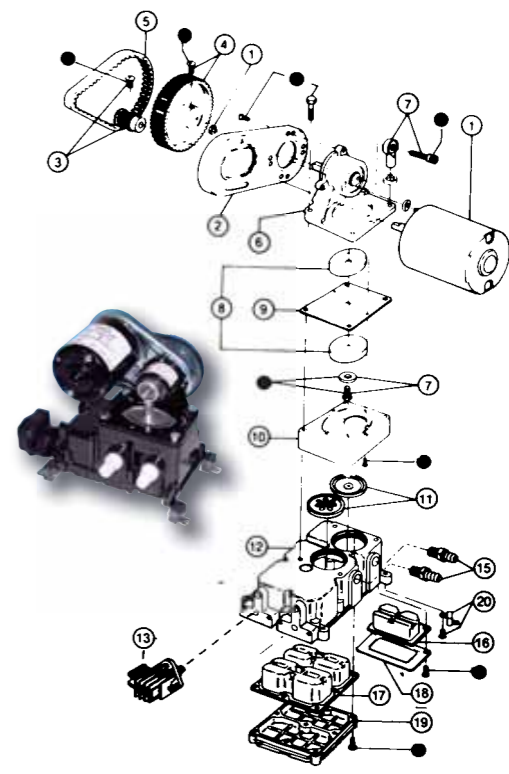
Service Parts

Service Parts

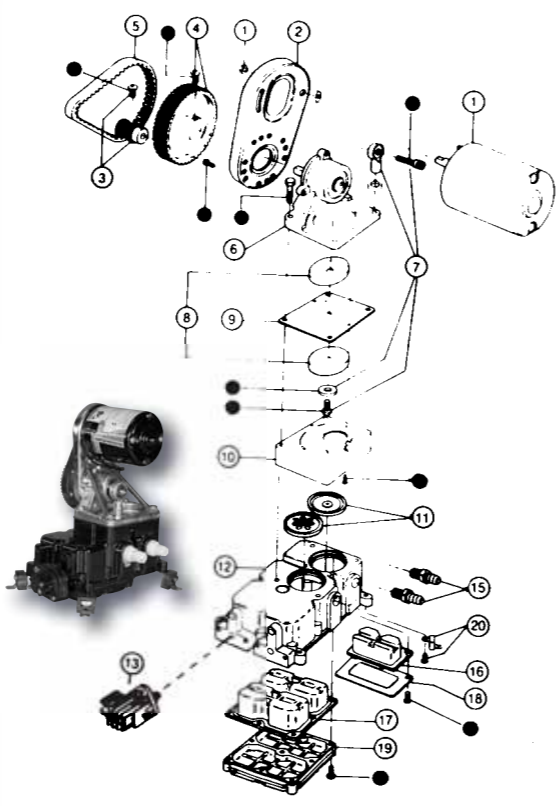
| 37202 Series 1 (was 7202) Bilge Pump | | | |
|--------------------------------------|------------------------------|-------------------------|-------|
| Key | Description | Part No | Qty |
| 1 | Motor Kit 12 Vdc | 30201-0000 - See Note 1 | 1 |
| | 24 Vdc | 30200-0040 | |
| 2 | Motor Mount | 35797-0000 | 1 |
| 7 | Connecting Rod Assembly | 30040-0000 * | 1 |
| 8 | Diaphragm Plate | 35688-0000 - See Note 2 | 2 |
| 9 | Diaphragm | 37174-0000 * | 1 |
| 10 | Retainer | 35788-0000 | 1 |
| 10a | Retainer Plate | 35816-0000 | 1 |
| 11 | Valve Set (Inlet and Outlet) | 30005-0000 * | 1 set |
| 12 | Base assembly (See†) | 35795-0000 † | 1 |
| 15 | Pulsation Dampener | 37179-0000 * | 1 |
| 17 | Bottom Plate | 35798-0000 * | 1 |
| 21 | Hardware Kit | 37168-0000 | 1 set |
| | Service Kit (See*) | 37182-0000 * | |



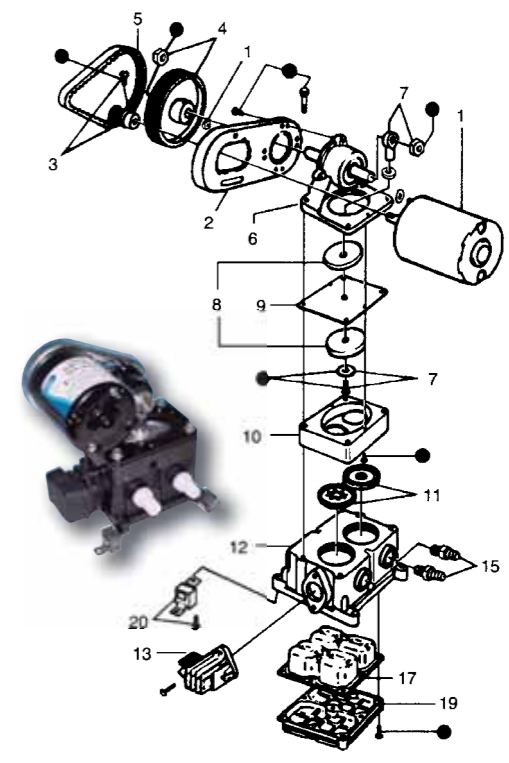
| 36800 Series (was 6600J) Water Pump | | | |
|-------------------------------------|-------------------------------|-------------------------------|-------|
| Key | Description | Part No | Qty |
| 1 | Motor Kit 12 Vdc | 30200-0000 | 1 |
| | 24 Vdc | 30200-0010 | |
| 2 | Motor Mount | 34628-0000 | 1 |
| 3 | Small Pulley | 37169-0000 | 1 |
| 4 | Large Pulley (with key way) | 37170-0001 | 1 |
| 5 | Belt | 30021-0000 * | 1 |
| 6 | Jack Shaft Assembly | 35506-0001 | 1 |
| 7 | Connecting Rod Assembly | 37173-0001 | 1 |
| 8 | Diaphragm Plate | 35503-0000 | 2 |
| 9 | Diaphragm | 30015-0000 * | 1 |
| 10 | Retainer | 35497-0000 | 1 |
| 11 | Valve Set (Inlet and Outlet) | 30004-0000 * † | 1 set |
| 12 | Base assembly (See†) | 35625-1100 † | 1 |
| | | 35625-1200 - for 36850 Series | |
| 13 | Pressure Switch | 37121-0010 | 1 |
| | | 37121-0000 - See Note 2 | 1 |
| 15 | Ports (Inlet & Outlet) Barb** | 37176-0000 † | 1 set |
| 16 | Small Pulsation Dampener | 37177-0000 * † | 1 |
| 17 | Pulsation Dampner | 37178-0000 * † | 1 |
| 18 | Small Bottom Plate | 35628-0000 † | 1 |
| 19 | Bottom Plate | 35623-0000 | |
| 20 | Vibration Pad Kit | 37180-0000 | |
| 21 | Hardware Kit | 37165-0001 | 1 set |
| | Service Kit (See*) | 30122-0000 * | |



| 3600 Series (was 6900J) Water Pump | | | |
|------------------------------------|-------------------------------|-------------------------|-------|
| Key | Description | Part No | Qty |
| 1 | Motor Kit 12 Vdc | 30200-0000 | 1 |
| | 24 Vdc | 30200-0010 | |
| 2 | Motor Mount | 34628-0000 | 1 |
| 3 | Small Pulley | 37169-0000 | 1 |
| 4 | Large Pulley (with key way) | 37170-0001 | 1 |
| 5 | Belt | 30021-0000 * | 1 |
| 6 | Jack Shaft Assembly | 35690-0001 | 1 |
| 7 | Connecting Rod Assembly | 37173-0001 | 1 |
| 8 | Diaphragm Plate | 35212-0000 | 2 |
| 9 | Diaphragm | 30016-0000 * | 1 |
| 10 | Retainer | 35173-0000 | 1 |
| 11 | Valve Set (Inlet and Outlet) | 30004-0000 * † | 1 set |
| 12 | Base assembly (See†) | 35625-1100 † | 1 |
| 13 | Pressure Switch | 37121-0010 | 1 |
| | | 37121-0000 - See Note 2 | 1 |
| 15 | Ports (Inlet & Outlet) Barb** | 37176-0000 † | 1 set |
| 16 | Small Pulsation Dampener | 37177-0000 * † | 1 |
| 17 | Pulsation Dampner | 37178-0000 * † | 1 |
| 18 | Small Bottom Plate | 35628-0000 † | 1 |
| 19 | Bottom Plate | 35623-0000 | † 1 |
| 20 | Vibration Pad Kit | 37180-0000 † | 1 set |
| 21 | Hardware Kit | 37165-0000 | 1 set |
| | Service Kit (See*) | 30121-0000 * | |



| 36950 Series (was 6950J) Water Pump | | | | | |
|-------------------------------------|-------------------------------|--------------------|-------|--------|------|
| Key | Description | Part No | Qty | Series | |
| | | | | 1000 | 2000 |
| 1 | Motor Kit 12 Vdc | 30200-0000 | 1 | X | X |
| | 24 Vdc | 30200-0010 | | | |
| 2 | Motor Mount | 34628-0000 | 1 | X | X |
| 3 | Small Pulley | 37169-0000 | 1 | X | X |
| 4 | Large Pulley (with key way) | 37171-0001 | 1 | X | X |
| 5 | Belt | 30022-0000 * | 1 | X | X |
| 6 | Jack Shaft Assembly | 35689-0001 | 1 | X | X |
| 7 | Connecting Rod Assembly | 37173-0001 | 1 | X | X |
| 8 | Diaphragm Plate | 35503-0000 | 2 | X | X |
| 9 | Diaphragm | 30015-0000 * | 1 | X | X |
| 10 | Retainer | 35497-0000 | 1 | X | X |
| 11 | Valve Set (Inlet and Outlet) | 30004-0000 * † | 1 set | X | X |
| 12 | Base assembly (See†) | 44114-1000 † | 1 | X | |
| | | 44114-1100 † | 1 | | X |
| | | 35620-1200 | | | |
| | | - for 36955 Series | | | |
| 13 | Pressure Switch | 37121-0010 | 1 | X | X |
| | | 37121-0000 | | | |
| | | - See Note 2 | | | |
| 15 | Ports (Inlet & Outlet) Barb** | 37176-0000 † | 1 set | X | X |
| 17 | Pulsation Dampner | 37178-0000 * † | 1 | X | |
| | | 44127-1000 * † | 1 | | X |
| 19 | Bottom Plate | 35686-0000 † | 1 | X | X |
| 20 | Vibration Pad Kit | 37180-0000 † | 1 set | X | |
| | | 43990-0058 † | 1 set | | X |
| 21 | Hardware Kit | 43990-0071 † | 1 set | X | |
| | | 43990-0059 † | 1 set | | X |
| | Service Kit (See*) | 30126-0000 * | | X | |
| | | 43990-0061 * | | | X |



Symbols Key
 * Indicates parts contained in Service Kit.
 † Indicates parts supplied with Base Assembly.
 ● Indicates items contained in Hardware Kit (key 21).
 ** 1/2" Threaded Outlet Port 37050-0001.
 1/2" Threaded Inlet Port 37050-0000.
 1/2" Flare Outlet Port 37050-0002. 1/2" Flare Inlet Port 37050-0003.
 Note 1: For model 37205-0000 use replacement motor number 30202-0000 (12 volt only).
 Note 2: Includes Switch and Conversion Kit to mount new type switch onto older style-J and -0000 pumps.

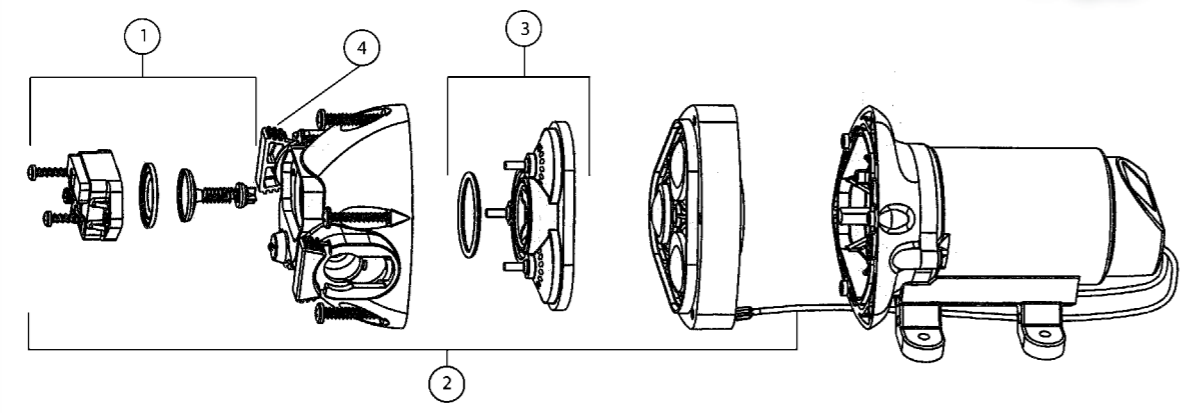
PAR-Max 31X95 Series PAR-Mate Pumps

PAR-Max 4.0 GPM Washdown Pump

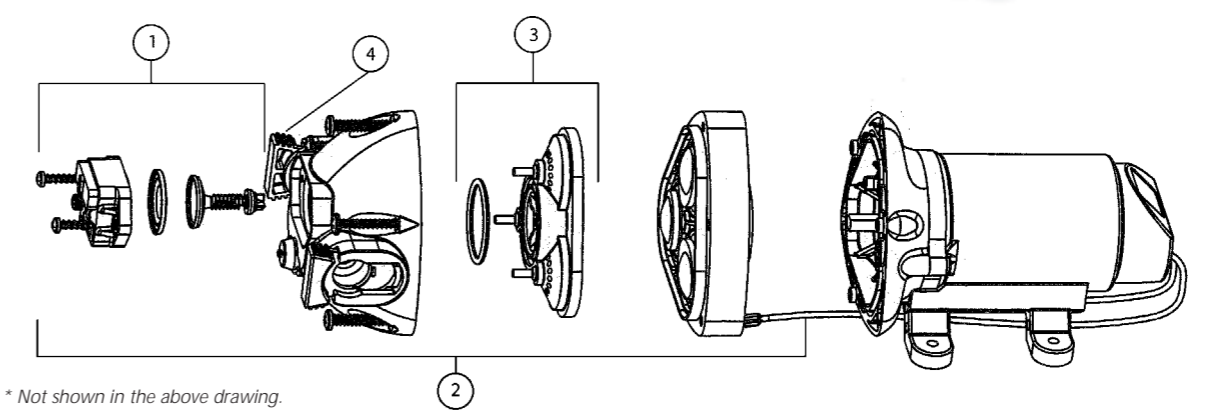
Service Parts

Service Parts

| PAR-Max 1.9 and 2.9 Water Systems Pump | | | | | | |
|--|----------------------|-----|-----|---------------------|---------------------|---------------------|
| Key | Description | PSI | Qty | 31395 - xxxx Series | 31295 - xxxx Series | 31331 - xxxx Series |
| 1 | Pressure Switch | 25 | 1 | 18916-1025 | 18916-1025 | N/A |
| | | 40 | 1 | 18916-1040 | | N/A |
| | | 50 | 1 | 18916-1050 | | N/A |
| 2 | Pumphead Assembly | 25 | 1 | 18914-1025 | 18914-0025 | 18914-1000 |
| | | 40 | 1 | 18914-1040 | | |
| | | 50 | 1 | 18914-1050 | | |
| 3 | Check Valve Assembly | | 1 | 18911-1030 | 18911-1030 | 18911-1030 |
| 4 | Slide Clips (pair) | | 1 | 30647-1000 | 30647-1000 | 30647-1000 |

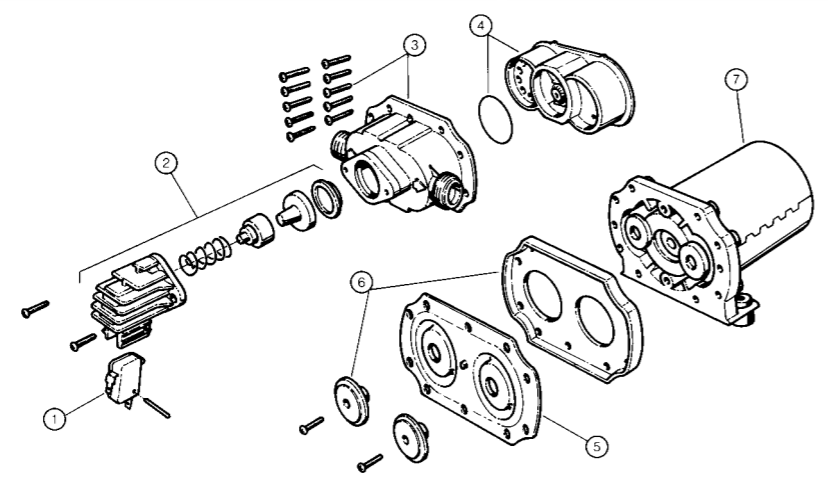
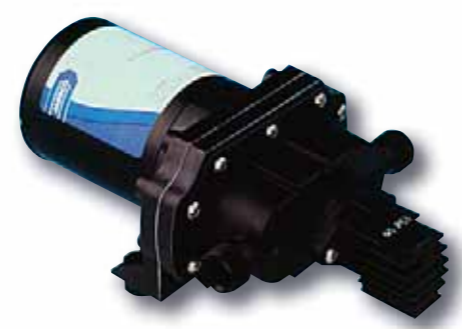


| PAR-Max 4.0 GPM Washdown Pump | | | |
|-------------------------------|--------------------------|-----|------------|
| Key | Description | Qty | Part No |
| 1 | Pressure Switch | 1 | 18916-1060 |
| 2 | Pump head | 1 | 18914-1060 |
| 3 | Valve Kit | 1 | 18911-1030 |
| 4 | Slide Clips | 2 | 30647-1000 |
| 5 | Motor Kit 12 V | 1 | 18919-0187 |
| | Motor Kit 24 V | 1 | 18919-1080 |
| 7 | Pumpgard™ Strainer* | 1 | 46400-9500 |
| | Spray Nozzle US* | 1 | 30703-1000 |
| | Spray Nozzle EC Adapter* | 1 | 30704-1000 |
| 8 | Hose Coil, 25'* | 1 | 31910-3015 |



* Not shown in the above drawing.

| 44010 and 44020 Series PAR-Mate Pump (Disc. Models) | | | |
|---|----------------------|-----|---------------------|
| Key | Description | Qty | Part No |
| 1 | Micro Switch | 1 | 18753-0141 |
| 2 | High Pressure Switch | 1 | 37121-0010* |
| | | 1 | 44814-1000* |
| 3 | Body Kit 44010 | 1 | No longer available |
| | Body Kit 44020 | 1 | No longer available |
| 4 | Valve Kit | 1 | No longer available |
| 5 | Diaphragm Kit | 1 | 44017-2000 |
| 6 | Plate/Piston Kit | 1 | No longer available |
| 7 | Motor Kit 12 Vdc | 1 | No longer available |
| | Motor Kit 24 Vdc | 1 | No longer available |



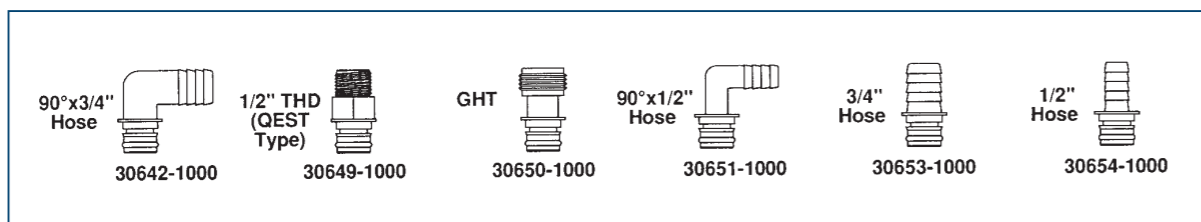
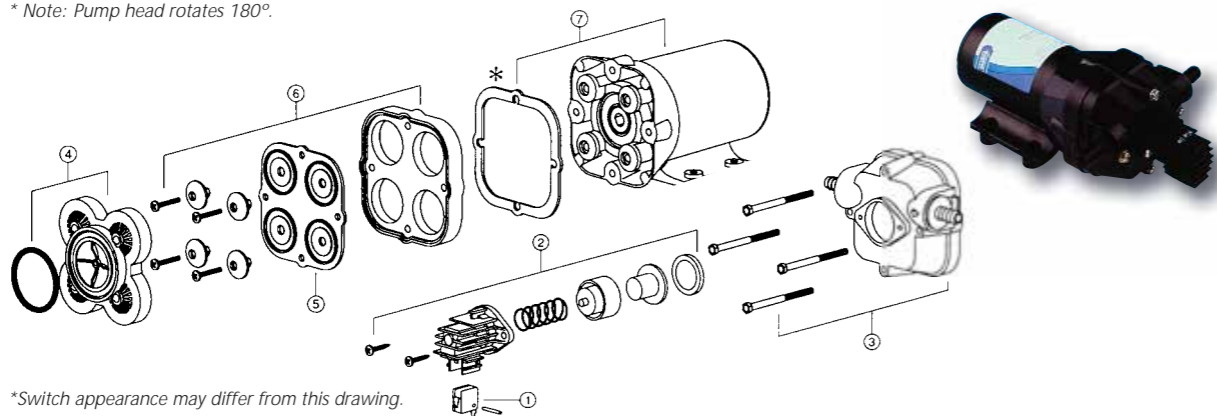
* Note: Models 44010-2010 and 44010-2011 use low pressure switches. Model 44010-2000 uses high pressure switch. Model 44020-series not fitted with a pressure switch.

Old 30XXX Series PAR-Max Pumps

| Water System Pumps | | | | | | |
|------------------------|----------------------|-----|--------------|--------------|--------------|--------------|
| Key | Description | Qty | 30600 Series | 30620 Series | 30710 Series | 30720 Series |
| 1 | Micro Switch | 1 | 18753-0141 | 18753-0141 | 18753-0141 | 18753-0141 |
| 2 | Pressure Switch | 1 | 37121-0010 | 37121-0010 | 37121-0010 | N/A |
| | Low Pressure Switch | 1 | 44814-1000 | 44814-1000 | N/A | N/A |
| 3 | Body Kit | 1 | 30608-1000 | 30608-1000 | 30608-1000 | 30608-1000 |
| 4 | Valve Kit | 1 | 30613-1001 | 30613-1001 | 30613-1001 | 30613-1001 |
| 5 | Diaphragm Kit | 1 | 30617-1000 | 30617-1000 | 30617-1000 | 30617-1000 |
| 6 | Plate/Piston Kit | 1 | 30682-1000 | 30682-1000 | 30682-1000 | 30682-1000 |
| 7 | Motor Kit 12Vdc EMC | 1 | 18753-0575 | 18753-0577 | 18753-0572 | 18753-0577 |
| | Motor Kit 12Vdc | 1 | 18753-0444 | 18753-0463 | N/A | 18753-0463 |
| | Motor Kit 24Vdc EMC | 1 | 18753-0576 | 18753-0578 | 18753-0573 | 18753-0578 |
| | Motor Kit 24Vdc | 1 | 18753-0451 | 18753-0464 | N/A | 18753-0464 |
| Standard Ports Kits | 1/2" Barb | 2 | 30654-1000 | 30654-1000 | N/A | N/A |
| | 1/2" Threaded (QEST) | 2 | 30649-1000 | 30649-1000 | N/A | N/A |
| | 3/4" Barb | 2 | | | 30653-1000 | 30653-1000 |
| | Pumpgard™ Strainer | 1 | 46400-0002 | 46400-0002 | 46400-0002 | 46400-0002 |
| | Spray Nozzle | 1 | N/A | N/A | 30703-1000 | N/A |

| Bilge/Washdown Pumps | | | | | | | |
|----------------------|----------------------|-----|--------------|------------|-------------------------|-------------------------|------------|
| Key | Description | Qty | 30621 Series | 30631* | 30700-00X2 & 30700-00X4 | 30700-03X2 & 30700-03X4 | 30705 |
| 1 | Micro Switch | 1 | 18753-0141 | N/A | 18753-0141 | 18753-0141 | N/A |
| 2 | Pressure Switch | 1 | 37121-0010 | N/A | 44050-1000 | 44050-1000 | N/A |
| | Low Pressure Switch | 1 | 44814-1000 | N/A | N/A | N/A | N/A |
| 3 | Body Kit | 1 | 30608-1000 | 30608-1001 | 30608-1000 | 30608-1000 | 30608-1001 |
| 4 | Valve Kit | 1 | 30613-1001 | 30613-1001 | 30613-1001 | 30613-1001 | 30613-1001 |
| 5 | Diaphragm Kit | 1 | 30617-1000 | 30617-1000 | 30617-1000 | 30617-1000 | 30617-1000 |
| 6 | Plate/Piston Kit | 1 | 30682-1000 | 30682-1000 | 30682-1000 | 30682-1000 | 30682-1000 |
| 7 | Motor Kit 12Vdc EMC | 1 | 18753-0577 | 18753-0579 | 18753-0579 | 18753-0579 | 18753-0579 |
| | Motor Kit 12Vdc | 1 | 18753-0463 | 18753-0489 | 18753-0489 | 18753-0489 | 18753-0489 |
| | Motor Kit 24Vdc EMC | 1 | 18753-0578 | 18753-0595 | 18753-0595 | 18753-0595 | 18753-0595 |
| | Motor Kit 24Vdc | 1 | 18753-0464 | 18753-0490 | 18753-0490 | 18753-0490 | 18753-0490 |
| | 1/2" Barb | 2 | 30654-1000 | N/A | | 30654-1000 | N/A |
| | 1/2" Threaded (QEST) | 2 | 30649-1000 | N/A | | N/A | N/A |
| | 3/4" Barb | 2 | 30653-1000 | 30653-1000 | 30653-1000 | | 30653-1000 |
| | Pumpgard™ Strainer | 1 | 36400-0000 | 46200-0000 | 46400-0000 | 46400-0002 | 46200-0000 |
| | Spray Nozzle | 1 | | N/A | 30703-1000 | 30704-1000 | N/A |

* Note: Pump head rotates 180°.



Optional Port Adaptors available (2 per Kit). Also fit new PAR-Max range.

New 31XXX Series PAR-Max Pumps

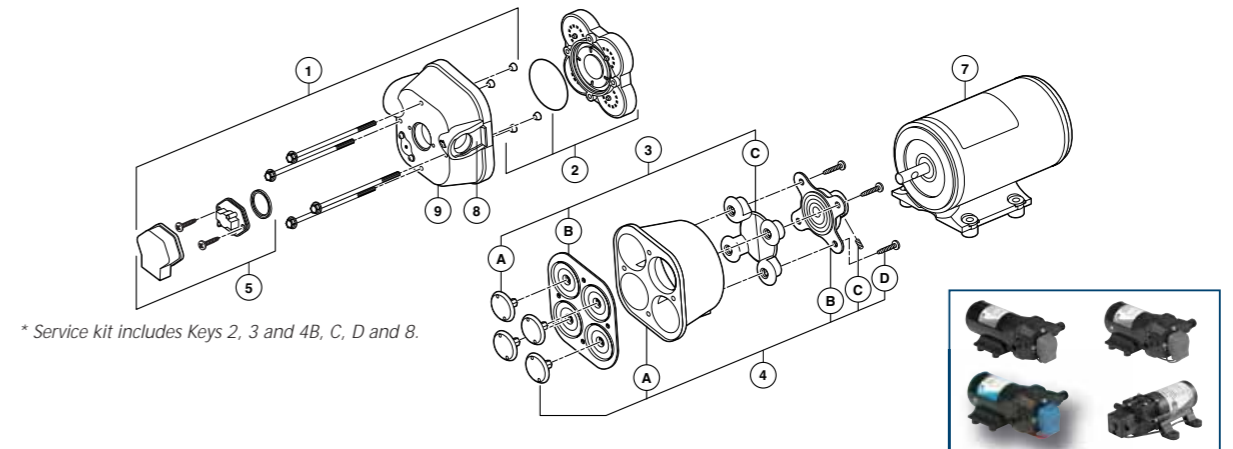


| PAR-Max 1 Automatic Water System Pump & Manual Demand Pump | | | | | | | | |
|--|------------|------------|------------|-------------|-------------|-----------|-----------|---------|
| Pump Service Parts List | | | | Strainers | | | | |
| Description | Part No | 42630-2900 | 42631-2900 | Pump Series | Strainer No | Inlet | Outlet | Screen |
| Pump head Repair Kit | 42632-0000 | X | X | 42630-2900 | 36400-0003 | 3/8" Barb | 3/8" Barb | 40 Mesh |
| Motor/Housing Kit | 42633-0000 | X | X | 42631-2900 | 36400-0003 | 3/8" Barb | 3/8" Barb | 40 Mesh |
| Pressure Switch Assy. | 42634-0000 | X | | | | | | |

| PAR-Max 2+, PAR-Max 3 & PAR-Max 4 Water System Pump | | | | | | |
|---|--------------------------------|-----|--------------|--------------|--------------|--------------|
| Key | Description | Qty | 31595 Series | 31600 Series | 31620 Series | 31630 Series |
| 1 | Upper Housing XXXXX-0092 | 1 | 18910-4040 | 18910-4040 | 18910-4040 | 18910-4040 |
| | Upper Housing XXXXX-0094 | 1 | 18910-4040 | 18910-4040 | 18910-4040 | 18910-4040 |
| | Upper Housing XXXXX-0292 | 1 | 18910-4025 | 18910-4025 | 18910-4025 | 18910-4025 |
| | Upper Housing XXXXX-0294 | 1 | 18910-4025 | 18910-4025 | 18910-4025 | 18910-4025 |
| 2 | Valve Kit | 1 | 18911-7030 | 18911-7030 | 18911-7030 | 18911-7030 |
| 3 | Diaphragm Kit | 1 | 18912-3040 | 18912-3040 | 18912-3040 | 18912-3040 |
| 4 | Lower Housing Kit | 1 | 18915-9000 | 18915-9002 | 18915-9002 | 18915-9002 |
| 5 | Pressure Switch XXXXX-0092 | 1 | 37121-0010 | 37121-0010 | 37121-0010 | 37121-0010 |
| | Pressure Switch XXXXX-0094 | 1 | 37121-0010 | 37121-0010 | 37121-0010 | 37121-0010 |
| | Pressure Switch XXXXX-0292 | 1 | 44814-1000 | 44814-1000 | 44814-1000 | 44814-1000 |
| | Pressure Switch XXXXX-0294 | 1 | 44814-1000 | 44814-1000 | 44814-1000 | 44814-1000 |
| 6* | Service Kit | 1 | 18920-9042 | 18920-9043 | 18920-9043 | 18920-9043 |
| 7 | Motor Kit – 12V EMC COMP | 1 | 18919-0134 | 18919-0131 | 18919-0132 | 18919-0133 |
| | Motor Kit – 24V EMC COMP | 1 | 18919-1055 | 18919-1052 | 18919-1053 | N/A |
| 8 | Slide Clips | 1 | 30648-1000 | 30648-1000 | 30648-1000 | 30648-1000 |
| 9 | Pumphead Assy. XXXXX-0092 | 1 | 18914-6240 | 18914-6340 | 18914-6340 | 18914-6340 |
| | Pumphead Assy. XXXXX-0094 | 1 | 18914-6240 | 18914-6340 | 18914-6340 | 18914-6340 |
| | Pumphead Assy. XXXXX-0292 | 1 | 18914-6225 | 18914-6325 | 18914-6325 | 18914-6325 |
| | Pumphead Assy. XXXXX-0294 | 1 | 18914-6225 | 18914-6325 | 18914-6325 | 18914-6325 |
| | Pumpgard Strainer with Support | 1 | - | - | - | 36400-9000 |

| PAR-Max 3 & PAR-Max 4 Washdown/Baitewell & Shower Drain/General Purpose | | | | | | | |
|---|--------------------------|-----|--------------|--------------|--------------|--------------|--------------|
| Key | Description | Qty | 31605 Series | 31610 Series | 31631 Series | 31705 Series | 31700 Series |
| 1 | Upper Housing | 1 | 18910-4050 | 18910-4000 | 18910-4000 | 18910-4000 | 18910-4050 |
| 2 | Valve Kit | 1 | 18911-7030 | 18911-7010 | 18911-7010 | 18911-7010 | 18911-7030 |
| 3 | Diaphragm Kit | 1 | 18912-3040 | 18912-3050 | 18912-3050 | 18912-3050 | 18912-3040 |
| 4 | Lower Housing Kit | 1 | 18915-9002 | 18915-9005 | 18915-9005 | 18915-9005 | 18915-9002 |
| 5 | Pressure Switch | 1 | 44050-1000 | N/A | N/A | N/A | 44050-1000 |
| 6* | Service Kit | 1 | 18920-9043 | 18920-9053 | 18920-9053 | 18920-9053 | 18920-9043 |
| 7 | Motor Kit – 12V EMC COMP | 1 | 18919-0139 | 18919-0139 | 18919-0140 | 18919-0140 | 18919-0140 |
| | Motor Kit – 24V EMC COMP | 1 | 18919-1061 | 18919-1061 | 18919-1062 | 18919-1062 | 18919-1062 |
| 8 | Slide Clips | 1 | 30648-1000 | 30648-1000 | 30648-1000 | 30648-1000 | 30648-1000 |
| 9 | Pumphead Assy. | 1 | 18914-6350 | 18914-6300 | 18914-6300† | 18914-6300 | 18914-6350 |
| | Pumpgard™ Strainer US | 1 | 46400-0000 | 46400-0000 | 46400-0000 | 46400-0000 | 46400-0000 |
| | Pumpgard™ Strainer EC | 1 | 46400-0002 | 46400-0002 | 46400-0002 | 46400-0002 | 46400-0002 |
| | Spray Nozzle US | 1 | 30703-1000 | - | - | - | 30703-1000 |
| | Spray Nozzle EC | 1 | 30704-1000 | - | - | - | 30704-1000 |

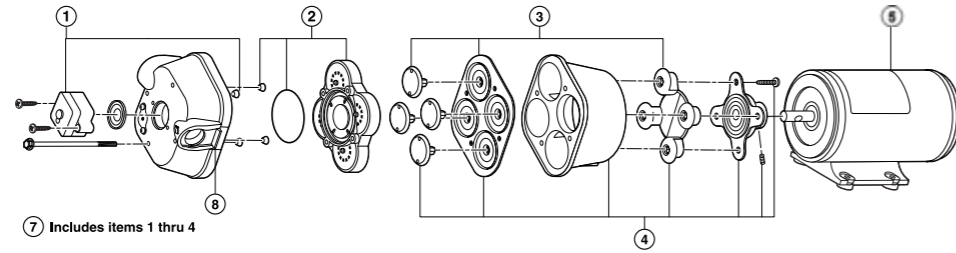
† Note: Pump head rotates 180°.



Service Parts

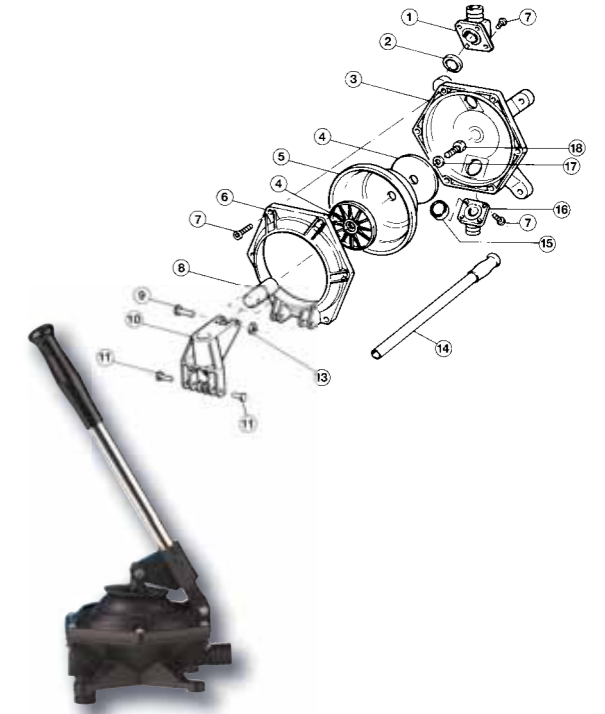
Service Parts

| Sensor Max™ VSD | | | |
|-----------------|--------------------------------------|------------|------------|
| Key | Description | 31750 | 31755 |
| 0 | Service Kit* | 18920-9043 | 18920-9043 |
| 1 | Upper Housing with Sensor Housing | 18910-4027 | 18910-4028 |
| 2 | Check Valve Assembly | 18911-7030 | 18911-7030 |
| 3 | Diaphragm Assembly (includes screws) | 18912-3040 | 18912-3040 |
| 4 | Lower Housing Assembly | 18915-9002 | 18915-9002 |
| 5 | Motors with Sensor | 18919-0128 | 18919-0127 |
| 7 | Pump Head Assembly | 18914-6037 | 18914-6038 |
| 9 | Pumpgard™ | 46400-9500 | 46400-9500 |

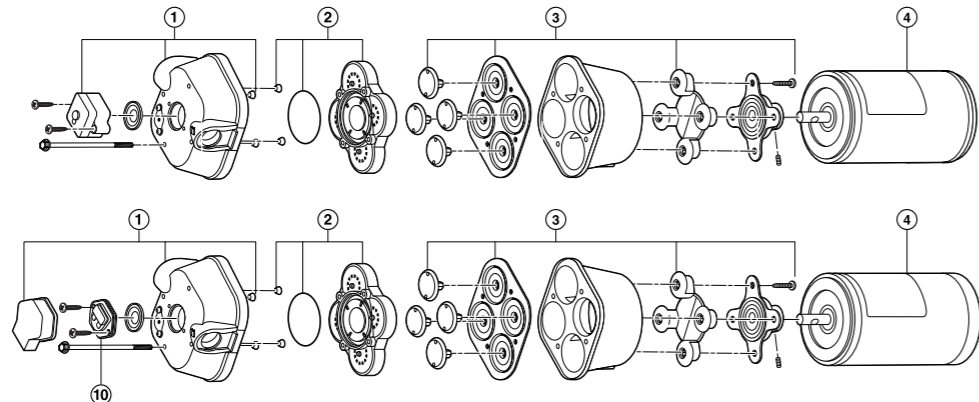


| 29240-0000 Bulkhead | | |
|-----------------------|------------|-------------------------|
| Repair Kits Available | | |
| Kit | Part No | Description |
| A | 29246-1000 | MAJOR SERVICE KIT |
| B | 29241-1000 | PORTS KIT |
| C | 29243-1000 | CLAMP RING & ROCKER KIT |

| Key | Description | Qty Per Pump | Part No | Qty per Repair Kit | | |
|-----|--------------------|--------------|------------|--------------------|---|---|
| | | | | A | B | C |
| 1 | OUTLET PORT | 1 | | 1 | 1 | |
| 2 | OUTLET VALVE | 1 | | 1 | 1 | |
| 3 | BODY | 1 | 29242-1000 | | | |
| 4 | DIAPHRAGM PLATE | 2 | | | | 2 |
| 5 | DIAPHRAGM | 1 | | 1 | | |
| 6 | CLAMP RING | 1 | | | | 1 |
| 7 | SCREW | 14 | | 2 | 2 | 3 |
| 8 | CON ROD | 1 | | | | 1 |
| 9 | CLEVIS PIN (LONG) | 1 | | | | 1 |
| 10 | ROCKER | 1 | | | | 1 |
| 11 | CLEVIS PIN (SHORT) | 1 | | | | 1 |
| 13 | WASHER | 1 | | | | 1 |
| 14 | HANDLE | 1 | 29267-1000 | | | |
| 15 | INLET VALVE | 1 | | 1 | 1 | |
| 16 | INLET PORT | 1 | | | 1 | |
| 17 | WASHER | 1 | | 1 | 1 | |
| 18 | BOLT | 1 | | | | 1 |

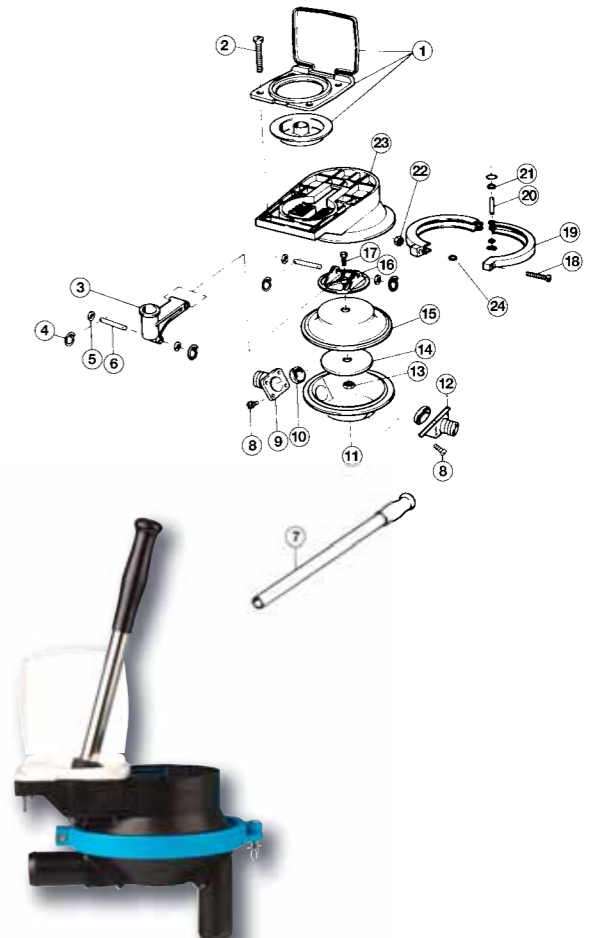


| Dual Max VSD | | | |
|--------------------------|--------------------|------------|------------|
| Key | Description | Upper Pump | Lower Pump |
| 31765-0092 12 VDC | | | |
| 1 | Upper housing | 18910-4028 | 18910-4040 |
| 2 | Valve Assembly | 18911-7030 | 18911-7030 |
| 3 | Lower Housing | 18915-9002 | 18915-9002 |
| 4 | Diaphragm Assembly | 18912-3040 | 18912-3040 |
| 5 | Motor | 18919-0127 | 18919-0132 |
| | Pressure Switch | N/A | 37121-0010 |
| | Service Kit | 18920-9043 | 18920-9073 |
| 31765-0094 24 VDC | | | |
| 1 | Upper housing | 18910-4028 | 18910-4025 |
| 2 | Valve Assembly | 18911-7030 | 18911-7030 |
| 3 | Lower Housing | 18915-9002 | 18915-9002 |
| 4 | Diaphragm Assembly | 18912-3040 | 18912-3040 |
| 5 | Motor | 18919-0127 | 18919-1053 |
| | Pressure Switch | N/A | 37121-0010 |
| | Service Kit | 18920-9043 | 18920-9043 |



| 29250 Series ThruDeck | | |
|-----------------------|------------|---------------------|
| Repair Kits Available | | |
| Kit | Part No | Description |
| A | 29256-1000 | MAJOR SERVICE KIT |
| B | 29241-1000 | PORTS KIT 1" |
| C | 29241-1010 | PORTS KIT 1 1/2" |
| D | 29252-1000 | CLAMP RING ASSEMBLY |
| | 29254-1000 | ROCKER ASSEMBLY |

| Key | Description | Qty Per Pump | Part No | Qty per Repair Kit | | | |
|-----|-------------------------|--------------|------------|--------------------|---|---|---|
| | | | | A | B | C | D |
| 1 | THROUGH DECK KIT | 1 | 29279-0000 | | | | |
| 2 | SCREW | 4 | | | | | |
| 3 | ROCKER | 1 | | | | | 1 |
| 4 | RING CLIP | 6 | | | | 2 | 4 |
| 5 | WASHER | 4 | | | | | 4 |
| 6 | CLEVIS PIN (LONG) | 2 | | | | | 2 |
| 7 | HANDLE | 1 | 29267-1000 | | | | |
| 8 | SCREW | 8 | | 2 | 2 | | |
| 9 | OUTLET PORT | 1 | | | 1 | | |
| 10 | FLAP VALVE | 2 | | 2 | 2 | | |
| 11 | LOWER BODY | 1 | | | | | |
| 12 | INLET PORT | 1 | | | 1 | | |
| 13 | NYLOC NUT | 1 | | 1 | | | 1 |
| 14 | DIAPHRAGM PLATE (LOWER) | 1 | | | | | 1 |
| 15 | DIAPHRAGM | 1 | | 1 | | | |
| 16 | DIAPHRAGM PLATE (UPPER) | 1 | | | | | 1 |
| 17 | BOLT | 1 | | | | | 1 |
| 18 | SCREW | 1 | | 1 | 1 | | |
| 19 | DIAPHRAGM CLAMP RING | 2 | | | 2 | | |
| 20 | CLEVIS PIN (SHORT) | 1 | | | | | 1 |
| 21 | WASHER | 2 | | | 2 | | |
| 22 | NUT | 1 | | | | | 1 |
| 23 | UPPER BODY | 1 | | | | | |
| 24 | O-RING | 1 | | 1 | | | 1 |



Amazon Manual Diaphragm Pumps

PAR Manual Toilets up to 1997

Service Parts

29270-0000 Universal

| Repair Kits Available | | |
|-----------------------|------------|-------------------------|
| Kit | Part No | Description |
| A | 29276-1000 | MAJOR SERVICE KIT |
| B | 29275-1000 | PORTS KIT |
| C | 29272-1000 | CLAMP RING & ROCKER KIT |

| Key | Description | Qty Per Pump | Part No | Qty per Repair Kit | | |
|-----|-------------------------|--------------|------------|--------------------|---|---|
| | | | | A | B | C |
| 1 | BODY | 1 | 29271-1000 | | | |
| 2 | INLET VALVE | 1 | | 1 | 1 | |
| 3 | PORT | 2 | | | 2 | |
| 4 | SCREW | 8 | | 3 | 2 | |
| 5 | PUSH FIT ELBOW | 1 | 29266-1000 | | | |
| 6 | DIAPHRAGM PLATE (INNER) | 1 | | | | 1 |
| 7 | DIAPHRAGM | 1 | | 1 | | |
| 8 | DIAPHRAGM PLATE (OUTER) | 1 | | | | 1 |
| 9 | CLAMP RING | 1 | | | | 1 |
| 10 | SCREW | 8 | | 3 | 3 | |
| 11 | PIVOT PIN | 2 | | | | 1 |
| 12 | WASHER | 4 | | 1 | 2 | |
| 13 | RING CLIP | 4 | | 1 | 2 | |
| 14 | ROCKER | 1 | | | | 1 |
| 15 | BOLT | 1 | | | | 1 |
| 16 | HANDLE | 1 | 29267-1000 | | | |
| 17 | NYLOC NUT | 1 | | 1 | | 1 |
| 18 | OUTLET VALVE | 1 | | 1 | 1 | |

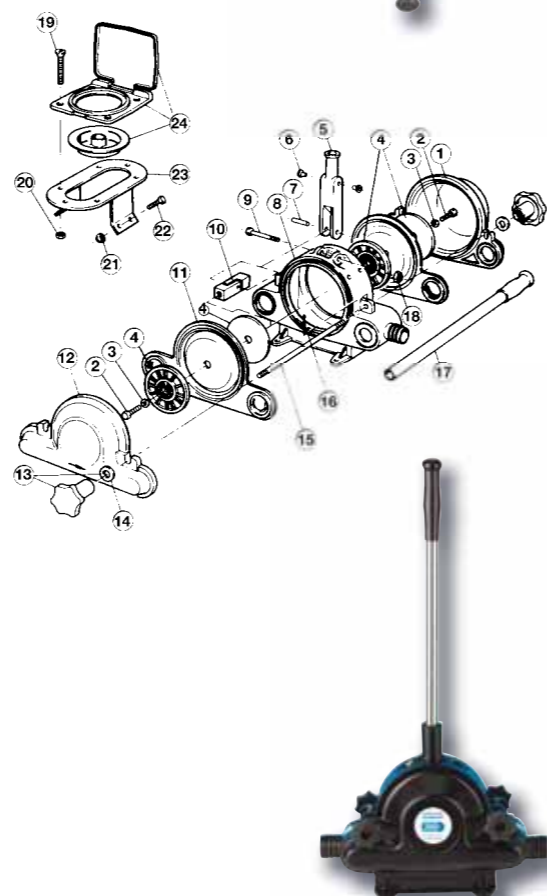
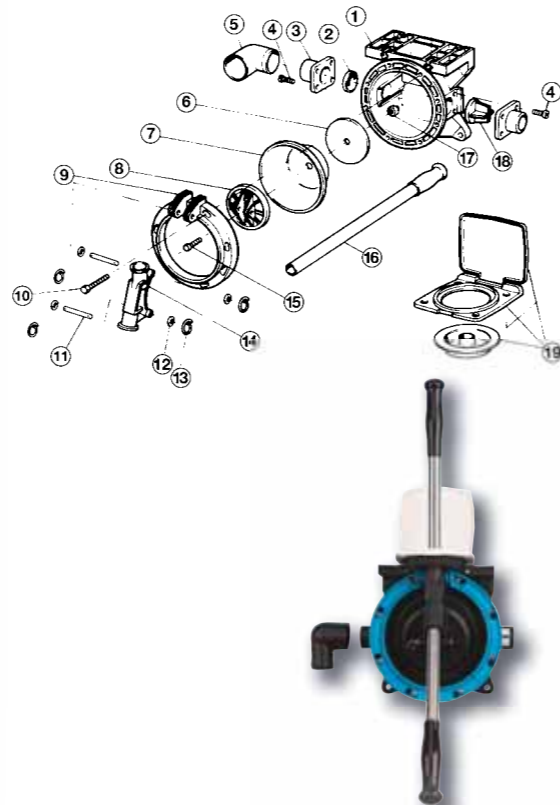
| Optional Extras Available | | |
|---------------------------|------------|------------------|
| Key | Part No | Description |
| 19 | 29279-0000 | THROUGH DECK KIT |

29280-0000 Warrior

| Repair Kits Available | | |
|-----------------------|------------|-------------------|
| Kit | Part No | Description |
| A | 29286-1000 | MAJOR SERVICE KIT |
| B | 29283-1000 | BODY KIT |
| C | 29284-1000 | ROCKER KIT |

| Key | Description | Qty Per Pump | Part No | Qty per Repair Kit | | |
|-----|------------------------|--------------|------------|--------------------|---|---|
| | | | | A | B | C |
| 1 | LEFT HAND COVER PLATE | 1 | 29281-1000 | | | |
| 2 | BOLT (DIAPHRAGM PLATE) | 2 | | | | 2 |
| 3 | WASHER | 2 | | 1 | 2 | |
| 4 | DIAPHRAGM PLATE | 4 | | | 4 | |
| 5 | ROCKER ARM | 1 | | | 1 | |
| 6 | BUSH | | | | 2 | |
| 7 | PIVOT PIN | 1 | | | 1 | |
| 8 | BODY | 1 | | | 1 | |
| 9 | BOLT (ROCKER ASSEMBLY) | 1 | | | 1 | |
| 10 | CONROD | 1 | | | 1 | |
| 11 | DIAPHRAGM | 2 | | | 2 | |
| 12 | RIGHT HAND COVER PLATE | 1 | 29282-1000 | | | |
| 13 | KNOB & WASHER ASSY | 4 | 29288-1000 | | | |
| 14 | WASHER (STUD) | 4 | | 2 | | |
| 15 | LONG STUD | 2 | | | 2 | |
| 16 | ROLL PIN | 2 | | | 2 | |
| 17 | HANDLE | 1 | 29287-1000 | | | |
| 18 | NUT (ROCKER ASSEMBLY) | 1 | | | 1 | |

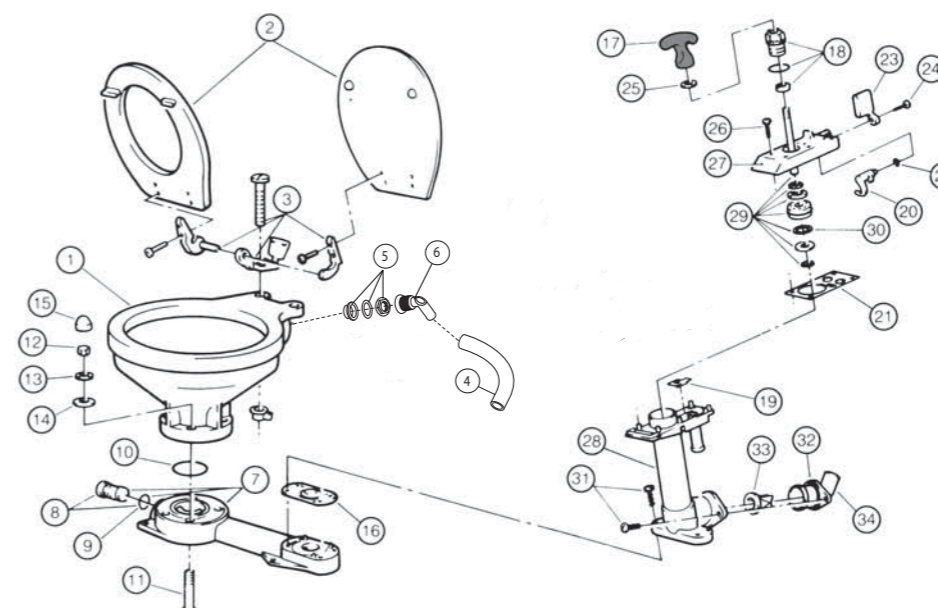
| Optional Extras Available | | | |
|---------------------------|-------------------|--------------|------------|
| Key | Description | Qty Per Pump | Part no |
| 19 | SCREW | 6 | 29289-0000 |
| 20 | NUT | 6 | |
| 21 | NUT | 4 | |
| 22 | BOLT | 4 | |
| 23 | UNDERDECK BRACKET | 1 | 29279-0000 |
| 24 | THROUGH DECK KIT | 1 | |



29090 & 29120 Series PAR Manual Toilets (up to 1997)

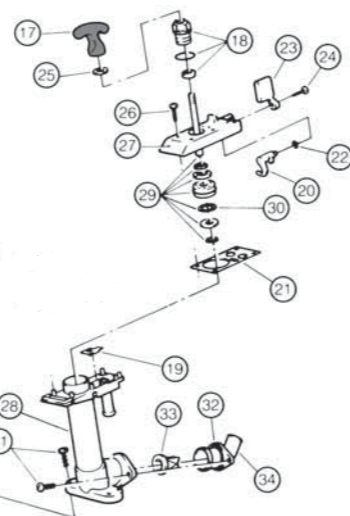
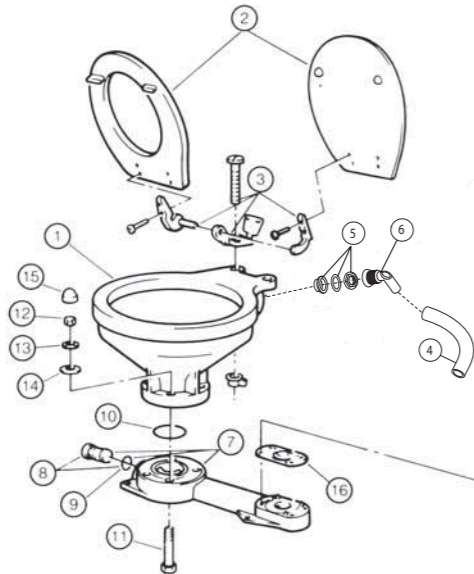
| Key | Description | Qty Per Toilet | Part No | Qty per Repair Kit | | | | |
|-----|--------------------------------------|----------------|------------|--------------------|---|---|---|---|
| | | | | A | B | C | D | E |
| 1 | BOWL COMPACT TOILET | 1 | 29096-0000 | | | | | |
| | BOWL REGULAR TOILET | 1 | 29126-0000 | | | | | |
| 2 | SEAT, LID & HINGE SET COMPACT TOILET | 1 | 29097-1000 | | | | | |
| | REGULAR TOILET | 1 | 29127-1000 | | | | | |
| 3 | HINGE SET (1 PAIR) COMPACT TOILET | 1 | 29098-1000 | | | | | |
| | REGULAR TOILET | 1 | 29098-2000 | | | | | |
| 4 | HOSE COMPACT TOILET | 1 | 29035-1000 | | | | | |
| | HOSE REGULAR TOILET | 1 | 29035-1001 | | | | | |
| 5 | INTAKE SEAL + | 1 | 58107-1000 | | | | | |
| 6 | INTAKE ELBOW | 1 | | | | | | |
| 7 | BASE, PLUG + O-RING ASSY | 1 | 29041-1000 | | | | | |
| 8 | PLUG + O-RING ASSY | 1 | 29028-1000 | | | | | |
| 9 | O-RING (PLUG) | 1 | | | | | | |
| 10 | O-RING (BOWL) | 1 | | | | | | 1 |
| 11 | BOLT | 4 | | | | | | 4 |
| 12 | NUT | 4 | | | | | | 4 |
| 13 | WASHER (S.S.) | 4 | | | | | | 4 |
| 14 | WASHER (NYLON) | 4 | | | | | | 4 |
| 15 | CAP | 4 | | | 2 | | | 4 |
| 16 | BASE VALVE GASKET | 1 | 29043-0000 | 1 | 1 | | 1 | |
| 17 | HANDLE | 1 | | | | 1 | 1 | |
| 18 | SEAL ASSEMBLY | 1 | 29044-0000 | 1 | 1 | 1 | 1 | |
| 19 | TOP VALVE SEAT | 1 | | 1 | 1 | 1 | 1 | |
| 20 | CAM | | | | | 1 | 1 | |
| 21 | TOP VALVE GASKET | 1 | 29042-0000 | 1 | 1 | | | |
| 22 | O-RING (FLUSH LEVER) | 1 | | 1 | 1 | 1 | | |
| 23 | FLUSH CONTROL LEVER | 1 | | | 1 | 1 | | |
| 24 | SCREW (FLUSH LEVER) | 1 | | | 1 | 1 | 1 | |
| 25 | BUFFER | | | | 1 | 1 | | |
| 26 | SCREW (VALVE COVER) | 6 | | 1 | 6 | 6 | 1 | |
| 27 | VALVE COVER | 1 | | | | 1 | 1 | |
| 28 | PUMP CYLINDER | 1 | | | 1 | | | 1 |
| 29 | PISTON, ROD & O-RING ASSY | 1 | 29046-3000 | | 1 | | | |
| 30 | O-RING (PISTON) | 1 | | | 1 | 1 | | |
| 31 | SCREW (PUMP CYLINDER) | 6 | | | 1 | 3 | 3 | |
| 32 | DISCHARGE FLANGE | 1 | 29091-1000 | | 1 | | | 1 |
| 33 | JOKER VALVE | 1 | 29092-1000 | | 1 | 1 | | 1 |
| 34 | DISCHARGE ELBOW | 1 | 29029-1000 | | 1 | | | 1 |

| Repair Kits Available | | |
|-----------------------|------------|---------------------------|
| Kit | Part No | Description |
| A | 29045-0000 | MAJOR SERVICE KIT |
| B | 29040-3000 | PUMP ASSEMBLY |
| C | 29094-3000 | VALVE COVER ASSEMBLY |
| D | 29051-2000 | PUMP CYLINDER ASSEMBLY |
| E | 29047-0000 | BASE TO BOWL MOUNTING KIT |

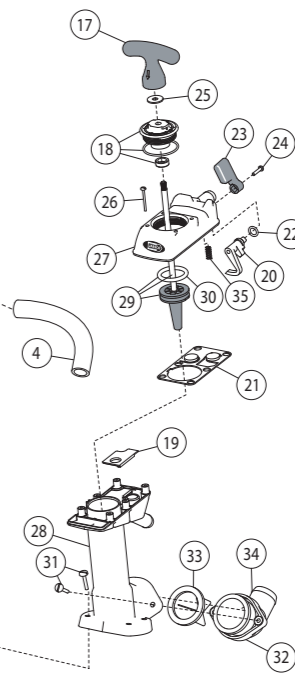
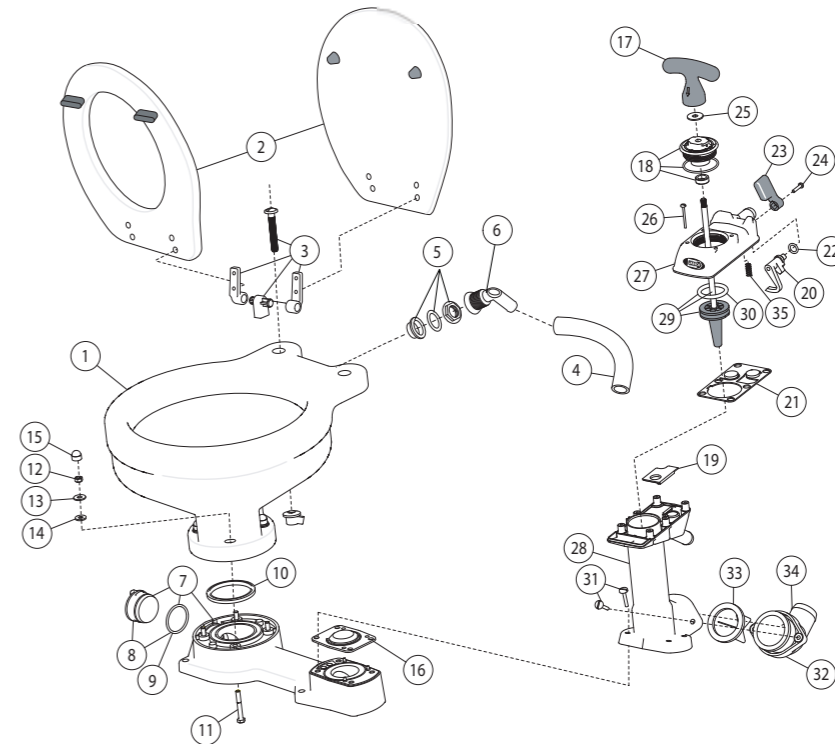


Service Parts

| 29090-2 & 29120-2 Series Jabsco Manual Toilets(1998-2007) | | | | | | | | |
|---|---|----------------|--------------------------|--------------------|---|---|---|---|
| Key | Description | Qty Per Toilet | Part No | Qty per Repair Kit | | | | |
| | | | | A | B | C | D | E |
| 1 | BOWL COMPACT TOILET | 1 | 29096-0000 | | | | | |
| | BOWL REGULAR TOILET | 1 | 29126-0000 | | | | | |
| 2 | SEAT, LID & HINGE SET | 1 | | | | | | |
| | COMPACT TOILET | | 29097-1000 | | | | | |
| | REGULAR TOILET | | 29127-1000 | | | | | |
| 3 | HINGE SET (1 PAIR) | 1 | | | | | | |
| | COMPACT TOILET | | 29098-1000 | | | | | |
| | REGULAR TOILET | | 29098-2000 | | | | | |
| 4 | HOSE COMPACT TOILET | 1 | 29035-1000 | | | | | |
| | HOSE REGULAR TOILET | 1 | 29035-1001 | | | | | |
| 5 | INTAKE SEAL + | 1 | | | | | | |
| 6 | INTAKE ELBOW | 1 | 58107-1000 | | | | | |
| 7 | BASE, PLUG + O-RING ASSY | 1 | 29041-1000 | | | | | |
| 8 | PLUG + O-RING ASSY (UP TO 2002 - SCREW) (FROM 2003 - BAYONET) | 1 | 29028-1000 29028-2000 | | | | | |
| 9 | O-RING (PLUG) | 1 | | | | | | |
| 10 | O-RING (BOWL) | 1 | | | | | | 1 |
| 11 | BOLT (S.S) | 4 | | | | | | 4 |
| 12 | NUT (S.S) | 4 | | | | | | 4 |
| 13 | WASHER (S.S) | 4 | | | | | | 4 |
| 14 | WASHER (NYLON) | 4 | | | | | | 4 |
| 15 | CAP | 4 | | 2 | | | | 4 |
| 16 | BASE VALVE GASKET | 1 | 29043-0000 | 1 | 1 | | | 1 |
| 17 | HANDLE | 1 | | | 1 | 1 | | |
| 18 | SEAL ASSEMBLY | 1 | 29044-2000 | 1 | 1 | 1 | | |
| 19 | TOP VALVE SEAT | 1 | | 1 | 1 | 1 | 1 | |
| 20 | CAM | 1 | | | 1 | 1 | | |
| 21 | TOP VALVE GASKET | 1 | 29042-0000 | 1 | 1 | | | |
| 22 | O-RING (FLUSH LEVER) | 1 | | 1 | 1 | 1 | | |
| 23 | FLUSH CONTROL LEVER | 1 | | | 1 | 1 | | |
| 24 | SCREW (FLUSH LEVER) | 1 | | 1 | 1 | 1 | | |
| 25 | BUFFER | 1 | | 1 | 1 | | | |
| 26 | SCREW (VALVE COVER) | 6 | | 1 | 6 | 6 | 1 | |
| 27 | VALVE COVER | 1 | | | 1 | 1 | | |
| 28 | PUMP CYLINDER | 1 | | | 1 | 1 | | |
| 29 | PISTON, ROD & O-RING ASSY | 1 | 29046-0000 | 1 | | | | |
| 30 | O-RING (PISTON) | 1 | | 1 | 1 | | | |
| 31 | SCREW (PUMP CYLINDER) | 6 | | 1 | 3 | 3 | | |
| 32 | DISCHARGE FLANGE | 1 | 29091-1000 | 1 | 1 | 1 | | |
| 33 | JOKER VALVE | 1 | 29092-1000 | 1 | 1 | 1 | | |
| 34 | DISCHARGE ELBOW | 1 | 29029-1000 | 1 | 1 | 1 | | |
| 35 | VALVE SPRING (ONLY FROM 1998) | 1 | | 1 | 1 | 1 | 1 | |



| 29090-3 & 29120-3 Series Jabsco Twist 'n' Lock Manual Toilets (2008 onwards) | | | | | | | | |
|--|--|----------------|------------|--------------------|---|---|---|---|
| Key | Description | Qty Per Toilet | Part No | Qty per Repair Kit | | | | |
| | | | | A | B | C | D | E |
| 5 | INTAKE SEAL + | 1 | | | | | | |
| 6 | INTAKE ELBOW | 1 | 58107-1000 | | | | | |
| 7 | BASE, PLUG + O-RING ASSY | 1 | 29041-1000 | | | | | |
| 8 | PLUG + O-RING ASSY (FROM 2003 - BAYONET) | 1 | 29028-2000 | | | | | |
| 9 | O-RING (PLUG) | 1 | | | | | | |
| 10 | O-RING (BOWL) | 1 | | | | | | 1 |
| 11 | BOLT (S.S) | 4 | | | | | | 4 |
| 12 | NUT (S.S) | 4 | | | | | | 4 |
| 13 | WASHER (S.S) | 4 | | | | | | 4 |
| 14 | WASHER (NYLON) | 4 | | | | | | 4 |
| 15 | CAP | 4 | | 2 | | | | 4 |
| 16 | BASE VALVE GASKET | 1 | 29043-0000 | 1 | 1 | | | 1 |
| 17 | HANDLE | 1 | | | 1 | 1 | | |
| 18 | SEAL HOUSING ASSY (FROM 2008) | 1 | 29044-3000 | 1 | 1 | 1 | | |
| 19 | TOP VALVE SEAT | 1 | | 1 | 1 | 1 | 1 | |
| 20 | CAM | 1 | | | 1 | 1 | | |
| 21 | TOP VALVE GASKET | 1 | 29042-0000 | 1 | 1 | | | |
| 22 | O-RING (FLUSH LEVER) | 1 | | 1 | 1 | 1 | | |
| 23 | FLUSH CONTROL LEVER | 1 | | | 1 | 1 | | |
| 24 | SCREW (FLUSH LEVER) | 1 | | 1 | 1 | 1 | | |
| 25 | BUFFER | 1 | | 1 | 1 | | | |
| 26 | SCREW (VALVE COVER) | 6 | | 1 | 6 | 6 | 1 | |
| 27 | VALVE COVER | 1 | | | 1 | 1 | | |
| 28 | PUMP CYLINDER | 1 | | | 1 | 1 | | |
| 29 | PISTON, ROD & O-RING ASSY | 1 | 29046-3000 | 1 | 1 | | | |
| 30 | O-RING (PISTON) | 1 | | 1 | 1 | | | |
| 31 | SCREW (PUMP CYLINDER) | 6 | | 1 | 3 | 3 | | |
| 32 | DISCHARGE FLANGE | 1 | 29091-1000 | 1 | 1 | 1 | | |
| 33 | JOKER VALVE | 1 | 29092-1000 | 1 | 1 | 1 | | |
| 34 | DISCHARGE ELBOW | 1 | 29029-1000 | 1 | 1 | 1 | | |
| 35 | VALVE SPRING (ONLY FROM 1998) | 1 | | 1 | 1 | 1 | 1 | |



Electric Conversion for Manual Toilets

Electric Toilets

Service Parts

Service Parts

| 29200 Series Electric Conversion for Manual Toilets | | | | | | |
|---|-----------------------------|--------------------|------------|--------------------|---|---|
| Key | Description | Qty per Conversion | Part No | Qty per Repair Kit | | |
| | | | | A | B | C |
| 1 | SLINGER (LARGE) | 1 | | | | |
| 2 | MOTOR ASSEMBLY 12V | 1 | 29108-0120 | | | |
| | MOTOR ASSEMBLY 24V | 1 | 29108-0240 | | | |
| 3 | SLINGER (SMALL) | 1 | | 1 | | |
| 4 | SEAL | 2 | | 2 | 2 | 2 |
| 5 | WASTE PUMP BODY | 1 | | | | 1 |
| 6 | IMPELLER | 2 | | 2 | | |
| 7 | GASKET (PAPER) | 2 | | 2 | 2 | 2 |
| 8 | WEARPLATE (STAINLESS STEEL) | 1 | | | 1 | |
| 9 | CHOPPER PLATE | 1 | 37056-1000 | | | |
| 10 | LOCK NUT | | | | | |
| 11 | MOUNTING SCREW (PAR) | | | 1 | | 1 |
| 12 | BASE GASKET (RUBBER) | 1 | 29072-1000 | | | |
| 13 | SCREW (WASTE PUMP) | 4 | | | 4 | |
| 14 | O-RING | 1 | | 1 | | 1 |
| 15 | MACERATOR HOUSING | 1 | 29071-1000 | | | |
| 16 | SCREW (CONTROL KNOB) | 1 | | 1 | 1 | 1 |
| 17 | CONTROL KNOB | 1 | 29077-1000 | | | |
| 18 | SCREW (FLUSH PUMP COVER) | 7 | | 1 | 7 | 1 |
| 19 | FLUSH PUMP COVER ASSY | 1 | 29081-1000 | | | |
| 20 | FLUSH PUMP GASKET (CORK) | 1 | 29075-1000 | 1 | | 1 |
| 21 | CONTROL VALVE ASSY | 1 | 29083-1000 | | | |
| 22 | WEARPLATE (BRASS) | 1 | | | 1 | |
| 23 | SCREW (FLUSH PUMP) | 2 | | 1 | 2 | 1 |
| 24 | FLUSH PUMP BODY | 1 | | | | 1 |
| 25 | SWITCH ASSY | 1 | 29103-1000 | 1 | | |
| 26 | SWITCH SPRING | 1 | | | | 1 |
| 27 | HOSE (ALL TOILETS) | 1 | 29035-1000 | | | |
| 28 | CABLE ASSY (WITHOUT FUSE) | 1 | 29106-1000 | | | |
| 29 | JOKER VALVE | 1 | 29092-1000 | | | |
| 30 | BLEED HOSE | 1 | 29019-1010 | 1 | | 1 |
| 31 | PUMPGARD™ | 1 | 46400-0000 | | | |
| 32 | DISCHARGE FLANGE | 1 | 29091-1000 | | | |
| 33 | DISCHARGE ELBOW | 1 | 29029-1000 | | | |

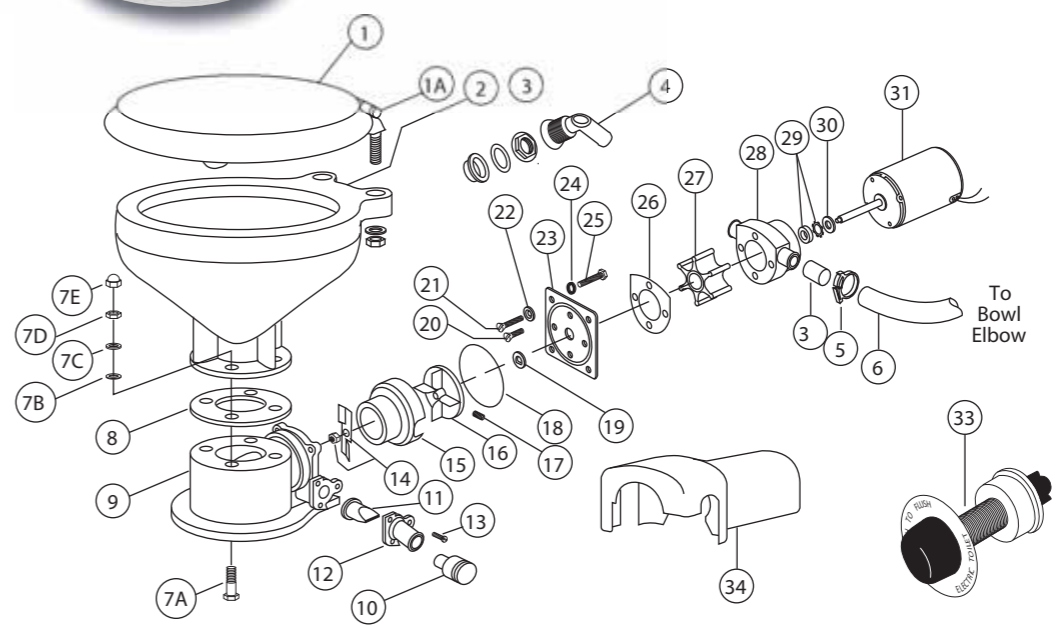
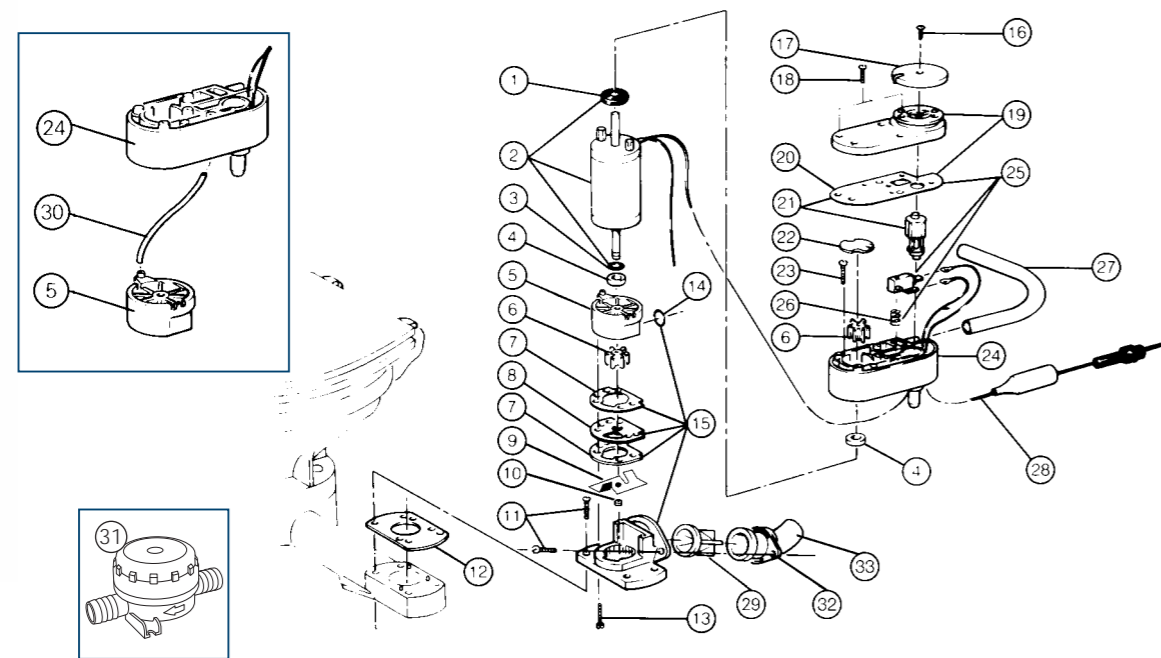
| Repair Kits Available | | |
|-----------------------|------------|---------------------------|
| Kit | Part No | Description |
| A | 29101-0000 | SERVICE KIT |
| B | 29109-0000 | HARDWARE KIT |
| C | 29116-1000 | WASTE & FLUSH PUMP BODIES |



| 37010 Series Electric Toilets | | | | |
|-------------------------------|---------------------------------|----------------|------------|--|
| Key | Description | Qty per Toilet | Part No | |
| 1 | Seat & Cover, Compact Size | 1 | 29097-1000 | |
| | Seat & Cover, Regular Size | 1 | 29127-1000 | |
| 1A | Hinge Set (1 pair) | 1 | | |
| | Compact Toilet | | 29098-1000 | |
| | Regular Toilet | | 29098-2000 | |
| 2 | Bowl, Compact Size | 1 | 29096-0000 | |
| | Bowl, Regular Size | 1 | 29126-0000 | |
| 3&4 | Bowl Spud & Intake | 1 | 58107-1000 | |
| | Elbow & O-ring | | | |
| 5 | Hose Clip | 1 | | |
| 6 | Hose | 1 | 29035-1001 | |
| 7 | Bowl Installation Hardware | 1 | 18753-0637 | |
| | 7A Philips Head Screw** | 4 | | |
| | 7B Washer, Starlock** | 4 | | |
| | 7C Hex Nut** (two places) | 4 | | |
| | 7D Washer, Plastic** | 4 | | |
| | 7E Washer Stainless steel** | 8 | | |
| | 7F Nut Cap** | 4 | | |
| 8 | O-Ring Bowl/Seal | 1 | 44101-1000 | |
| 9 | Base Assembly** | 1 | 37004-1000 | |
| 10 | 1"-1/2" Hose Adaptor | 1 | 98023-0080 | |
| 11 | Joker Valve** | 1 | 44106-1000 | |
| 12 | 1" Discharge Port** | 1 | 44107-1000 | |
| 13 | Screw** | 3 | 96050-0568 | |
| 14 | Chopper Plate† with Lock Nut | 1 | 37056-1000 | |
| 15 | Macerator Housing† | 1 | 37014-0000 | |
| 16 | Centrifugal Impeller† | 1 | 37006-0000 | |
| 17 | Set Screw† | 1 | 91084-0320 | |
| 18 | O-ring*† | 1 | 43990-0066 | |
| 19 | Sealing Sleeve† | 1 | 37036-1000 | |
| 20 | Screw† | 2 | 91009-0096 | |
| 21 | Screw† | 2 | 91010-0130 | |
| 22 | Washer, Plastic*† | 2 | 35445-0000 | |
| 23 | Wearplate†† | 1 | 37018-0000 | |
| 24 | Lock Washer #10, Stainless Kit† | 4 | | |
| 25 | Screw† | 4 | 91027-0011 | |
| 26 | Gasket*† | 1 | 12558-0000 | |
| 27 | Flexible Impeller*† | 1 | 6303-0003 | |
| 28 | Body† | 1 | 12554-0000 | |
| 29 | Seal & Retainer*† | 1 | 1040-0000 | |
| 30 | Slinger† | 1 | 6342-0000 | |
| 31 | Motors: | | | |
| | Motor - 12 Volt† | 1 | 37064-0000 | |
| | Motor - 24 Volt† | 1 | 37065-0000 | |
| 32 | Adaptor | 2 | 93003-0240 | |
| 33 | Switch and Plate | 1 | 37020-0000 | |
| 34 | Motor Cover† | 1 | 43990-0051 | |
| 35 | Screw Cover (3 each) | 1 | 37003-1000 | |
| | Service Kit: | | | |
| | Motor/Pump Assy. 12V† | | 37041-0010 | |
| | Motor/Pump Assy. 24V† | | 37041-0011 | |



* Parts supplied with Service Kit 37040-0000.
 ** Parts included with base 37004-1000.
 † Wearplate #23 includes Sealing Sleeve #19 and Pump/Base O-ring #18.
 ‡ Parts included in Motor-Pump Assembly.



Quiet Flush Electric Toilets

Designer Style Electric Toilets

Service Parts

Service Parts

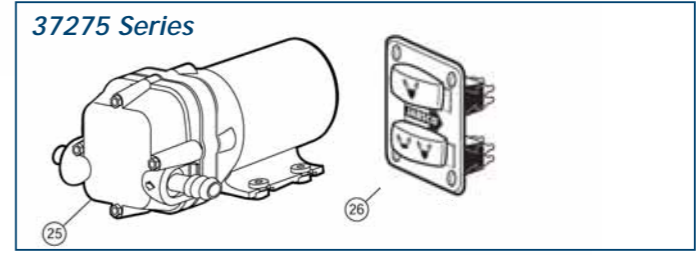
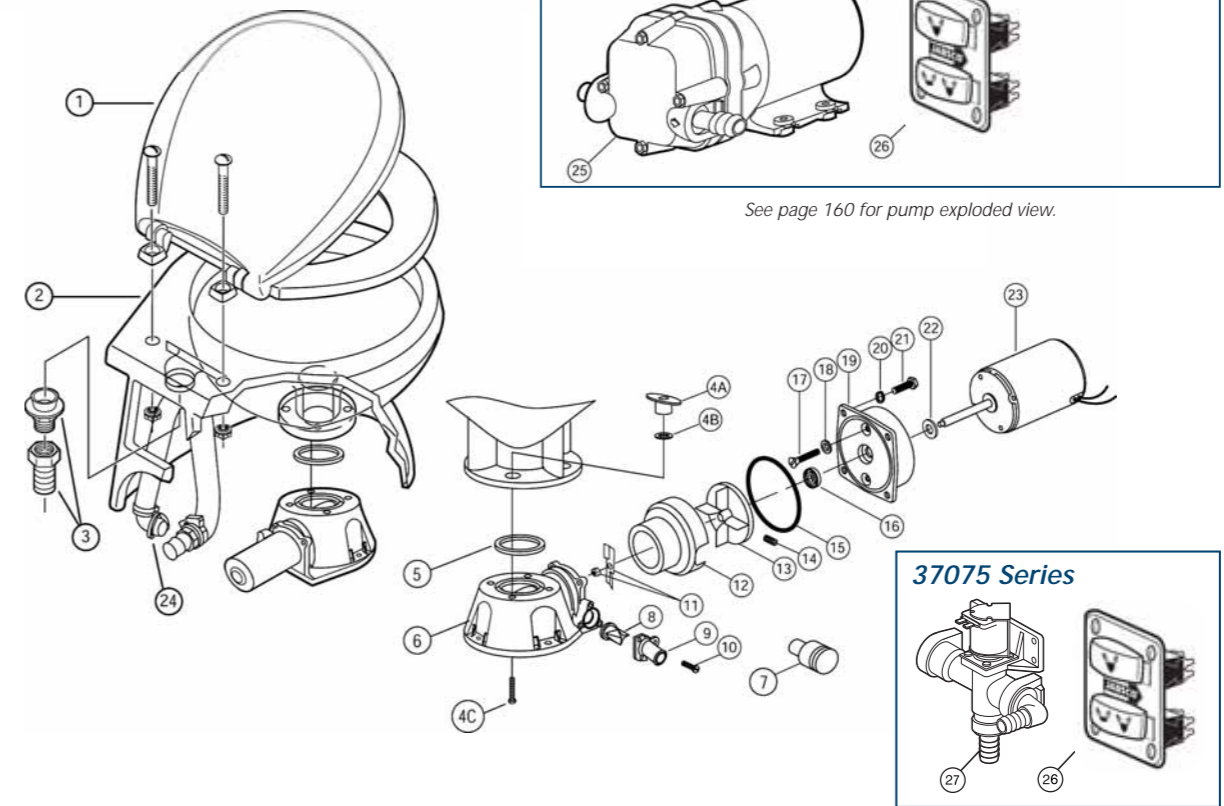
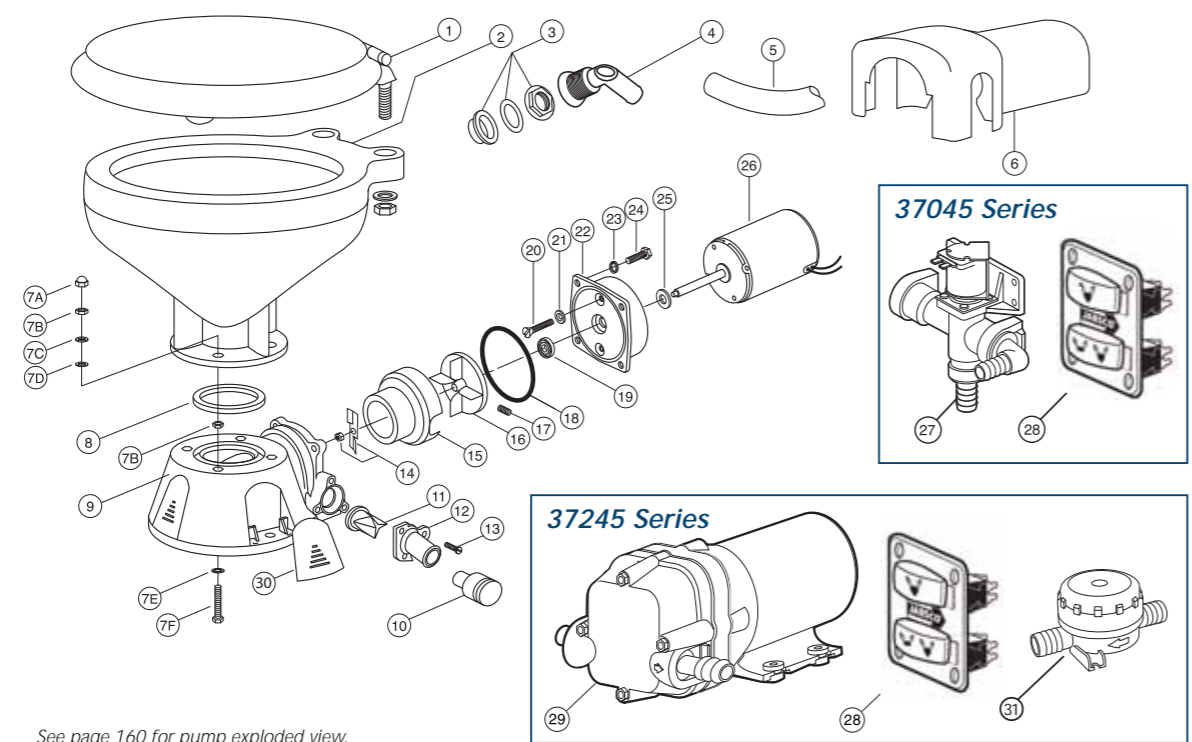
| 37045 & 37245 Series Quiet Flush Toilets | | | | | | | |
|--|------------------------------|----------------|------------|-----|---------------------------------|----------------|------------|
| Key | Description | Qty per Toilet | Part No | Key | Description | Qty per Toilet | Part No |
| 1 | SEAT & COVER, COMPACT SIZE | 1 | 29097-1000 | 8 | O-RING* | 1 | 44101-1000 |
| | SEAT & COVER, REGULAR SIZE | 1 | 29127-1000 | 9 | BASE ASSEMBLY** | 1 | 37004-1000 |
| 1A | HINGE SET (1 PAIR) | 1 | | 10 | 1"- 1/2" HOSE ADAPTOR | 1 | 98023-0080 |
| | COMPACT TOILET | | 29098-1000 | 11 | JOKER VALVE*** | 1 | 44106-1000 |
| | REGULAR TOILET | | 29098-2000 | 12 | 1"- 1/2" HOSE ADAPTOR | 1 | 44107-1000 |
| 2 | BOWL, COMPACT SIZE | 1 | 29096-0000 | 13 | SCREW** | 3 | 96050-0568 |
| | BOWL, REGULAR SIZE | 1 | 29126-0000 | 14 | CHOPPER PLATE WITH LOCK NUT | 1 | 37056-1000 |
| 3 | INTAKE SEAL | 1 | 58107-1000 | 15 | MACERATOR HOUSING | 1 | 37014-0000 |
| 4 | INTAKE ELBOW & O-RING | 1 | 58107-1000 | 16 | CENTRIFUGAL IMPELLER | 1 | 37006-0000 |
| 5 | HOSE, 6 FEET | 1 | 29035-1031 | 17 | SET SCREW | 1 | 91084-0320 |
| 6 | MOTOR COVER | 1 | 37042-1000 | 18 | O-RING* | 1 | 43990-0066 |
| 7 | BOWL INSTALLATION HARDWARE | 1 | 18753-0637 | 19 | SEAL | 1 | 1040-0000 |
| | 7A NUT CAP** | 4 | | 20 | SCREW | 2 | |
| | 7B HEX NUT** | 4 | | 21 | WASHER, PLASTIC* | 2 | 35445-0000 |
| | 7C WASHER, STAINLESS STEEL** | 4 | | 22 | SEAL HOUSING | 1 | 37043-1000 |
| | 7D WASHER, PLASTIC** | 4 | | 23 | LOCK WASHER, STAINLESS STEEL | 4 | |
| | 7E HEX HEAD SCREW** | 4 | | 24 | SCREW | 4 | 91027-0011 |
| | | | | 25 | SLINGER | 1 | 6342-0000 |
| | | | | 26 | MOTOR - 12 VOLT | 1 | 18753-0554 |
| | | | | | MOTOR - 24 VOLT | 1 | 18753-0555 |
| | | | | 27 | SOLENOID VALVE & SYPHON BREAKER | | |
| | | | | | 12 VOLT | 1 | 37038-1012 |
| | | | | | 24 VOLT | 1 | 37038-1024 |
| | | | | 28 | SWITCH PANEL | 1 | 37047-2000 |
| | | | | 29 | RINSE PUMP 12 VOLT | 1 | 31631-0092 |
| | | | | | RINSE PUMP 24 VOLT | 1 | 31631-0094 |
| | | | | 30 | SCREW COVER (3 EACH) | 1 | 37003-1000 |
| | | | | 31 | PUMPGARD | 1 | 46400-0000 |
| | | | | | SERVICE KIT | | 90197-0000 |
| | | | | | MOTOR & WASTE PUMP ASSY 12V | 1 | 37072-0092 |
| | | | | | MOTOR & WASTE PUMP ASSY 24V | 1 | 37072-0094 |

| 37275 & 37075 Series Designer Style Electric Toilets | | | | | | | |
|--|--------------------------------|----------------|------------|-----|----------------------------------|----------------|------------|
| Key | Description | Qty per Toilet | Part No | Key | Description | Qty per Toilet | Part No |
| 1 | Seat and Cover | 1 | 37078-1000 | 10 | Screw** | 3 | 96050-0568 |
| 2 | Bowl, Compact Size, White | 1 | 37076-0010 | 11 | Chopper Plate with Lock Nut | 1 | 37056-1000 |
| 3 | Bowl Spud and " barbed adaptor | 1 | 18753-0609 | 12 | Macerator Housing | 1 | 37014-0000 |
| 4 | Bowl Installation Hardware | 1 | 18753-0604 | 13 | Centrifugal Impeller | 1 | 37006-0000 |
| 4A | Tee Nut** | 4 | | 14 | Set Screw | 1 | 91084-0320 |
| 4B | Washer, Plastic** | 4 | | 15 | O-ring* | 1 | 43990-0066 |
| 4C | Socket Head Screw ** | 4 | | 16 | Seal | 1 | 1040-0000 |
| 5 | Gasket* | 1 | 37017-0000 | 17 | Screw | 2 | |
| 6 | Base Assembly** | 1 | 37004-1000 | 18 | Washer, Fibre* | 2 | 35445-0000 |
| 7 | 1"- 1 1/2" Hose Adaptor | 1 | 98023-0080 | 19 | Seal Housing | 1 | 37043-1000 |
| 8 | Joker Valve* ** | 1 | 44016-1000 | 20 | Lock Washer #10, Stainless Steel | 4 | |
| 9 | 1" Discharge Port** | 1 | 37077-1000 | 21 | Screw | 4 | 91027-0011 |
| | | | | 22 | Slinger | 1 | 6342-0000 |
| | | | | 23 | Motor - 12 Volt | 1 | 18753-0554 |
| | | | | | Motor - 24 Volt | 1 | 18753-0555 |
| | | | | 24 | Evacuation Hose Kit | 1 | 37087-0000 |
| | | | | 25 | Rinse Pump | | |
| | | | | | 12 Volt EMC | 1 | 31631-0092 |
| | | | | | 24 Volt EMC | 1 | 31631-0094 |
| | | | | 26 | Switch Panel | 1 | 37047-2000 |
| | | | | | Service Kit | 1 | 90197-0000 |
| | | | | | Motor & Waste Pump Assembly | | |
| | | | | | 12 Volt | 1 | 37072-0092 |
| | | | | | 24 Volt | 1 | 37072-0094 |
| | | | | 27 | Solenoid Valve & Syphon Breaker | | |
| | | | | | 12 Volt | 1 | 37038-1012 |
| | | | | | 24 Volt | 1 | 37038-1024 |
| | | | | 28 | Pumpgard | 1 | 46400-0000 |



*Parts Supplied with Service Kit. **Parts included with base 37004-1000.

*Parts supplied with Service Kit. **Parts included with base 37004-1000.



See page 160 for pump exploded view.

Deluxe Flush 14" and 17" Electric Toilets

Deluxe Flush 17" Electric Toilets *Until 2009



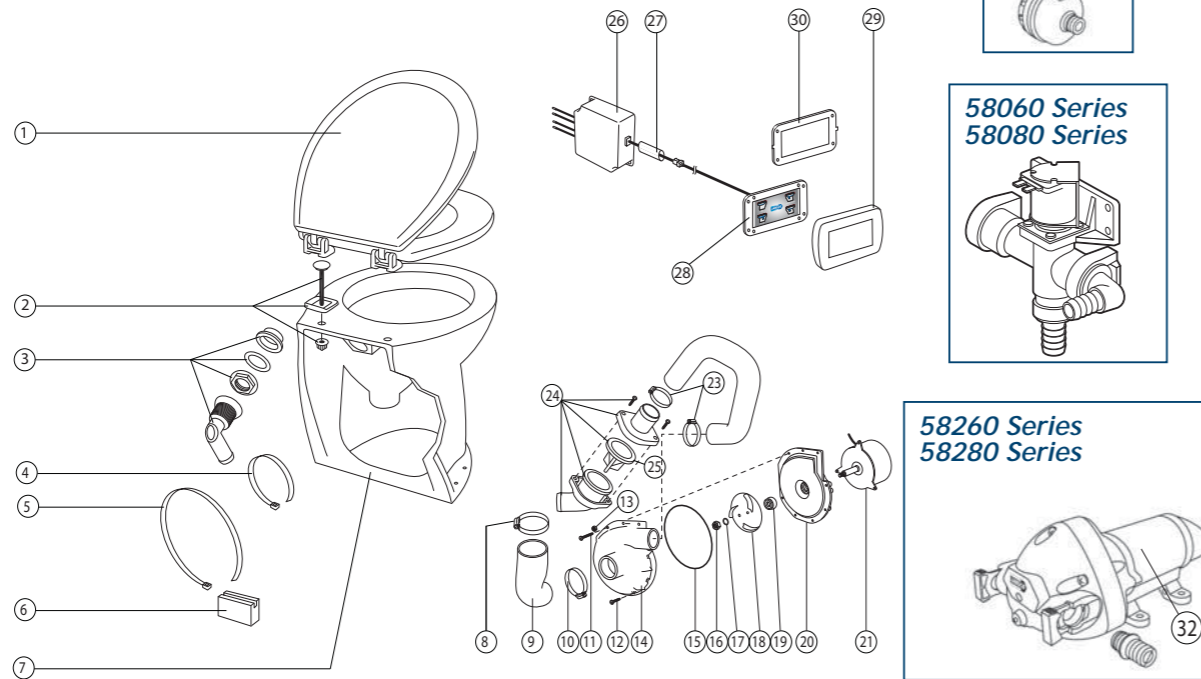
Service Parts

Service Parts

| 58060, 58260, 58080, 58280 Deluxe Flush 14" Toilets | | | | | | |
|---|-----------------------------------|----------------|------------|---------------------|---|---|
| Key | Description | Qty per toilet | Part No | Qty per Service Kit | | |
| | | | | A | B | C |
| 1 | SEAT & LID SET | 1 | 58104-1000 | | | |
| 2 | HINGE KIT, PAIR | 1 | 58105-1000 | | | |
| 3 | RINSE INTAKE SEAL & ELBOW | 1 | 58107-1000 | | | |
| 4 | SUPPORT STRAP, DISCHARGE HOLE | 1 | SEE KITS | 1 | 1 | |
| 5 | SUPPORT STRAP, MOTOR | 1 | SEE KITS | 1 | 1 | |
| 6 | SUPPORT BLOCK, MOTOR | 1 | SEE KITS | 1 | 1 | |
| 7 | 14" BOWL, ANGLED BACK | 1 | 58048-1000 | | | |
| | 14" BOWL, VERTICAL BACK | 1 | 58068-1000 | | | |
| | 17" BOWL, ANGLED BACK | 1 | 58028-1000 | | | |
| | 17" BOWL, VERTICAL BACK | 1 | 58038-1000 | | | |
| 8 | HOSE CLIP LARGE | 1 | SEE KITS | 1 | 1 | |
| 9 | INLET HOSE, FLUSH PUMP | 1 | SEE KITS | 1 | 1 | |
| 10 | HOSE CLIP, MEDIUM | 1 | SEE KITS | 1 | 1 | |
| 11 | SCREW, LONG | 4 | SEE KITS | 1 | 4 | |
| 12 | SCREW, SHORT | 3 | SEE KITS | 1 | 3 | |
| 13 | NUT | 7 | SEE KITS | 2 | 7 | |
| 14 | PUMP BODY, UPPER | 1 | SEE KITS | | 1 | |
| 15 | RING SEAL | 1 | SEE KITS | 1 | 1 | |
| 16 | NUT | 1 | SEE KITS | 1 | 1 | |
| 17 | WASHER | 1 | SEE KITS | 1 | 1 | |
| 18 | IMPELLER | 1 | SEE KITS | | 1 | |
| 19 | CERAMIC SEAL | 1 | SEE KITS | 1 | 1 | |
| 20 | PUMP BODY, LOWER | 1 | SEE KITS | | 1 | |
| 21 | MOTOR 12v | 1 | SEE KITS | | 1 | |
| | MOTOR 24v | 1 | SEE KITS | | 1 | |
| 22 | OUTLET HOSE, PUMP | 1 | SEE KITS | 1 | 1 | |
| 23 | CLIP, SMALL | 2 | SEE KITS | 2 | 2 | |
| 24 | NON-RETURN VALVE ASSEMBLY | 1 | 58109-1000 | | | |
| 25 | JOKER VALVE | 1 | 29092-1000 | | | |
| 26 | CONTROL BOX - ELECTRONICS | 1 | SEE KITS | | | 1 |
| 27 | HEAT SHRINK SLEEVE, CONTROL CABLE | 1 | SEE KITS | | | 1 |
| 28 | PANEL | 1 | SEE KITS | | | 1 |
| 29 | JABSCO WHITE FASCIA PANEL | 1 | SEE KITS | | | 1 |
| 30 | ADAPTER PLATE | 1 | SEE KITS | | | 1 |

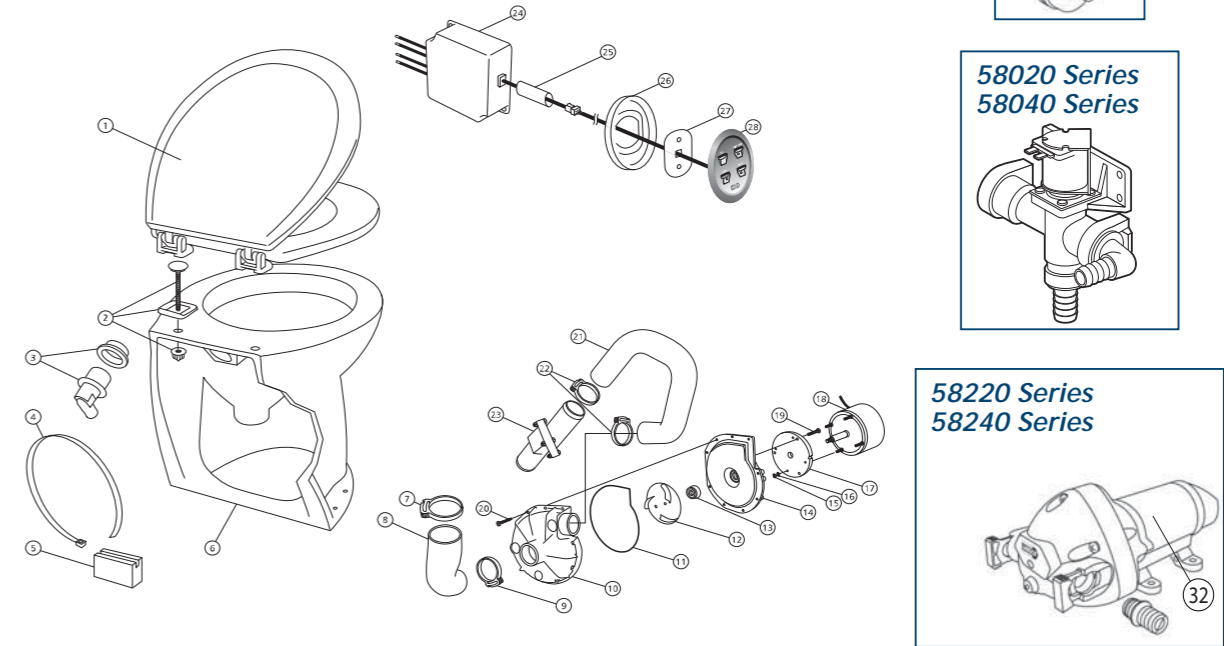
| Key | Description | Qty per toilet | Part No | Qty per Service Kit | | |
|-----|---------------------|----------------|------------|---------------------|---|---|
| | | | | A | B | C |
| 31 | SOLENOID VALVE, 12v | 1 | 37038-1012 | | | |
| | SOLENOID VALVE, 24v | 1 | 37038-1024 | | | |
| 32 | RINSE PUMP 12v | 1 | 31331-0092 | | | |
| | RINSE PUMP 24v | 1 | 31331-0094 | | | |
| 33 | PUMP GUARD | 1 | 46400-9500 | | | |

| Service Kits Available | | |
|------------------------|------------|--------------------|
| Kit | Part No | Description |
| A | 58100-2000 | MAJOR SERVICE KIT |
| B | 58103-1012 | PUMP ASSEMBLY, 12v |
| | 58103-1024 | PUMP ASSEMBLY, 24v |
| C | 58029-1000 | CONTROL KIT |



| 58020, 58220, 58040, 58240 Deluxe Flush 17" Toilets | | | | | | |
|---|-----------------------------------|----------------|------------|--------------------|---|---|
| Key | Description | Qty per toilet | Part No | Qty per Repair Kit | | |
| | | | | A | B | C |
| 1 | SEAT & LID, SET | 1 | 58104-1000 | | | |
| 2 | HINGE KIT, PAIR | 1 | 58105-1000 | | | |
| 3 | RINSE INTAKE SEAL & ELBOW | 1 | 58107-1000 | 1 | | |
| 4 | SUPPORT STRAP, DISCHARGE HOSE | 1 | SEE KITS | 1 | 1 | |
| 5 | SUPPORT STRAP, MOTOR | 1 | SEE KITS | 1 | 1 | |
| 6 | SUPPORT BLOCK, MOTOR | 1 | SEE KITS | | 1 | |
| 7 | BOWL, ANGLED BACK | 1 | 58028-1000 | | | |
| | BOWL, VERTICAL BACK | 1 | 58038-1000 | | | |
| 8 | HOSE, LARGE | 1 | SEE KITS | 1 | 1 | |
| 9 | INLET HOSE, FLUSH PUMP | 1 | SEE KITS | 1 | 1 | |
| 10 | HOSE CLIP, MEDIUM | 1 | SEE KITS | 1 | 1 | |
| 11 | SCREW, LONG | 4 | SEE KITS | 1 | 4 | |
| 12 | SCREW, SHORT | 3 | SEE KITS | 1 | 3 | |
| 13 | NUT | 7 | SEE KITS | 2 | 7 | |
| 14 | PUMP BODY, UPPER | 1 | SEE KITS | | 1 | |
| 15 | RING SEAL | 1 | SEE KITS | 1 | 1 | |
| 16 | NUT | 1 | SEE KITS | 1 | 1 | |
| 17 | WASHER | 1 | SEE KITS | 1 | 1 | |
| 18 | IMPELLER | 1 | SEE KITS | | 1 | |
| 19 | CERAMIC SEAL | 1 | SEE KITS | 1 | 1 | |
| 20 | PUMP BODY, LOWER | 1 | SEE KITS | | 1 | |
| 21 | MOTOR 12V | 1 | SEE KITS | | 1 | |
| | MOTOR 24V | 1 | SEE KITS | | 1 | |
| 22 | OUTLET HOSE, PUMP | 1 | SEE KITS | 1 | 1 | |
| 23 | CLIP, SMALL | 2 | SEE KITS | 2 | 2 | |
| 24 | NON - RETURN VALVE ASSEMBLY | 1 | 58109-1000 | | | |
| 25 | JOKER VALVE | 1 | 29092-1000 | | | |
| 26 | CONTROL BOX, ELECTRONICS | 1 | SEE KITS | | | 1 |
| 27 | HEAT SHRINK SLEEVE, CONTROL CABLE | 1 | SEE KITS | | | 1 |
| 28 | PANEL | 1 | SEE KITS | | | 1 |
| 29 | JABSCO WHITE FASCIA PANEL | 1 | SEE KITS | | | 1 |
| 30 | ADAPTOR PLATE | 1 | SEE KITS | | | 1 |
| 31 | SOLENOID VALVE, 12V | 1 | 37038-1012 | | | |
| | SOLENOID VALVE, 24V | 1 | 37038-1024 | | | |
| 32 | RINSE PUMP, 12V | 1 | 31331-0092 | | | |
| | RINSE PUMP, 24V | 1 | 31331-0094 | | | |
| 33 | PUMP GUARD | 1 | 46400-9500 | | | |

| Repair Kits Available | | |
|-----------------------|------------|--------------------|
| Kit | Part No | Description |
| A | 58100-2000 | MAJOR SERVICE KIT |
| B | 58103-1012 | PUMP ASSEMBLY, 12V |
| | 58130-1024 | PUMP ASSEMBLY, 24V |
| C | 58029-1000 | CONTROL KIT |

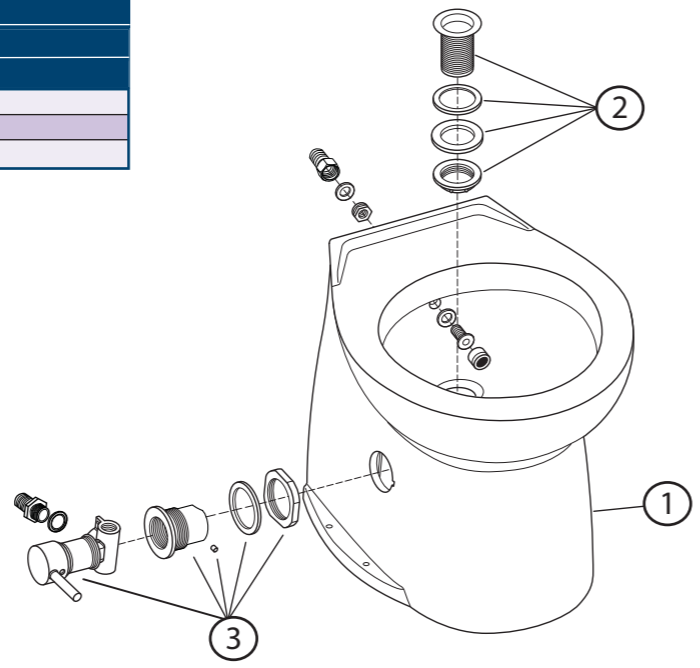


Deluxe Flush Bidet

Lite Flush Electric Toilets

Service Parts

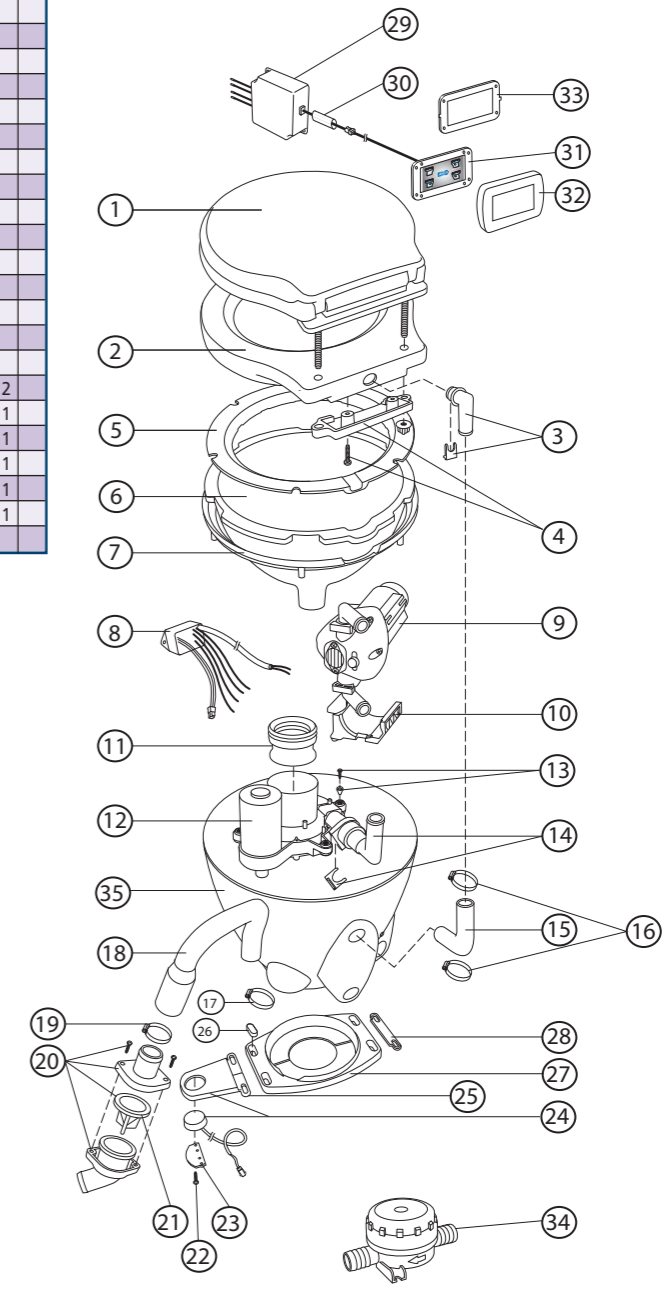
| Deluxe Flush Bidet | | |
|------------------------|------------|-------------------------------|
| Service Kits Available | | |
| Kit | Part No | Description |
| 1 | 58098-1000 | "Ceramic Bowl, Vertical Back" |
| 2 | 58095-1000 | Waste Fitting |
| 3 | 58112-1000 | Mixer Valve |



58500 Series Lite Flush Toilets

| Key | Description | Qty Per Toilet | Part No | Qty per Repair Kit | | | | |
|-----|---------------------------|----------------|-------------|--------------------|---|---|---|-----|
| | | | | A | B | C | D | E |
| 1 | SEAT AND LID | 1 | 58530-1000B | | | | | |
| 2 | TOP | 1 | | | | | | |
| 3 | INTAKE ELBOW AND CLIP | 1 | | | | | | |
| 4 | SEAT AND LID CLAMP KIT | 1 | | | | | | |
| 5 | TOP BOWL SEAL | 1 | 58514-1000 | | | | | |
| 6 | CERAMIC BOWL | 1 | | | | | | |
| 7 | CLAMP RING | 1 | | | | | | |
| 8 | CONTROL BOX (FOOTSWITCH) | 1 | SEE KITS | | | | | 1 |
| 9 | RINSE PUMP 12V | 1 | 31331-0092 | | | | | |
| | RINSE PUMP 24V | 1 | 31331-0094 | | | | | |
| 10 | RINSE PUMP BRACKET | 1 | | | | | | |
| 11 | BOWL OUTLET SEAL | 1 | SEE KITS | | | | | 1 |
| 12 | PUMP ASSEMBY 12V | 1 | SEE KITS | | | | | 1 |
| | PUMP ASSEMBY 24V | 1 | SEE KITS | | | | | |
| 13 | PUMP ASSY FIXINGS | 4 | SEE KITS | | | | | 1 |
| 14 | DISCHARGE ELBOW AND CLIP | 1 | SEE KITS | | | | | 1 |
| 15 | INLET HOSE | 1 | SEE KITS | | | | | 1 |
| 16 | SMALL HOSE CLIP | 2 | | | | | | |
| 17 | MEDIUM HOSE CLIP | 1 | | | | | | |
| 18 | OUTLET HOSE | 1 | SEE KITS | | | | | 1 |
| 19 | LARGE HOSE CLIP | 1 | | | | | | |
| 20 | NON RETURN VALVE ASSEMBLY | 1 | 58109-1000 | | | | | |
| 21 | JOKER VALVE | 1 | 29092-1000 | | | | | |
| 22 | SCREW, FOOTSWITCH | 2 | | | | | | |
| 23 | SWITCH SUPPORT | 1 | | | | | | |
| 24 | FOOTSWITCH | 1 | SEE KITS | | | | | 1 |
| 25 | SWITCH MOUNT | 1 | | | | | | |
| 26 | SCREW COVERS | 4 | | | | | | |
| 27 | BASE | 1 | | | | | | |
| 28 | FOOT PANEL BLANK | 1 | SEE KITS | | | | | 1 2 |
| 29 | CONTROL BOX | 1 | SEE KITS | | | | | 1 |
| 30 | HEAT SHRINK SLEEVE | 1 | SEE KITS | | | | | 1 |
| 31 | PANEL | 1 | SEE KITS | | | | | 1 |
| 32 | JABSCO WHITE FASCIA PANEL | 1 | SEE KITS | | | | | 1 |
| 33 | ADAPTOR PLATE | 1 | SEE KITS | | | | | 1 |
| 34 | PUMPGARD | 1 | 46400-0000 | | | | | |

| Repair Kits Available | | |
|-----------------------|------------|--------------------------|
| Kit | Part No | Description |
| A | 58550-1000 | HOSE KIT |
| B | 58540-1012 | PUMP ASSEMBLY KIT 12V |
| | 58540-1024 | PUMP ASSEMBLY KIT 24V |
| C | 58555-1000 | CONTROL KIT (FOOTSWITCH) |
| D | 58029-1000 | CONTROL KIT (PANEL) |



Service Parts

18590 Series Run-Dry Macerator Pump

Replacement Bulb Guide

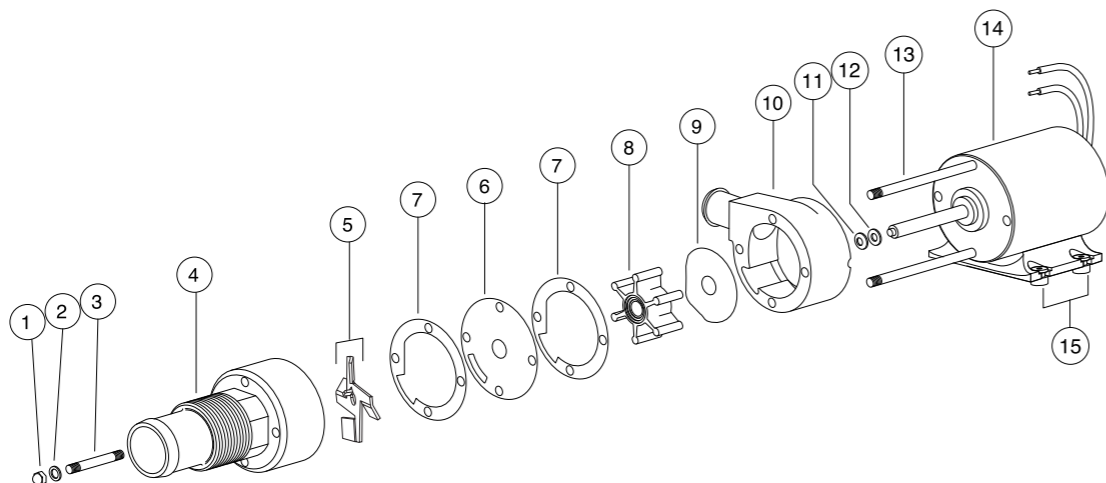


Service Parts

| 18590 Series Run-Dry Macerator Pump | | | |
|-------------------------------------|---------------------------|-----|-------------|
| Key | Description | Qty | Part No |
| 1 | ACORN NUT | 4 | 91085-0340 |
| 2 | FIBER WASHER* | 4 | SP1613-0140 |
| 3 | STUD* | 2 | 17288-0010 |
| 4 | MACERATOR HOUSING | 1 | 18594-1000 |
| 5 | CHOPPER BLADE KIT | 1 | 37056-2000 |
| 6 | WEARPLATE, LARGE | 1 | 18597-1000 |
| 7 | GASKETS (2 EACH PER KIT)* | 1 | 18596-1000 |
| 8 | IMPELLER* | 1 | 6303-0003 |
| 9 | WEARPLATE, SMALL | 1 | 12316-1002 |
| 10 | BODY* | 1 | 18593-1000 |
| 11 | SEAL* | 1 | 1040-0000 |
| 12 | SLINGER | 1 | 6342-0000 |
| 13 | STUD | 2 | 17288-0000 |
| 14 | MOTOR 12 VOLT | 1 | 17246-1012 |
| | MOTOR 24 VOLT | 1 | 17246-1024 |
| 15 | GROMMETS (SET OF 4) | 1 | 92900-0120 |
| | SERVICE KIT | 1 | 18598-1000 |



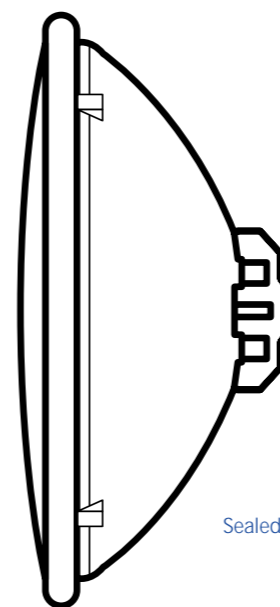
* Parts supplied with service kit



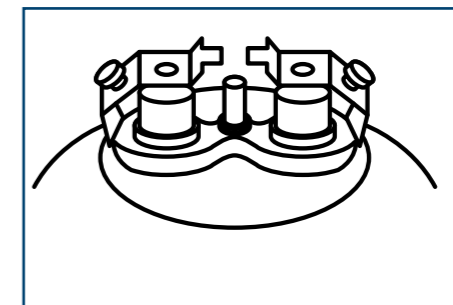
| Chrome Remote Control Searchlights | | | | | |
|--|----------------------|-------|---------|---------------------------|-----------------------|
| Dia-meter "/mm | Searchlight Model | Volts | Watts | Candle Power x 1000 | Sealed Beam Number |
| SEALED BEAMS FOR CURRENT SERIES | | | | | |
| 5" | 61022, 62022-Series | 12 | 100 | 100/50 | 67296-0000 |
| 130 | 61026, 62026-Series | | | | |
| 6" | 63020, 63022-Series | 12/24 | 100 | 200/50 | 64046-0006 |
| 150 | | | | | |
| 7" | 61040, 62040-Series | 12 | 100/100 | 200/50 | 67262-0000 |
| 180 | | 24 | 170 | 230 | 18753-0447 |
| 8" | 61042, 62042-Series | 24 | 250 | 500 | 98040-0520 |
| 200 | | | | | |
| SEALED BEAM BULBS FOR OLDER LIGHTS (NOT IN CATALOGUE) | | | | | |
| 5" | 61020-Series | | | | |
| 130 | 61024-Series | 12 | 100/100 | 100/50 | |
| | 61025-Series | | | | 67296-0000 |
| 7" | 43630-Series, | 12 | 100 | 49 | 43990-0048 |
| 180 | | 24 | 450 | 450 | 66165-0000 |
| | 40017,40027,40170 | 12 | 100 | 49 | 43990-0048 |
| | 40173,40244,40324 | 24 | 400 | 200/50 | 66165-0000 |
| | 61041-3002 | 24 | 400 | 200/50 | 66165-0000 |
| 5 1/4" | 40014, 40025, | 12 | N/A | 75 | 98040-0020 |
| 145 | 40049 | | | | |
| HALOGEN BULBS - SEALED BEAM | | | | | |
| 5" | 61025-4008 | 12 | 55 | N/A | 43990-0022 |
| 130 | | | | | |
| 5" | 61026-4008 | 12 | 55 | N/A | 43990-0022 |
| 130 | | | | | |
| XENON BULBS | | | | | |
| 7" | 62040-4002X | 12 | 35 | 680 | 1000215-01K |
| 180 | 62040-4006X | 24 | 35 | 680 | 1000215-01K |

| Plastic Remote Control Lights | | | | | |
|----------------------------------|-------|-------|--------|-----------------|----------------|
| Model | Volts | Watts | Amps | Candle Power | Bulb Number |
| 135 SL | | | | | |
| 60020-0000 | 12 | 50 | 4 | 100,000 | 18753-0178 |
| 60020-0024 | 24 | 50 | 2 | 100,000 | 18753-0178 |
| 155 SL | | | | | |
| 61050-0080 | 12 | 50 | 5 | 100,000 | 18753-0528 |
| 61050-1224 | 12/24 | 50 | 5 | 100,000 | 18753-0528 |
| 146 SL | | | | | |
| 60080-0012 | 12 | 50 | 4 | 175,000 | 18753-0455 |
| 60080-0024 | 24 | 50 | 2 | 175,000 | 18753-0455 |
| 233 SL | | | | | |
| 60233-1224H | 12/24 | 55 | 5 | 225,000 | 1000193-01K |
| 255 SL | | | | | |
| 60010-0012/2012 | 12 | 50 | 4 | 200,000 | 18753-0336 |
| 60010-0024/2024 | 24 | 50 | 2 | 200,000 | 18753-0336 |
| DOCKING LIGHTS (OBSOLETE) | | | | | |
| 42440-0000 | 12 | 100 | 7.5 | | 18753-0287 |
| | | | (each) | | |
| 42440-0024 | 24 | 150 | 4.0 | | 18753-0462 |
| | | | (each) | | |

| Penet-Ray Projector Bulbs for Obsolete Reflector Lights | | | | | |
|--|---|-------|-------|---------------------------|----------------|
| Dia-meter "/mm | Searchlight Model | Volts | Watts | Candle Power x 1000 | Bulb Number |
| 6 1/2" | 40915,40018,40122 | 12 | 72 | N/A | 98039-0020 |
| 165 | 40500,40503,40533 | | | | |
| Thru | 40544,40577,40703, 40733,40744,40800 | 32 | 115 | N/A | 98039-0060 |
| 10" | 40803,40833,40844, 255 40877 | | | | |
| 6" | 63042-0012 | 12 | 35 | 600 | 64046-0007 |
| 150 | 63042-0024 | 24 | 35 | 600 | 64046-0008 |



Sealed Beam Bulb



Service Parts

Factory Authorized Service Centers in the USA

Jabsco Factory Authorized Service Centers' functions include: repair of under-warranty products; repair (for nominal charge) out-of-warranty pumps; suggesting repair parts for end users; and troubleshooting problem applications and installations.

If you, or your customer, need to return a product for warranty consideration, the following steps should be followed for the best possible service.

1. Telephone your most convenient service center for a return material authorization (RMA) number. They will, whenever possible, trouble-shoot the problem with you or your customer to resolve the claim; but if the product has to be returned, use the RMA number given to you by the customer service representative. Waste System products must be thoroughly cleaned prior to return for repair.
2. When it arrives here, we will review the problem, determine whether it is warranty or not, estimate cost and time required to repair the product, then phone you with this information.
3. For problems covered under our one year limited warranty, repairs will be completed and an itemized list of parts and labor will be enclosed with the product and it will be returned to you.
4. For problems deemed non-warranty, they will request a verbal authorization from you for the estimated repair costs, repair the product, and return it with a detailed parts and labor breakdown and invoice for the charges.

Jabsco Factory Authorized Service Centers are staffed by capable people who are dedicated to servicing product in the shortest turnaround time and at the lowest cost to you or your customer.

Our regional Marine Service Centers are:

SEARCHLIGHTS

Jabsco Service
2747 S. W. 27th Ave.
Miami, FL. 33133
Tel 800-856-1583

NORTHEAST REGION

Jabsco Service
11-35 Commercial St.
New Bedford, MA. 02741
Tel 508-992-8084

SOUTHEAST REGION

Jabsco Service
2145 Calumet St.
Clearwater, FL. 33765
Tel 800-446-1656

SOUTHWEST REGION

Jabsco Service
931 W. 18th St.
Costa Mesa, CA. 92627
Tel 949-642-6800

NORTHWEST REGION

Jabsco Service
1900 N. Northlake Way
Seattle, WA. 98103
Tel 800-426-6930

SOUTH CENTRAL

Jabsco Service
2301 Nasa Road 1
Seabrook, TX. 77586
Tel 281-474-3276

Gulf Coast Service Center for Engine Cooling Pumps

Bow 2 Stern, 229 Sunset Avenue, PO Box 5093, Houma, LA 70361
Tel 985-876-9915 Fax 985-876-9918
Toll free # 888-727-8278

Distributors are encouraged to utilize the Jabsco Factory Authorized Service Center in each region to provide convenient, prompt warranty and non-warranty repairs. (Note: non-repairable, warrantable items should be held for disposition by Jabsco Area Manager - **DO NOT SEND TO SERVICE CENTER**).

Warranty

ITT Corporation - Jabsco ("ITT") warrant that at the time of shipment the product manufactured by ITT and sold hereunder ("the product") shall be in conformity with applicable written specifications and descriptions and will be free from defects in material and workmanship for a period of 1 year or period stated on the product packaging. The warranty will not extend to a product which becomes defective resulting from damage in the course of transportation or by storage operation use or maintenance in an environment not conforming to the instructions or specifications of ITT or if the product is altered or modified in any way.

ITT's sole liability for breach of this warranty will be (at its option) to repair or replace the defective product.

Warranty is only valid with proof of purchase from an authorised ITT dealer.

Please note that the warranty on the product is with the place of purchase. For further information on ITT warranties or to make a warranty claim please contact your local ITT dealer or visit our website at www.jabsco.com

This warranty does not affect your statutory rights

This warranty statement is not definitive and will be in addition to our standard terms and conditions

Jabsco Marine Distributors in Europe & North Africa



AUSTRIA

Kuchelauer
Hafen-Donaurast GmbH
Kuchelauer Hafenstraße 2
A-1190 Vienna
Tel: +43 (1) 3701 658
Fax: +43 (1) 3701 658 77
E-Mail: office@donaurast.at
Web: www.donaurast.at

G. Ascherl GmbH

Industriestraße 43
A-6971 Hard a. Bodensee
Tel: +43 5574 89900-0
Fax: +43 5574 89900-10
E-Mail: office@ascherl.at

BELGIUM

Hunter N.V.
Smallandlaan 3B
B-2660 Hoboken
Antwerpen
Tel: +32 (0)3 820 55 60
Fax: +32 (0)3 828 49 23
E-Mail: info@hunter.be
Web: www.hunter.be

CROATIA

Madex D.O.O.
Slavka Batusica bb
23000 Zadar
Tel: +385 23340698
Fax: +385 23340698
E-Mail: marine2@madex.hr
Web: www.madex.hr

CYPRUS

C A Petrides Ltd
PO Box 56086
Franklin Roosevelt Av 46
3012 Limassol
Tel: +35 72 5564200
Fax: +35 72 5565123
E-Mail: eugene@cvtanet.com.cy

DENMARK

Johs Thornam A/S
Hvedemarken 3-5
3520 Farum
Tel: +45 4434040
Fax: +45 4434079
E-Mail: thornam@thornam.com
Web: www.thornam.com

EGYPT

El Seheemy Marine
Equipment
48 Youssif Abbas ST
Naser City
Cairo
Tel: (+202) 02 24041950
(+202) 02 24032043
Fax: (+202) 02 24026595
E-Mail: seheemy@link.net

FINLAND

OY Vestek AB
Martinkuja 4
Fin-02270 Espoo
Tel: +358 9887 0120
Fax: +358 9887 01291
E-Mail: vene@vestek.fi
Web: www.vestek.fi

FRANCE

Vidal Diffusion Marine
1523 Avenue de Draguignan
Z.I. Toulon Est, 83130 La Garde
Tel: +33 4 94 08 6820
Fax: +33 4 94 08 2659
E-Mail: courrier@vidalmarine.com
Web: www.vidalmarine.com

Kent Marine Equipment

BP 207, 3 Rue de la Dutée (ZIL)
44815 St Herblain - Cedex
Tel: +33 240 92 15 84
Fax: +33 240 92 13 16
E-Mail: contact@kent-marine.com
Web: www.kent-marine.com

Seimi

CS 41809, 29218 Brest,
Cedex 2
Tel: +33 298 4611 02
Fax: +33 298 4337 49
E-Mail: info@seimi-com

GERMANY

Jabsco GmbH
Oststrasse 28
D-22844 Norderstedt
Tel: +49 (0) 40 535 373 0
Fax: +49 (0) 40 535 373 11
E-Mail: vertrieb@jabsco.de

GIBRALTAR

M. Sheppard & Co Ltd
Waterport
Tel: +350 20075148 / 20077183
Fax: +350 20042535
E-Mail: info@sheppard.gi

Europe & North Africa

Jabsco Marine Distributors in Europe & North Africa

GREECE

Alson S A
 12th. KmNat. Road
 Athens - Lamia
 Metamorfofi
 GR 144 52
Tel: +30 210 285 5878
Fax: +30 210 285 5879
E-Mail: info@alson.gr
Web: www.alson.gr

Tecrep Marine SA

36 Akti Tr.
 Moutsopoulos Str.
 185 36 Piraeus
Tel: +30 210 451 4526
Fax: +30 210 418 4280
E-Mail: sales@tecrepmarine.gr
Web: www.tecrepmarine.gr

ICELAND

Velasalan ehf.
 Klettagardar 25,
 104 Reykjavik
Tel: +354 520 0000
Fax: +354 520 0020
E-Mail: stefan@velasalan.is
Web: www.velasalan.is

IRELAND

C H Marine Ltd.
 Nautic House
 Marsh Road
 Skibbereen
 Co Cork
 Ireland
Tel: +353 28 23 190
Fax: +353 28 22 028
E-Mail: sales@chmarine.com
Web: www.chmarine.com

ISRAEL

S.AL Technical Equipment Ltd.
 36 Hamerkava St.,
 Holon 58859
 P.O. Box 93 58008
 Israel
Tel: +972 3 556 6363
Fax: +972 3 556 6474
E-Mail: dany@saltech.co.il
Web: www.saltech.co.il

ITALY

ITT Jabsco Marine Italia srl
 ViaTommaso 6
 20059 Vimercate
 Milano
Tel: +39 0396 852 323
Fax: +39 0396 663 07
E-Mail: info@jabsco.it

LEBANON

Kyriakos Freres
 Ain El Mreish
 Kyriakos Building
 Beirut
Tel: +961 1 362 752
Fax: +961 1 368 877
E-Mail: kyriakos@cyberia.net.lb
Web: www.kyriakos-lb.com

MALTA

International Marine Centre Ltd
 Testaferrata Street
 Ta' Xbiex XBX 1405
Tel: +356 2133 2747
Fax: +356 2134 3871
E-Mail: info@imc.com.mt
Web: www.imc.com.mt

NETHERLANDS

Lankhorst Taselaar
 Postbus 502
 8200 AM, Lelystad
 Binnenhavenweg 31
 8211 AA, Lelystad
Tel: +31 (0) 184 615 800
Fax: +31 (0) 184 614 045

Exalto BV

Nijverheidsstraat 12
 P.O. Box 40
 3370 AA Hardinxveld-Giessendam
Tel: +31 184 615 800
Fax: +31 184 614 045
E-Mail: sales@exalto.com
Web: www.exalto.com

Handelmij.Schulte & Co BV

PO Box 140
 3870 CC Hoevelaken
Tel: +31 332534030
Fax: +31 332536574
E-Mail: info@schulteco.nl
Web: www.schulteco.nl

NORWAY

OEM Automatic AS
 Bjørnstjerne Bjørnsonsgate 110
 Drammen
 N-3044
Tel: +47 32210571
Fax: +47 32210501
E-Mail: post@oem.no
Web: www.oem.no

Flak a/s
 Ski-basen 14-16
 Kristiansand S.
 Norway
Tel: +47 38 05 66 00
Fax: +47 38 04 34 71
E-Mail: tflak@flak.no

POLAND

Taurus Sea Power
 Dzwigowa 13B 80-414
 Gdansk
Tel: 058 3443050/3131
Fax: 058 341 6762
E-Mail: taurus@taurus.gda.pl
Web: www.taurus.gda.pl

PORTUGAL

Hidromethos, Lda
 Quinta do Lago
 Armazém 24
 2660-196 St Antão do Tojal
Tel: +351 219 737 580
Fax: +351 219 737 589
E-Mail: geral@hidromethos.pt
Web: www.hidromethos.pt

SCOTLAND

Mack Engineering
 Block 57, Unit 3 Montrose Avenue
 Hillington Industrial Estate
 Glasgow, G52 4LA
 Scotland
Tel: +44 (0) 141 8821030
Fax: +44 (0) 141 8827330
E-Mail: mackengineering@btconnect.com
Web: www.mackengineering.co.uk

SPAIN

Tecnica De Fluidos SL
 C/Marina 131 Bis 133
 08013 Barcelona
Tel: +34 932 32 5162/5251/5750
Fax: +34 932 65 9432/8513
E-Mail: tdf@tecnicafluidos.com
Web: www.tecnicafluidos.com

SWEDEN

AB Telfa
 Box 12030
 Karl-Johansgatan 158
 S-402 41 Gothenburg
Tel: +46 (0) 75 24 24 450
Fax: +46 (0) 75 24 24 495
E-Mail: info@telfa.se
Web: www.telfa.se

SWITZERLAND

Bucher & Walt SA
 Route de Soleure 8
 CH 2072 St Blaise NE
Tel: +41 32 755 95 00
Fax: +41 32 755 95 30
E-Mail: info@bucher-walt.ch
Web: www.bucher-walt.ch

TURKEY

Suat Karaosman - Dizel Tic Ve San Ltd Sti
 Elmadağ Cad 57
 Istanbul 34373
Tel: +90 212 248 2170/230 6515
Fax: +90 212 230 7392
E-Mail: info@suatkaraosman.com
Web: www.suatkaraosman.com

UNITED KINGDOM

Cleghorn
Waring & Co (Pumps) Ltd
 Icknield Way
 Letchworth Garden City
 Hertfordshire SG6 1EZ
Tel: +44 1462 480380
Fax: +44 1462 482422
E-Mail: mail@cleghorn.co.uk
Web: www.cleghorn.co.uk
 www.jabscoshop.co.uk

Africa, Middle & nr East Asia & Australasia



Jabsco Marine Distributors in Africa, Middle & nr East Asia & Australasia



AUSTRALIA

R.W.Basham Pty. Ltd.
 146 Cope street,
 Waterloo,
 New South Wales 2017
Tel: +61 02 9319 6027
Fax: +61 02 9319 5157
E-Mail: info@rvwbmarine.com.au
Web: www.rvwbmarine.com.au

Pumptec

43 Sydenham Road
 Brookvale NSW 2100
 Australia
Tel: +61 02 9939 4600
Fax: +61 02 9939 4700
E-Mail: info@jabsco.com.au
Web: www.jabsco.com

Waterfront Marine Services

43 Packenham Street
 Fremantle 6160
 Post Office Box:
 PO Box 275
 6959
Tel: +61 08 9335 7766
Fax: +61 08 9335 3002
E-Mail: peter@waterfrontmarine.com.au
Web: www.waterfrontmarine.com.au

BAHRAIN

2000 Marine Stores
 P.O. Box 26927
 Manama
Tel: +973 17 742777
Fax: +973 17 742255
E-Mail: grp2000@batelco.com.bh

CHINA

AC#108780 Shanghai Ocean Equipment Co.,Ltd
 Building 41, Lane 1277,
 East Zhuanxing Road,
 Minhang District, Shanghai.
 Postcode: 201108
Contact: Tomas Zhu
Tel: (86)21 3430 5312
Fax: (86)21 3430 5310
E-Mail: zhu@ocean-china.com

AC#106859 Holylight Shenzhen Trading Limited

Unit C22/Seascape square,
 No 18, Taizi Road, Shekou,
 Shenzhen
 Postcode: 518067
Contact: Zhu, Xunfu
Tel: (86)755-26670700
Fax: (86)755-26829418
E-Mail: holylight@szhotmail.com

AC#111532 Wuhan Glitter M&E Co., Ltd

Rm 1188, No.76 Qingnian Rd,
 Wuhan, China
 Postcode: 430015
Contact: Jiang, Hui
Tel: (86)27-85732311
Fax: (86)27-85745427
E-Mail: glitter88@126.com

HONG KONG

Francois D'Hardivilliers Ltd
 59 Des Voeux Road Central
 10th Floor, Chung Nam House
Tel: +852 2526 3117
Fax: +852 2945 9115
E-Mail: fdh@atgroup.com.hk

INDONESIA

Jasa Marine Hardware PT
 Jl. Malaka 2 No. 35
 Jakarta 11230
Tel: +62 21 6190 3130
Fax: +62 21 690 5615
E-Mail: customer@jasamarine.co.id
Web: www.jasamarine.co.id

Dunia Marine Internusa PT

Jl. Malaka 2 No. 35
 Jakarta 11230
Tel: +62 21 690 3130
Fax: +62 21 690 5615
E-Mail: customer@jasamarine.co.id
Web: www.jasamarine.co.id

KUWAIT

M/s. Sons of M.H. Qabazard Gen. Trading & Cont. Co.
 P.O. Box 1660- Safat,
 13017 - Safat, Kuwait.
Tel: (+965) 22411390
Fax: (+965) 22411054
E-Mail: qabasons@qualitynet.net

JAPAN

NHK Jabsco Co Ltd,
 3-21-10, Shin-Yokohama, Kohoku-ku,
 Yokohama 222-0033
Tel: +81 (0) 45 475 8906
Fax: +81 (0) 45 477 1162

MALAYSIA

Overseas
 Motor Corp (KL) Sdn bhd
 29-3 Jalan Loke Yew
 55200 Kuala Lumpur
 Wilayah, Persekutuan
Tel: +60 3 9221 0411
Fax: +60 3 9221 3634
E-Mail: info@overseasmotorcorp.com
 ronnie_oes@hotmail.com
Web: www.overseasmotorcorp.com

Africa, Middle & nr East Asia & Australasia

South America

Jabsco Marine Distributors in Africa, Middle & nr East Asia & Australasia

MALDIVES

Seagull Group Pvt Ltd
 "Narugis" Chaandhanee Magu
 PO Box 20191
 Male', Maldives
 Tel: +960 332 6539
 Fax: +960 3325336
 E-Mail: info@seagullmaldives.com
 Web: www.seagullmaldives.com

NEW ZEALAND

Lusty and Blundell Ltd
 38 Tawa Drive
 Albany 0632
 Private Bag Takapuna
 Auckland 0622
 Tel: +64 09 415 8303
 Fax: +64 09 415 8304
 E-Mail: sales@lusty-blundell.co.nz
 Web: www.lusty-blundell.co.nz

OMAN

OHI Marine LLC
 PO Box 889
 Muscat 113
 Tel: +968 712 240
 Fax: +968 712 085

PHILIPPINES

Paleeno Ap Inc.
 Marine Tehnology Center
 Aduana Cor., Arzobispo St.
 Intramuros, Manila 1002
 Tel: +632 527 9044
 Fax: +632 527 9051
 E-Mail: info@paleeno.com

SINGAPORE

Overseas Motors (Pte) Ltd
 19 Fourth Chin Bee Road
 Singapore 619705
 Tel: +65 6264 7288
 Fax: +65 6264 7189
 E-Mail: sales@oseamo.com
 Web: www.oseamo.com

SOUTH AFRICA

Manex & Marine Power (Pty) Ltd
 PO Box 173
 Paarden Eiland 7420
 Tel: +27 21511 7292
 Fax: +27 21510 1487
 E-Mail: manex@manex.co.za
 Web: www.manex.co.za

SOUTH KOREA

Jonghap Marine Engineering Inc
 188-38, DongSam-Dong,
 YoungDo-Ku,
 Pusan,
 Korea
 Tel: +82-51-403-2381
 Fax: +82-51-403-2409
 E-Mail: jmepusan@jonghap-jme.co.kr
 Web: www.jonghap-jme.co.kr

TAIWAN

God Power International Ltd
 No. 9-32, Nay Keng Road
 Taliiao
 Koahsiung Hsien
 Tel: +886 7 7885322
 Fax: +886 7 7885320
 E-Mail: gp.marine@msa.hinet.net
 Web: www.godpower.com.tw

THAILAND

Thai Kolon Co. Ltd
 1093/78 16th Floor Central City
 Tower Moo 12, Bangna-Trad Road
 Bangna, Bangkok 10260
 Tel: +66 2 745 6468-76
 Fax: +66 2 745 6152
 E-Mail: thkolon@ji-net.com
 Web: www.thaikolon.com

UNITED ARAB EMIRATES

Mohammad H. Kabar Awazi Est.
 P.O.Box:704
 Dubai, U.A.E
 Tel: +971 4 2222464,
 +971 4 2229858
 Fax: +971 4 2224617

Exalto Emirates,
 Wassit Road,
 Industrial Area VI,
 PO Box 21567, Sharjah
 Tel: +971 (0) 6 5420597
 Fax: +971 (0) 6 5421423
 Email: info@exalto-emirates.com
 Web: www.exalto-emirates.com

Sun-Set Marine Equipment L.L.C
 P.O. Box : 55445,
 Abu Dhabi, U.A.E.
 Tel: +971 - 2 - 645 8885
 Fax: +971 - 2 - 645 8886
 E-Mail: ssmarine@emirates.net.ae

Abu Dhabi Marine Equipment
 Post Box 4164,
 Abu Dhabi
 Tel: 009712 6732300
 Fax: 009712 6732301
 E-Mail: boatadme@emirates.net.ae

Jabsco Marine Distributors in South America



Motonautica Torre
 Carretera a Progreso Km 9
 Merida, Yucatan
 Tel: +52 999 941 2041
 Fax: +52 999 941 2076

Ferreteria Zaragoza
 Francisco Medina Ascencio 1600.
 Colonia Olimpica.
 C.P. 48330 Puerto Vallarta, Jalisco
 Tel: +52 322 222 1436
 Fax: +52 322 222 3736

Equipasca de Obregon, S.A. de C.V.
 Nicolas Bravo 1055 Ote.
 CP 85000 Ciudad Obregon, Sonora,
 Tel: +52 (644) 410 7500
 Fax: +52 (644) 410 7501

NETHERLANDS ANTILLES
Budget Marine-St. Martin
 Waterfront Rd. 25B
 Cole Bay
 Philipsburg, St. Martin
 Tel: +599 (544) 3134
 Fax: +599 544 4409

PANAMA
Centro Marino
 AVE. NACIONAL NO. 45
 Panama City
 Tel: +507 (225) 6331
 Fax: +507 227 1526

Abernathy S.A.
 Centro de Pesca,
 Lanchay y Mar
 Urbanizacion Los Angeles,
 Via Transistmica Panama
 Tel: +507 (260) 1222
 Fax: +507 236 0140

COLOMBIA
Equisnautica
 CII 49B 67-38
 Medellin
 Tel: +57 4 260 9259
 Fax: +57 4 430 0430
 E-Mail: equisnautica@epm.net.co

COSTA RICA
Instrumar
 San Jose
 Tel: +506 (296) 0847
 Fax: +506 296 0847

ECUADOR
Artipsec
 La libertad,
 calle 15 s/n entre Av 5 y 7
 Peninsula de Santa Elena
 Ecuador
 Tel: 593-4-278-4971
 E-Mail: gerencia@artipisca.com.ec

GUATEMALA
Representaciones Marinas de Guatemala S.A.
 4a Ave. 10-46
 Zona 10
 Tel: +502 (2379) 8206
 Fax: +502 (2379) 8200
Pesqueros de Guatemala SA
 9 Calle 0-10
 Zona 9
 Guatemala City
 Tel: +502 (2437) 1058
 Fax: +502 (2331) 4602

MEXICO
Boats & Golf, S.A. de C.V.
 Plaza Las Palmas Loc. 11
 Av. Urano 585, Esq. Ejercito
 Mexicano
 Boca del Rio, Veracruz
 Tel: +52 229 923 0210

ST MAARTEN
Island Water World
 PO Box 234
 Wellsberg Rd
 Cole Bay
 Philipsburg
 St. Maarten, N. A.
 Tel: +599 544 5310
 Fax: +599 544 3299

Budget Marine
 Waterfront Rd. 25B
 Cole Bay
 Philipsburg
 Tel: +599 544 3134

TRINIDAD
Budget Marine-Trinidad
 Western Main Rd.
 Chaguaramas
 Tel: +1 (868) 634 2006
 Fax: +1 (868) 634 4382

URUGUAY
Lesas SA
 Libres 1574
 11100-Montevideo
 Tel: +598 203 1111
 E-Mail: gustavolema@bombaslesas.com

US VIRGIN ISLANDS
Island Marine Outfitters
 3812 Crown Bay
 St. Thomas, USVI 00802
 Tel: +1 (340) 776 3170
 Fax: +1 340 776 8123

VENEZUELA
Tornillos El Capitan
 1a Transversal
 Urb. Miramar
 Maiquetia
 Tel: +58 212 331 0242
 Fax: +58 212 331 6934
 E-Mail: info@tornilloselcapitan.com
 Web: www.tornilloselcapitan.com

Vemasca
 Porlamar
 Isla Mararita
 Tel: +58 95 64 1646
 Fax: +58 95 64 2529
Ralph Gonzalez
 Calle 77 No. 3G-39
 Maracaibo
 Tel: +58 261 791 4287
 Fax: +58 261 791 0944

PERU
Swisscorp
 Centro ejecutivo Pardo
 Bologneso 125, Of. 1201
 Miraflores, Lima 18
 Tel: +511 447 8161
 E-Mail: gvalentin@swisscorp.com.pe

PUERTO RICO
CEA
 655 Ponce de Leon, Stop 36
 San Juan PR 00919-0664
 Tel: +1 (787) 751 6570
 Fax: +1 (787) 759 9466

SANTO DOMINGO
Auto Marina- Caribbean
 Marine Center
 Av. Los Proceres #2
 Esq. Euclides
 Morillo
 Rep. Dominicana
 Tel: +1 (809) 565 6576

Jabsco Marine Distributors in South America

ARGENTINA
Av. Ramon S Castillo y Calle 13
 1425 - Puerto de Bs. As.
 Capital Federal, Argentina
 Tel: 011-4312-4545
 Fax: 4312-5258
 E-Mail: info@costanerauno.com.ar

BAHAMAS
Marlin Marine
 East Bay St.
 PO Box SS-5453
 Nassau
 Tel: +1 (242) 393 7873
 Fax: +1 (242) 393 0066

Lightbourne Marine
 PO Box N4894, East Bay St.
 Nassau
 Tel: +1 242 (393) 5549
 Fax: +1 (242) 393 6236
Harbourside Marine
 PO BOX N4867, East Bay St.
 Nassau
 Tel: +1 242 (393) 0262
 Fax: +1 242 (394) 7659

BARBADOS
Carter's Fisherman's Corner
 Carlisle House
 Bridge Town
 Tel: +1 246 (436) 6846

BERMUDA
Bermuda Marine Supply
 15 Gorham Road
 Hamilton HM CX
 Tel: +1 441 295 9950

BRAZIL
Regatta
 Rua Alvarenga 2121
 Sao Paulo
 Tel: +55 11 3030 3400
 Fax: +55 11 814 7015
 Web: www.regatta.com.br

BRITISH VIRGIN ISLANDS
Clarence Thomas Ltd.
 10 CTL Ave.
 Patea Estate
 Road Town, Tortola
 Tel: +284 (494) 2359
 Fax: +284 (494) 2959

CHILE
Lyon
 Huerfanos 2204
 Santiago de Chile
 Chile
 Tel: +56 2 699 4979
 Fax: +56 2 672 5523
 E-Mail: jalyon.cia@terra.cl

Marine Distribution

Marine Distribution

Inches to Centimetres / Celcius to Fahrenheit

US Gallons to litres to Imperial Gallons



Inches to Centimetres

| inches | cm | inches | cm | inches | cm | inches | cm | inches | cm | inches | cm |
|--------|-------|--------|-------|--------|--------|--------|--------|--------|--------|--------|--------|
| 0.50 | 1.27 | 17.50 | 44.45 | 34.50 | 87.63 | 51.50 | 130.81 | 68.50 | 173.99 | 85.50 | 217.17 |
| 1.00 | 2.54 | 18.00 | 45.72 | 35.00 | 88.90 | 52.00 | 132.08 | 69.00 | 175.26 | 86.00 | 218.44 |
| 1.50 | 3.81 | 18.50 | 46.99 | 35.50 | 90.17 | 52.50 | 133.35 | 69.50 | 176.53 | 86.50 | 219.71 |
| 2.00 | 5.08 | 19.00 | 48.26 | 36.00 | 91.44 | 53.00 | 134.62 | 70.00 | 177.80 | 87.00 | 220.98 |
| 2.50 | 6.35 | 19.50 | 49.53 | 36.50 | 92.71 | 53.50 | 135.89 | 70.50 | 179.07 | 87.50 | 222.25 |
| 3.00 | 7.62 | 20.00 | 50.80 | 37.00 | 93.98 | 54.00 | 137.16 | 71.00 | 180.34 | 88.00 | 223.52 |
| 3.50 | 8.89 | 20.50 | 52.07 | 37.50 | 95.25 | 54.50 | 138.43 | 71.50 | 181.61 | 88.50 | 224.79 |
| 4.00 | 10.16 | 21.00 | 53.34 | 38.00 | 96.52 | 55.00 | 139.70 | 72.00 | 182.88 | 89.00 | 226.06 |
| 4.50 | 11.43 | 21.50 | 54.61 | 38.50 | 97.79 | 55.50 | 140.97 | 72.50 | 184.15 | 89.50 | 227.33 |
| 5.00 | 12.70 | 22.00 | 55.88 | 39.00 | 99.06 | 56.00 | 142.24 | 73.00 | 185.42 | 90.00 | 228.60 |
| 5.50 | 13.97 | 22.50 | 57.15 | 39.50 | 100.33 | 56.50 | 143.51 | 73.50 | 186.69 | 90.50 | 229.87 |
| 6.00 | 15.24 | 23.00 | 58.42 | 40.00 | 101.60 | 57.00 | 144.78 | 74.00 | 187.96 | 91.00 | 231.14 |
| 6.50 | 16.51 | 23.50 | 59.69 | 40.50 | 102.87 | 57.50 | 146.05 | 74.50 | 189.23 | 91.50 | 232.41 |
| 7.00 | 17.78 | 24.00 | 60.96 | 41.00 | 104.14 | 58.00 | 147.32 | 75.00 | 190.50 | 92.00 | 233.68 |
| 7.50 | 19.05 | 24.50 | 62.23 | 41.50 | 105.41 | 58.50 | 148.59 | 75.50 | 191.77 | 92.50 | 234.95 |
| 8.00 | 20.32 | 25.00 | 63.50 | 42.00 | 106.68 | 59.00 | 149.86 | 76.00 | 193.04 | 93.00 | 236.22 |
| 8.50 | 21.59 | 25.50 | 64.77 | 42.50 | 107.95 | 59.50 | 151.13 | 76.50 | 194.31 | 93.50 | 237.49 |
| 9.00 | 22.86 | 26.00 | 66.04 | 43.00 | 109.22 | 60.00 | 152.40 | 77.00 | 195.58 | 94.00 | 238.76 |
| 9.50 | 24.13 | 26.50 | 67.31 | 43.50 | 110.49 | 60.50 | 153.67 | 77.50 | 196.85 | 94.50 | 240.03 |
| 10.00 | 25.40 | 27.00 | 68.58 | 44.00 | 111.76 | 61.00 | 154.94 | 78.00 | 198.12 | 95.00 | 241.30 |
| 10.50 | 26.67 | 27.50 | 69.85 | 44.50 | 113.03 | 61.50 | 156.21 | 78.50 | 199.39 | 95.50 | 242.57 |
| 11.00 | 27.94 | 28.00 | 71.12 | 45.00 | 114.30 | 62.00 | 157.48 | 79.00 | 200.66 | 96.00 | 243.84 |
| 11.50 | 29.21 | 28.50 | 72.39 | 45.50 | 115.57 | 62.50 | 158.75 | 79.50 | 201.93 | 96.50 | 245.11 |
| 12.00 | 30.48 | 29.00 | 73.66 | 46.00 | 116.84 | 63.00 | 160.02 | 80.00 | 203.20 | 97.00 | 246.38 |
| 12.50 | 31.75 | 29.50 | 74.93 | 46.50 | 118.11 | 63.50 | 161.29 | 80.50 | 204.47 | 97.50 | 247.65 |
| 13.00 | 33.02 | 30.00 | 76.20 | 47.00 | 119.38 | 64.00 | 162.56 | 81.00 | 205.74 | 98.00 | 248.92 |
| 13.50 | 34.29 | 30.50 | 77.47 | 47.50 | 120.65 | 64.50 | 163.83 | 81.50 | 207.01 | 98.50 | 250.19 |
| 14.00 | 35.56 | 31.00 | 78.74 | 48.00 | 121.92 | 65.00 | 165.10 | 82.00 | 208.28 | 99.00 | 251.46 |
| 14.50 | 36.83 | 31.50 | 80.01 | 48.50 | 123.19 | 65.50 | 166.37 | 82.50 | 209.55 | 99.50 | 252.73 |
| 15.00 | 38.10 | 32.00 | 81.28 | 49.00 | 124.46 | 66.00 | 167.64 | 83.00 | 210.82 | 100.00 | 254.00 |
| 15.50 | 39.37 | 32.50 | 82.55 | 49.50 | 125.73 | 66.50 | 168.91 | 83.50 | 212.09 | | |
| 16.00 | 40.64 | 33.00 | 83.82 | 50.00 | 127.00 | 67.00 | 170.18 | 84.00 | 213.36 | | |
| 16.50 | 41.91 | 33.50 | 85.09 | 50.50 | 128.27 | 67.50 | 171.45 | 84.50 | 214.63 | | |
| 17.00 | 43.18 | 34.00 | 86.36 | 51.00 | 129.54 | 68.00 | 172.72 | 85.00 | 215.90 | | |

Celsius and Fahrenheit

| °C | °F | °C | °F | °C | °F | °C | °F | °C | °F | °C | °F |
|--------|-------|-------|-------|-------|--------|-------|--------|-------|--------|--------|--------|
| -10.00 | 14.00 | 8.50 | 47.30 | 27.00 | 80.60 | 45.50 | 113.90 | 64.00 | 147.20 | 82.50 | 180.50 |
| -9.50 | 14.90 | 9.00 | 48.20 | 27.50 | 81.50 | 46.00 | 114.80 | 64.50 | 148.10 | 83.00 | 181.40 |
| -9.00 | 15.80 | 9.50 | 49.10 | 28.00 | 82.40 | 46.50 | 115.70 | 65.00 | 149.00 | 83.50 | 182.30 |
| -8.50 | 16.70 | 10.00 | 50.00 | 28.50 | 83.30 | 47.00 | 116.60 | 65.50 | 149.90 | 84.00 | 183.20 |
| -8.00 | 17.60 | 10.50 | 50.90 | 29.00 | 84.20 | 47.50 | 117.50 | 66.00 | 150.80 | 84.50 | 184.10 |
| -7.50 | 18.50 | 11.00 | 51.80 | 29.50 | 85.10 | 48.00 | 118.40 | 66.50 | 151.70 | 85.00 | 185.00 |
| -7.00 | 19.40 | 11.50 | 52.70 | 30.00 | 86.00 | 48.50 | 119.30 | 67.00 | 152.60 | 85.50 | 185.90 |
| -6.50 | 20.30 | 12.00 | 53.60 | 30.50 | 86.90 | 49.00 | 120.20 | 67.50 | 153.50 | 86.00 | 186.80 |
| -6.00 | 21.20 | 12.50 | 54.50 | 31.00 | 87.80 | 49.50 | 121.10 | 68.00 | 154.40 | 86.50 | 187.70 |
| -5.50 | 22.10 | 13.00 | 55.40 | 31.50 | 88.70 | 50.00 | 122.00 | 68.50 | 155.30 | 87.00 | 188.60 |
| -5.00 | 23.00 | 13.50 | 56.30 | 32.00 | 89.60 | 50.50 | 122.90 | 69.00 | 156.20 | 87.50 | 189.50 |
| -4.50 | 23.90 | 14.00 | 57.20 | 32.50 | 90.50 | 51.00 | 123.80 | 69.50 | 157.10 | 88.00 | 190.40 |
| -4.00 | 24.80 | 14.50 | 58.10 | 33.00 | 91.40 | 51.50 | 124.70 | 70.00 | 158.00 | 88.50 | 191.30 |
| -3.50 | 25.70 | 15.00 | 59.00 | 33.50 | 92.30 | 52.00 | 125.60 | 70.50 | 158.90 | 89.00 | 192.20 |
| -3.00 | 26.60 | 15.50 | 59.90 | 34.00 | 93.20 | 52.50 | 126.50 | 71.00 | 159.80 | 89.50 | 193.10 |
| -2.50 | 27.50 | 16.00 | 60.80 | 34.50 | 94.10 | 53.00 | 127.40 | 71.50 | 160.70 | 90.00 | 194.00 |
| -2.00 | 28.40 | 16.50 | 61.70 | 35.00 | 95.00 | 53.50 | 128.30 | 72.00 | 161.60 | 90.50 | 194.90 |
| -1.50 | 29.30 | 17.00 | 62.60 | 35.50 | 95.90 | 54.00 | 129.20 | 72.50 | 162.50 | 91.00 | 195.80 |
| -1.00 | 30.20 | 17.50 | 63.50 | 36.00 | 96.80 | 54.50 | 130.10 | 73.00 | 163.40 | 91.50 | 196.70 |
| -0.50 | 31.10 | 18.00 | 64.40 | 36.50 | 97.70 | 55.00 | 131.00 | 73.50 | 164.30 | 92.00 | 197.60 |
| 0.00 | 32.00 | 18.50 | 65.30 | 37.00 | 98.60 | 55.50 | 131.90 | 74.00 | 165.20 | 92.50 | 198.50 |
| 0.50 | 32.90 | 19.00 | 66.20 | 37.50 | 99.50 | 56.00 | 132.80 | 74.50 | 166.10 | 93.00 | 199.40 |
| 1.00 | 33.80 | 19.50 | 67.10 | 38.00 | 100.40 | 56.50 | 133.70 | 75.00 | 167.00 | 93.50 | 200.30 |
| 1.50 | 34.70 | 20.00 | 68.00 | 38.50 | 101.30 | 57.00 | 134.60 | 75.50 | 167.90 | 94.00 | 201.20 |
| 2.00 | 35.60 | 20.50 | 68.90 | 39.00 | 102.20 | 57.50 | 135.50 | 76.00 | 168.80 | 94.50 | 202.10 |
| 2.50 | 36.50 | 21.00 | 69.80 | 39.50 | 103.10 | 58.00 | 136.40 | 76.50 | 169.70 | 95.00 | 203.00 |
| 3.00 | 37.40 | 21.50 | 70.70 | 40.00 | 104.00 | 58.50 | 137.30 | 77.00 | 170.60 | 95.50 | 203.90 |
| 3.50 | 38.30 | 22.00 | 71.60 | 40.50 | 104.90 | 59.00 | 138.20 | 77.50 | 171.50 | 96.00 | 204.80 |
| 4.00 | 39.20 | 22.50 | 72.50 | 41.00 | 105.80 | 59.50 | 139.10 | 78.00 | 172.40 | 96.50 | 205.70 |
| 4.50 | 40.10 | 23.00 | 73.40 | 41.50 | 106.70 | 60.00 | 140.00 | 78.50 | 173.30 | 97.00 | 206.60 |
| 5.00 | 41.00 | 23.50 | 74.30 | 42.00 | 107.60 | 60.50 | 140.90 | 79.00 | 174.20 | 97.50 | 207.50 |
| 5.50 | 41.90 | 24.00 | 75.20 | 42.50 | 108.50 | 61.00 | 141.80 | 79.50 | 175.10 | 98.00 | 208.40 |
| 6.00 | 42.80 | 24.50 | 76.10 | 43.00 | 109.40 | 61.50 | 142.70 | 80.00 | 176.00 | 98.50 | 209.30 |
| 6.50 | 43.70 | 25.00 | 77.00 | 43.50 | 110.30 | 62.00 | 143.60 | 80.50 | 176.90 | 99.00 | 210.20 |
| 7.00 | 44.60 | 25.50 | 77.90 | 44.00 | 111.20 | 62.50 | 144.50 | 81.00 | 177.80 | 99.50 | 211.10 |
| 7.50 | 45.50 | 26.00 | 78.80 | 44.50 | 112.10 | 63.00 | 145.40 | 81.50 | 178.70 | 100.00 | 212.00 |
| 8.00 | 46.40 | 26.50 | 79.70 | 45.00 | 113.00 | 63.50 | 146.30 | 82.00 | 179.60 | | |

US Gallons (usg) to Litres to UK Imperial Gallons (ig)

| US Gallons | Litres | Imperial Gallons | US Gallons | Litres | Imperial Gallons | US Gallons | Litres | Imperial Gallons |
|------------|--------|------------------|------------|--------|------------------|------------|--------|------------------|
| 10 | 38 | 8 | 680 | 2574 | 566 | 1350 | 5110 | 1124 |
| 20 | 76 | 17 | 690 | 2612 | 575 | 1360 | 5148 | 1132 |
| 30 | 114 | 25 | 700 | 2650 | 583 | 1370 | 5186 | 1141 |
| 40 | 151 | 33 | 710 | 2688 | 591 | 1380 | 5224 | 1149 |
| 50 | 189 | 42 | 720 | 2725 | 600 | 1390 | 5262 | 1157 |
| 60 | 227 | 50 | 730 | 2763 | 608 | 1400 | 5300 | 1166 |
| 70 | 265 | 58 | 740 | 2801 | 616 | 1410 | 5337 | 1174 |
| 80 | 303 | 67 | 750 | 2839 | 625 | 1420 | 5375 | 1182 |
| 90 | 341 | 75 | 760 | 2877 | 633 | 1430 | 5413 | 1191 |
| 100 | 379 | 83 | 770 | 2915 | 641 | 1440 | 5451 | 1199 |
| 110 | 416 | 92 | 780 | 2953 | 650 | 1450 | 5489 | 1207 |
| 120 | 454 | 100 | 790 | 2990 | 658 | 1460 | 5527 | 1216 |
| 130 | 492 | 108 | 800 | 3028 | 666 | 1470 | 5565 | 1224 |
| 140 | 530 | 117 | 810 | 3066 | 674 | 1480 | 5602 | 1232 |
| 150 | 568 | 125 | 820 | 3104 | 683 | 1490 | 5640 | 1241 |
| 160 | 606 | 133 | 830 | 3142 | 691 | 1500 | 5678 | 1249 |
| 170 | 644 | 142 | 840 | 3180 | 699 | 1510 | 5716 | 1257 |
| 180 | 681 | 150 | 850 | 3218 | 708 | 1520 | 5754 | 1266 |
| 190 | 719 | 158 | 860 | 3255 | 716 | 1530 | 5792 | 1274 |
| 200 | 757 | 167 | 870 | 3293 | 724 | 1540 | 5830 | 1282 |
| 210 | 795 | 175 | 880 | 3331 | 733 | 1550 | 5867 | 1291 |
| 220 | 833 | 183 | 890 | 3369 | 741 | 1560 | 5905 | 1299 |
| 230 | 871 | 192 | 900 | 3407 | 749 | 1570 | 5943 | 1307 |
| 240 | 909 | 200 | 910 | 3445 | 758 | 1580 | 5981 | 1316 |
| 250 | 946 | 208 | 920 | 3483 | 766 | 1590 | 6019 | 1324 |
| 260 | 984 | 217 | 930 | 3520 | 774 | 1600 | 6057 | 1332 |
| 270 | 1022 | 225 | 940 | 3558 | 783 | 1610 | 6094 | 1341 |
| 280 | 1060 | 233 | 950 | 3596 | 791 | 1620 | 6132 | 1349 |
| 290 | 1098 | 241 | 960 | 3634 | 799 | 1630 | 6170 | 1357 |
| 300 | 1136 | 250 | 970 | 3672 | 808 | 1640 | 6208 | 1366 |
| 310 | 1173 | 258 | 980 | 3710 | 816 | 1650 | 6246 | 1374 |
| 320 | 1211 | 266 | 990 | 3748 | 824 | 1660 | 6284 | 1382 |
| 330 | 1249 | 275 | 1000 | 3785 | 833 | 1670 | | |

Product Number Index - continued

| Product | Page | Product | Page | Product | Page | Product | Page | Product | Page | Product | Page |
|------------|------|------------|------|------------|------|------------|------|-------------|------|------------|------|
| 36740-0031 | 84 | 42510-0000 | 27 | 50200-2211 | 57 | 52700-0092 | 31 | 6056-0003 | 79 | iD20K | 78 |
| 36760-0115 | 83 | 42520-0000 | 27 | 50200-2311 | 57 | 52700-0092 | 31 | 61050-0012 | 88 | iL200 | 42 |
| 36770-0115 | 83 | 42530-0000 | 27 | 50220-0011 | 57 | 52700-0094 | 31 | 61050-1224 | 88 | iL200P | 42 |
| 36800-0200 | 26 | 42630-2900 | 22 | 50220-0111 | 57 | 52700-0094 | 31 | 61S | 48 | iL200P | 71 |
| 36800-0210 | 26 | 42631-2900 | 22 | 50220-0211 | 57 | 52900-0092 | 31 | 62022-4002H | 88 | iL200P-24 | 42 |
| 36800-1000 | 26 | 42632-0000 | 22 | 50220-0311 | 57 | 52900-0094 | 31 | 62026-4002H | 88 | iL200P-24 | 71 |
| 36800-1010 | 26 | 42634-0000 | 22 | 50270-X011 | 57 | 53040-2003 | 77 | 62040-4002 | 88 | iL280P | 42 |
| 36900-0000 | 26 | 42730-0000 | 108 | 50270-X111 | 57 | 53040-2021 | 77 | 62040-4006 | 88 | iL280P | 71 |
| 36900-0200 | 26 | 43210-0001 | 108 | 50270-X211 | 57 | 53040-2103 | 77 | 62042-4006 | 88 | iL280P-24 | 42 |
| 36900-0210 | 26 | 43216-1000 | 108 | 50270-X311 | 57 | 53080-2001 | 77 | 63020-0012 | 87 | iL500P | 42 |
| 36900-1000 | 26 | 43670-0004 | 91 | 50320-2001 | 105 | 53080-2003 | 77 | 63022-0012 | 87 | iL500P | 71 |
| 36900-1010 | 26 | 43670-0005 | 91 | 50410-1201 | 108 | 5320-0011 | 100 | 6303-0001 | 54 | iL500P-24 | 42 |
| 36950-2000 | 26 | 43990-0013 | 91 | 50410-1251 | 108 | 5330-9001 | 101 | 6303-0003 | 54 | iL500P-24 | 71 |
| 36950-2010 | 26 | 43990-0014 | 91 | 50410-1301 | 108 | 5330-9101 | 101 | 6303-0003-P | 75 | M-1507 | 45 |
| 36950-2200 | 26 | 43990-0015 | 91 | 50410-1351 | 108 | 53S | 38 | 6303-0007 | 31 | RM1100A | 37 |
| 36950-2210 | 26 | 43990-0016 | 91 | 50410-1401 | 108 | 55S | 38 | 6303-0007 | 35 | RM1100A-24 | 37 |
| 37010-0090 | 14 | 43990-0061 | 26 | 50410-1501 | 108 | 56D | 38 | 6303-0107 | 35 | RM1500 | 37 |
| 37010-0092 | 14 | 43990-0062 | 52 | 50580-2001 | 57 | 56D-24 | 38 | 63042-1224 | 87 | RM2000 | 38 |
| 37010-0096 | 14 | 44411-0045 | 27 | 50580-2101 | 57 | 56D-32 | 38 | 63142-0012 | 91 | RM2000-24 | 38 |
| 37010-0097 | 14 | 44411-1045 | 27 | 50580-2201 | 57 | 56S | 38 | 63142-0024 | 91 | RM750A | 36 |
| 37010-1090 | 14 | 44411-2045 | 27 | 50580-2301 | 57 | 58020-1012 | 10 | 63233-1224 | 87 | RM750A-24 | 36 |
| 37010-1096 | 14 | 44412-1045 | 27 | 50580-9001 | 56 | 58020-1024 | 10 | 6400-0004 | 102 | RP280KR | 42 |
| 37040-000 | 14 | 44412-2045 | 27 | 50580-9101 | 56 | 58040-1012 | 11 | 6400-0051 | 102 | SK374-0003 | 55 |
| 37040-0000 | 14 | 45488-0000 | 61 | 50580-9201 | 56 | 58040-1012 | 10 | 6400-1051 | 110 | SK399-0101 | 72 |
| 37045-0092 | 13 | 45490-1000 | 61 | 50580-9301 | 56 | 58040-1024 | 11 | 6400-1051 | 102 | SK400-0023 | 55 |
| 37045-0094 | 13 | 45493-0000 | 61 | 50840-0012 | 76 | 58040-1024 | 10 | 64042-1007 | 90 | SK409-0003 | 77 |
| 37045-1092 | 13 | 45500-1000 | 61 | 50840-0024 | 76 | 58080-1012 | 11 | 64042-1008 | 90 | SK409-0021 | 77 |
| 37045-1094 | 13 | 45900-0000 | 92 | 50840-2012 | 76 | 58080-1012 | 11 | 64042-1009 | 90 | SK411-0001 | 77 |
| 37055-0092 | 13 | 45900-0001 | 92 | 50840-2024 | 76 | 58080-1024 | 11 | 64042-1011 | 90 | SK411-0003 | 77 |
| 37055-0094 | 13 | 45900-1000 | 92 | 50870-0012 | 76 | 58090-1000 | 11 | 64044-0000 | 87 | SK421-0000 | 72 |
| 37068-2000 | 14 | 45900-2000 | 92 | 50870-0024 | 76 | 58220-1012 | 10 | 64046-0006 | 87 | SK421-0001 | 72 |
| 37202-2012 | 75 | 45900-3000 | 92 | 50870-2012 | 76 | 58220-1024 | 10 | 64046-0007 | 87 | SK880 | 52 |
| 37202-2012 | 52 | 45900-4000 | 92 | 50870-2024 | 76 | 58240-1012 | 11 | 64046-0008 | 88 | SK880 | 74 |
| 37202-2024 | 75 | 45900-5000 | 92 | 50880-1000 | 74 | 58240-1012 | 10 | 6590-0005 | 58 | SK890 | 16 |
| 37202-2024 | 52 | 45903-0000 | 92 | 50880-1000 | 52 | 58240-1024 | 11 | 67262-0000 | 88 | SK900 | 77 |
| 37220-1010 | 27 | 45903-0001 | 92 | 50880-1100 | 74 | 58240-1024 | 10 | 67296-0000 | 88 | VR050-1122 | 72 |
| 37245-0092 | 13 | 45903-0002 | 92 | 50880-1100 | 52 | 5850-0001 | 110 | 7273-0001 | 79 | VR100-1122 | 72 |
| 37245-0094 | 13 | 45903-4000 | 92 | 50890-1000 | 16 | 58500-0012 | 9 | 7273-0003 | 55 | | |
| 37245-1092 | 13 | 45930-2012 | 92 | 50890-1100 | 16 | 58500-1012 | 9 | 7273-0003 | 79 | | |
| 37245-1094 | 13 | 45960-0000 | 92 | 50900-1000 | 77 | 58500-0024 | 9 | 7420-0004 | 102 | | |
| 37255-0092 | 13 | 45960-0001 | 92 | 50900-1100 | 77 | 58500-1024 | 9 | 7420-1001 | 110 | | |
| 37255-0094 | 13 | 45DR | 64 | 51200-2011 | 59 | 5929-0001 | 79 | 7420-1001 | 102 | | |
| 37A | 44 | 46200-0000 | 53 | 51200-9013 | 58 | 5929-0003 | 79 | 777-0001 | 102 | | |
| 37FA | 44 | 46200-0010 | 53 | 51220-0011 | 59 | 59400-0012 | 60 | 777-0003 | 102 | | |
| 38110-0092 | 18 | 46400-0000 | 17 | 51270-0011 | 59 | 59400-0024 | 60 | 777-9001 | 102 | | |
| 38110-0094 | 18 | 46400-0000 | 29 | 51270-2011 | 59 | 59407-1000 | 60 | 777-9003 | 102 | | |
| 38210-0012 | 17 | 46400-0002 | 29 | 51270-9013 | 58 | 59451-0012 | 25 | 777-9051 | 102 | | |
| 38210-0024 | 17 | 46400-0003 | 27 | 51510-2001 | 107 | 59451-0024 | 25 | 90197-0000 | 13 | | |
| 38220-0012 | 17 | 46400-0004 | 27 | 51510-9001 | 107 | 59451-1012 | 25 | 90200-0001 | 70 | | |
| 38220-0024 | 17 | 46400-0010 | 27 | 51520-2001 | 106 | 59451-1024 | 25 | 90201-0000 | 70 | | |
| 38230-0012 | 17 | 46400-0012 | 27 | 51520-9001 | 106 | 59510-0012 | 76 | 9200-0023 | 69 | | |
| 38230-0024 | 17 | 46400-0014 | 27 | 51580-2001 | 59 | 59520-0000 | 76 | 9200-0023 | 68 | | |
| 3890-9011 | 101 | 46400-0375 | 27 | 51580-9001 | 58 | 59530-0000 | 76 | 9200-0023-P | 68 | | |
| 39-24 | 45 | 46400-9500 | 27 | 51S | 37 | 60000-0000 | 90 | 9700-01 | 113 | | |
| 401C | 64 | 46DR | 64 | 52040-2001 | 106 | 60000-0024 | 90 | 9710-200 | 105 | | |
| 401C | 64 | 4732-0000 | 61 | 52200-2011 | 105 | 60010-2012 | 89 | 98024-0000 | 69 | | |
| 401FC | 64 | 47DR | 64 | 52220-0011 | 104 | 60010-2024 | 89 | 98040-0520 | 88 | | |
| 403C | 64 | 49PWC | 39 | 52270-0011 | 104 | 60020-0000 | 89 | 98A | 75 | | |
| 403C | 64 | 50070-0040 | 133 | 52270-2011 | 104 | 60020-0024 | 89 | 98A-24 | 75 | | |
| 403FC | 64 | 50070-0080 | 133 | 52580-2001 | 105 | 60080-0012 | 89 | 9970-200 | 113 | | |
| 405C | 64 | 50070-0200 | 133 | 52580-9001 | 103 | 60080-0024 | 89 | A53D | 80 | | |
| 405C | 64 | 50095-1000 | 75 | 52600-0092 | 23 | 60233-0012 | 87 | A53S | 80 | | |
| 405FC | 64 | 50095-1000 | 52 | 52600-0094 | 23 | 60233-0024 | 87 | A53S-24 | 80 | | |
| 40A | 44 | 50200-2011 | 57 | 52600-0292 | 23 | 6050-0003 | 79 | H53SP-24 | 80 | | |
| 40FA | 44 | 50200-2111 | 57 | 52600-0294 | 23 | 6050-0013 | 79 | iD20 | 78 | | |

Discover Jabsco on the World Wide Web

Find comprehensive details on all our products including their technical specifications. The site gives you 24 hour access to all the information you need, faster, cheaper and at a time that suits you.

- Comprehensive Search facility to speed up location of the required product.
- Get full technical data by clicking through the links for each category and product area.
- Many exploded diagrams are available to assist in identifying parts.
- Technical data sheets in PDF format for downloading.
- Easy to use Distributor locator.
- Support centre to help specify pumps and diagnose problems.

Jabsco is part of ITT's Flow Control Group, which also includes Rule and LVM. More information about these brands can be found at:

www.rule-industries.com

www.lvm-ltd.com