

# DS18 HYDRO



#WELIKEITLOUD

MARINE | JEEP | POWERSPORTS



# DS18

MARINE | JEEP | POWERSPORTS



*Navigate with confidence blasting your favorite tunes, DS18 uses top quality materials to guarantee excellence, durability, consistency and maximum performance.*

# HYDRO

Created and developed by a team of young and determined professionals who understand the needs of the demanding audio industry, DS18 is a leading electronics manufacturer of Mobile, Marine & Home Electronic equipment with its headquarters in Miami, FL, USA.

DS18's Hydro consists of IPX65 rated products that endure the tough conditions of the marine environment. From LED lights to subwoofers and driver towers, all our line is tested with high standard procedures that simulate exposure of real life circumstances to deliver our customers years of trouble-free enjoyment.

▲▲ **FOR ALL ELEMENTS** ≡



**HYDRO-65**



**WHITE 6.5" 2-WAY WHITE MARINE SPEAKER (PAIR)**

**HYDRO-65BK**



**BLACK 6.5" 2-WAY BLACK MARINE SPEAKER (PAIR)**

- 6.5" 2-Way Marine Speaker
- Frequency: 65-20KHz
- Sensitivity: 89dB/W/M
- 100 Watts RMS Power
- 380 Watts MAX Power
- Magnet: 10oz
- Voice Coil: 25mm
- Woofer: Injection Cone
- Midrange and Tweeter: 35mm Mylar Dome Tweeter



**NXL6**



**WHITE MARINE, ATV / UTV & JEEPS  
6.5" 2-WAY SPEAKER SYSTEM WITH RGB LED LIGHT (PAIR)**

**NXL6BK**



**MATTE BLACK MARINE, ATV / UTV & JEEPS  
6.5" 2-WAY SPEAKER SYSTEM WITH RGB LED LIGHT (PAIR)**

- Integrated RGB LED Lighting
- Continuous Power Handling 100W RMS
- Peak Music Power 300W MAX
- Magnet Sensitivity: 91dB at 1W/1M
- Nominal Impedance: 4 ohm
- Mounting Depth: 2.52"/64mm
- Cut-out Diameter: 5.39"/137mm
- Over-All Diameter: 6.93"/176mm
- Over-all Height: 3.7"/94mm
- 25mm Titanium Dome PEI Surround Tweeter
- IP65 Marine Grade Compliant Specifications, 100% UV Stable
- High Temp Injection Molded Composite
- High Gloss Basket With UV Coating
- High Gloss Injection Molded Composite
- ASA Grills With UV Coating
- Motor Structure Use Y35 Ferrite Main Magnet & Reverse Neodymium Magnet



**NXL8**



**WHITE MARINE, ATV / UTV & JEEPS  
8" 2-WAY SPEAKER SYSTEM WITH RGB LED LIGHT (PAIR)**

**NXL8BK**



**MATTE BLACK MARINE, ATV / UTV & JEEPS  
8" 2-WAY SPEAKER SYSTEM WITH RGB LED LIGHT (PAIR)**

- Integrated RGB LED Lighting
- Continuous Power Handling 125W RMS
- Peak Music Power 375W MAX
- Magnet Sensitivity: 93dB at 1W/1M
- Nominal Impedance: 4 ohm
- Mounting Depth: 3.11"/79mm
- Cut-Out Diameter: 7.09"/180mm
- Over-All Diameter: 8.58"/218mm
- Over-All Height: 4.45"/113mm
- 25mm Titanium Dome PEI Surround Tweeter
- IP65 Marine Grade Compliant Specifications, 100% UV Stable
- High Temp Injection Molded Composite
- High Gloss Basket With UV Coating
- High Gloss Injection Molded Composite
- ASA Grills With UV Coating
- Motor Structure Use Y35 Ferrite Main Magnet & Reverse Neodymium Magnet



**CF65**



**CARBON FIBER MARINE & ATV/UTV  
6.5" 2-WAY SPEAKER SYSTEM WITH RGB LED LIGHT (PAIR)**

- Continuous Power Handling 125 Watts RMS
- Peak Music Power 375 Watts MAX
- Integrated RGB LED Lighting
- Sensitivity: 91dB at 1W/1M
- Nominal Impedance: 4 ohm
- Mounting Depth: 2.52" / 64mm
- Cut-Out Diameter: 5.39" / 137mm
- Over-All Diameter: 6.93" / 176mm
- Over-All Height: 3.7" / 94mm
- IP65 Marine Grade Compliant Specifications, 100% UV Stable
- 25mm Titanium Dome PEI Surround Tweeter
- High Temp Injection Molded Composite
- High Gloss Basket With UV Coating
- Black Carbon Fiber Texture with 316 Metal Mesh
- Motor Structure Use Y35 Ferrite Main Magnet & Reverse Neodymium Magnet



**CF8**



**CARBON FIBER MARINE & ATV/UTV  
8" 2-WAY SPEAKER SYSTEM WITH RGB LED LIGHT (PAIR)**

- Continuous Power Handling 150 Watts RMS
- Peak Music Power 450 Watts MAX
- Integrated RGB LED Lighting
- Sensitivity: 93dB at 1W/1M
- Nominal Impedance: 4 ohm
- Mounting Depth: 3.11" / 79mm
- Cut-Out Diameter: 7.09"/180mm
- Over-All Diameter: 8.58"/218mm
- Over-All Height: 4.45"/113mm
- Carbon Fiber Texture with 316 Metal Mesh
- 25mm Titanium Dome PEI Surround Tweeter
- High Temp Injection Molded Composite
- High Gloss Basket With UV Coating
- Motor Structure Use Y35 Ferrite Main Magnet & Reverse Neodymium Magnet
- IP65 Marine Grade Compliant Specifications, 100% UV Stable



**NXL-PS6R**



**RED HYDRO 6.5" WAKEBOARD POD TOWER SPEAKER WITH RGB LED LIGHT (PAIR)**

**NXL-PS6W**



**WHITE HYDRO 6.5" WAKEBOARD POD TOWER SPEAKER WITH RGB LED LIGHT (PAIR)**

**NXL-PS6BK**



**MATTE BLACK HYDRO 6.5" WAKEBOARD POD TOWER SPEAKER WITH RGB LED LIGHT (PAIR)**

**CF-PS6**



**CARBON FIBER HYDRO 6.5" WAKEBOARD POD TOWER SPEAKER WITH RGB LED LIGHT (PAIR)**

**PAIR 6.5" 300W MAX - 100W RMS - 4 OHMS**

- IP65 Marine-Grade Compliant
- 6 Core Wires for Lighting and Speaker
- Coax Separate Floating Design
- 360-Degree Rotation Mounting Clamps
- UV-Compliant
- High Temp Injection Molded Composite High Gloss Basket
- High Gloss Injection Molded ASA Grill Black/White
- High Density Plastic Molded with Color Injected
- Light Weight and Strong Material
- Sensitivity 91 dB
- 1" Titanium Dome PEI Surround Tweeter Die-Cast Solid Aluminum
- Frequency Response 65Hz-23KHz
- Motor Structure Use Y35 Ferrite Main Magnet & Reverse Neodymium Magnet
- Front Logo & Back Cover is Rotatable Only when flat Mounting can be adjusted



**NXL-PS8R**



**RED HYDRO 8" WAKEBOARD POD TOWER SPEAKER WITH RGB LED LIGHT (PAIR)**

**NXL-PS8W**



**WHITE HYDRO 8" WAKEBOARD POD TOWER SPEAKER WITH RGB LED LIGHT (PAIR)**

**NXL-PS8BK**



**MATTE BLACK HYDRO 8" WAKEBOARD POD TOWER SPEAKER WITH RGB LED LIGHT (PAIR)**

**CF-PS8**



**CARBON FIBER HYDRO 8" WAKEBOARD POD TOWER SPEAKER WITH RGB LED LIGHT (PAIR)**

**PAIR 8" 375W MAX - 125W RMS - 4 OHMS**

- IP65 Marine-Grade Compliant
- 6 Core Wires for Lighting and Speaker
- Coax Separate Floating Design
- 360-Degree Rotation Mounting Clamps
- UV-Compliant
- High Temp Injection Molded Composite High Gloss Basket
- High Gloss Injection Molded ASA Grill Black/White
- High Density Plastic Molded with Color Injected
- Light Weight and Strong Material
- Sensitivity 93 dB
- 1" Titanium Dome PEI Surround Tweeter Die-Cast Solid Aluminum
- Frequency Response 55Hz-23KHz
- Motor Structure Use Y35 Ferrite Main Magnet & Reverse Neodymium Magnet
- Front Logo & Back Cover is Rotatable Only when flat Mounting can be adjusted



**NXL-6UTVR**



**RED HYDRO 6.5" SLIM WAKEBOARD POD TOWER 300W SPEAKER WITH RGB LED LIGHTS (PAIR)**

**NXL-6UTVW**



**WHITE HYDRO 6.5" SLIM WAKEBOARD POD TOWER 300W SPEAKER WITH RGB LED LIGHTS (PAIR)**

**NXL-6UTVBK**



**MATTE BLACK HYDRO 6.5" SLIM WAKEBOARD POD TOWER 300W SPEAKER WITH RGB LED LIGHTS (PAIR)**

**PAIR 6.5" 300W MAX - 100W RMS - 4 OHMS**

- IP65 Marine-Grade Compliant
- 6 Core Wires for Lighting and Speaker
- Coax Separate Floating Design
- 360-Degree Rotation Mounting Clamps
- UV-Compliant
- High Temp Injection Molded Composite High Gloss Basket
- High Gloss Injection Molded ASA Grill Black/White
- Sensitivity 91 dB
- 1" Titanium Dome PEI Surround Tweeter

- Die-Cast Solid Aluminum
- Frequency Response 65Hz-23KHz
- Motor Structure Use Y35 Ferrite Main Magnet & Reverse Neodymium Magnet
- Front Logo & Back Cover is Rotatable Only when flat Mounting can be adjusted
- 3 Size NBR Fitting Pads (2"; 1.75"; 1.5)

**NXL-6UTVBK:**

- PE Plastic 6-8mm Thick with Strong Black Sand Texture Enclosure
- Injection Grill with Black Matt Painted



**NXL-8UTVR**



**RED HYDRO 8" SLIM WAKEBOARD POD TOWER 375W SPEAKER WITH RGB LED LIGHTS (PAIR)**

**NXL-8UTVW**



**WHITE HYDRO 8" SLIM WAKEBOARD POD TOWER 375W SPEAKER WITH RGB LED LIGHTS (PAIR)**

**NXL-8UTVBK**



**MATTE BLACK HYDRO 8" SLIM WAKEBOARD POD TOWER 375W SPEAKER WITH RGB LED LIGHTS (PAIR)**

**PAIR 8" 375W MAX - 125W RMS - 4 OHMS**

- IP65 Marine-Grade Compliant
- 6 Core Wires for Lighting and Speaker
- Coax Separate Floating Design
- 360-Degree Rotation Mounting Clamps
- UV-Compliant
- High Temp Injection Molded Composite, High Gloss Basket.
- High Gloss Injection Molded ASA Grill Black/White
- Sensitivity 93 dB
- 1" Titanium Dome PEI Surround Tweeter

- Die-Cast Solid Aluminum
- Frequency Response 55Hz-23KHz
- Motor Structure Use Y35 Ferrite Main Magnet & Reverse Neodymium Magnet
- Front Logo & Back Cover is Rotatable Only when flat Mounting can be adjusted
- 3 size NBR Fitting Pads (2"; 1.75"; 1.5)

**NXL-8UTVBK:**

- PE Plastic 6-8mm Thick with Strong Black Sand Texture Enclosure
- Injection Grill with Black Matt Painted



**CF-6UTV**



**CARBON FIBER HYDRO 6.5" SLIM WAKEBOARD POD TOWER SPEAKER WITH INTEGRATED RGB LED LIGHTS (PAIR)**

**PAIR 6.5" 375W MAX - 125W RMS**

- IP65 Marine-Grade Compliant
- 6 Core Wires for Lighting and Speaker
- Coax Separate Floating Design
- 1" Titanium Dome PEI Surround Tweeter
- Die-Cast Solid Aluminum
- 360-Degree Rotation Mounting Clamps
- UV-Compliant
- Sensitivity 91 dB
- Frequency Response 65Hz-23KHz

- High Gloss Injection Molded Composite, Black Carbon Fiber Texture basket and Grill with 316 metal Mesh
- Motor Structure Use Y35 Ferrite Main Magnet & Reverse Neodymium Magnet
- Front Logo & Back Cover is Rotatable Only when flat Mounting can be adjusted
- 3 Size NBR Fitting Pads (2"; 1.75"; 1.5)

**CF-8UTV**



**CARBON FIBER HYDRO 8" SLIM WAKEBOARD POD TOWER SPEAKER WITH INTEGRATED RGB LED LIGHTS (PAIR)**

**PAIR 8" 450W MAX - 150W RMS - 4 OHMS**

- IP65 Marine-Grade Compliant
- 6 Core Wires for Lighting and Speaker
- Coax Separate Floating Design
- 1" Titanium Dome PEI Surround Tweeter
- Die-Cast Solid Aluminum
- 360-Degree Rotation Mounting Clamps
- UV-Compliant
- Sensitivity 93 dB
- Frequency Response 55Hz-23KHz

- High Gloss Injection Molded Composite, Black Carbon Fiber Texture basket and Grill with 316 metal Mesh
- Motor Structure Use Y35 Ferrite Main Magnet & Reverse Neodymium Magnet
- Front Logo & Back Cover is Rotatable Only when flat Mounting can be adjusted
- 3 Size NBR Fitting Pads (2"; 1.75"; 1.5)



**NXL6TPR**



**RED HYDRO 6.5" WAKEBOARD POD TOWER SPEAKER WITH RGB LED LIGHT (PAIR)**

**NXL6TPW**



**WHITE HYDRO 6.5" WAKEBOARD POD TOWER SPEAKER WITH RGB LED LIGHT (PAIR)**

**NXL6TPBK**



**MATTE BLACK HYDRO 6.5" WAKEBOARD POD TOWER SPEAKER WITH RGB LED LIGHT (PAIR)**

**PAIR 6.5" 300W MAX - 100W RMS - 4 OHMS**

- IP65 Marine-Grade Compliant
- 6 Core Wires for Lighting and Speaker
- Coax Separate Floating Design
- 360-Degree Rotation Mounting Clamps
- UV-Compliant Polypropylene Cone
- High Temp Injection Molded Composite, High Gloss Basket.
- High Gloss, ASA Grill Injection Molded, Black/White
- Sensitivity 93 dB
- 1" Titanium Dome PEI Surround Tweeter

- Die-Cast Solid Aluminum
- Frequency Response 55Hz-23KHz
- Motor Structure Use Y35 Ferrite Main Magnet & Reverse Neodymium
- Magnet Front Logo & Back Cover is Rotatable (Only when flat Mounting can be adjusted)
- 3 Size NBR Fitting Pads (2"; 1.75"; 1.5)

**NXL6TPBK:**

- PE Plastic 6-8mm Thick with Strong Black Sand Texture Enclosure
- Injection Grill with Black Matt PAinted



**NXL8TPR**



**RED HYDRO 8" WAKEBOARD POD TOWER SPEAKER WITH RGB LED LIGHT (PAIR)**

**NXL8TPW**



**WHITE HYDRO 8" WAKEBOARD POD TOWER SPEAKER WITH RGB LED LIGHT (PAIR)**

**NXL8TPBK**



**MATTE BLACK HYDRO 8" WAKEBOARD POD TOWER SPEAKER WITH RGB LED LIGHT (PAIR)**

**PAIR 8" 375W MAX - 125W RMS - 4 OHMS**

- IP65 Marine-Grade Compliant
- 6 Core Wires for Lighting and Speaker
- Coax Separate Floating Design
- 360-Degree Rotation Mounting Clamps
- UV-Compliant
- High Temp Injection Molded Composite, High Gloss Basket.
- High Gloss Injection Molded ASA Grill Black/White
- Sensitivity 93 dB
- 1" Titanium Dome PEI Surround Tweeter
- Die-Cast Solid Aluminum

- Frequency Response 55Hz-23KHz
- Motor Structure Use Y35 Ferrite Main Magnet & Reverse Neodymium
- Magnet Front Logo & Back Cover is Rotatable (Only when flat Mounting can be adjusted)
- 3 Size NBR Fitting Pads (2"; 1.75"; 1.5)

**NXL8TPBK:**

- PE Plastic 6-8mm Thick with Strong Black Sand Texture Enclosure
- Injection Grill with Black Matt PAinted





**CF6TP**



**CARBON FIBER HYDRO 6.5" WAKEBOARD POD TOWER SPEAKER WITH RGB LED LIGHTS (PAIR)**

**PAIR 6.5" 350W MAX - 125W RMS**

- IP65 Marine-Grade Compliant
- 6 Core Wires for Lighting and Speaker
- Coax Separate Floating Design
- 1" Titanium Dome PEI Surround Tweeter Die-Cast Solid Aluminum
- 360-Degree Rotation Mounting Clamps
- UV-Compliant
- High Gloss Injection Molded Composite, Black Carbon Fiber Texture basket and Grill with 316 metal Mesh
- Sensitivity 91 dB
- Frequency Response 65Hz-23KHz
- Motor Structure Use Y35 Ferrite Main Magnet & Reverse Neodymium Magnet
- Front Logo & Back Cover is Rotatable Only when flat Mounting can be adjusted
- 3 Size NBR Fitting Pads (2"; 1.75"; 1.5)

**CF8TP**



**CARBON FIBER HYDRO 8" WAKEBOARD POD TOWER SPEAKER WITH RGB LED LIGHTS (PAIR)**

**PAIR 8" 425W MAX -150W RMS - 4 OHMS**

- IP65 Marine-Grade Compliant
- 6 Core Wires for Lighting and Speaker
- Coax Separate Floating Design
- 1" Titanium Dome PEI Surround Tweeter Die-Cast Solid Aluminum
- 360-Degree Rotation Mounting Clamps
- UV-Compliant
- High Gloss Injection Molded Composite, Black Carbon Fiber Texture basket and Grill with 316 metal Mesh
- Sensitivity 93 dB
- Frequency Response 55Hz-23KHz
- Motor Structure Use Y35 Ferrite Main Magnet & Reverse Neodymium Magnet
- Front Logo & Back Cover is Rotatable Only when flat Mounting can be adjusted
- 3 Size NBR Fitting Pads (2"; 1.75"; 1.5)



**NXL6TPR/NS**



**RED HYDRO 6.5" WAKEBOARD POD TOWER WITH INTEGRATED RGB LED LIGHTS (SINGLE) (NO SPEAKERS)**

**NXL6TPW/NS**



**WHITE HYDRO 6.5" WAKEBOARD POD TOWER WITH INTEGRATED RGB LED LIGHTS (SINGLE) (NO SPEAKERS)**

**NXL6TPBK/NS**



**MATTE BLACK HYDRO 6.5" WAKEBOARD POD TOWER WITH INTEGRATED RGB LED LIGHTS (SINGLE) (NO SPEAKERS)**

**NXL8TPR/NS**



**RED HYDRO 8" WAKEBOARD POD TOWER WITH INTEGRATED RGB LED LIGHTS (SINGLE) (NO SPEAKERS)**

**NXL8TPW/NS**



**WHITE HYDRO 8" WAKEBOARD POD TOWER WITH INTEGRATED RGB LED LIGHTS (SINGLE) (NO SPEAKERS)**

**NXL8TPBK/NS**



**MATTE BLACK HYDRO 8" WAKEBOARD POD TOWER WITH INTEGRATED RGB LED LIGHTS (SINGLE) (NO SPEAKERS)**

**CF6TPNS**



**CARBON FIBER HYDRO 6.5" WAKEBOARD POD TOWER WITH INTEGRATED RGB LED LIGHTS (SINGLE) (NO SPEAKERS)**

**CF8TPNS**



**CARBON FIBER HYDRO 8" WAKEBOARD POD TOWER WITH INTEGRATED RGB LED LIGHTS (SINGLE) (NO SPEAKERS)**

- IP65 Marine Grade Compliant Specifications
- 00% UV Stable
- High temperature injection molded composite basket and grills with UV coating
- Adjustable mounting angles with 360 degree rotation
- Adapters included to mount on different size poles
- Flat Mount Optional

**NXL6TPWNEO**



**WHITE HIGH END HYDRO 6.5" WAKEBOARD POD TOWER SPEAKER WITH 1" DRIVER AND RGB LED LIGHT (PAIR)**

**NXL6TPBNEO**



**MATTE BLACK HIGH END HYDRO 6.5" WAKEBOARD POD TOWER SPEAKER WITH 1" DRIVER AND RGB LED LIGHT (PAIR)**

**PAIR 6.5" 450W MAX - 150W RMS - 4 OHMS**

- IP65 Marine-Grade Compliant
- 6 Core Wires for Lighting and Speaker
- Coax Separate Floating Design
- 360-Degree Rotation Mounting Clamps
- UV-Compliant
- High Temp Injection Molded Composite, High Gloss Basket.
- High Gloss Injection Molded ASA Grill Black/White
- Sensitivity 93 dB
- Coax Design 1" VC Titanium Dome
- Compression Driver With Full Ferrofluid
- Frequency Response 70Hz-21KHz
- Motor Structure Use N40H Neodymium Magnet
- Front Logo & Back Cover is Rotatable (Only when flat Mounting can be adjusted)
- 3 Size NBR Fitting Pads (2"; 1.75"; 1.5)

**NXL6TPBNEO:**

- PE Plastic 6-8mm Thick with Strong Black Sand Texture Enclosure
- Injection Grill with Black Matt Painted



**NXL8TPWNEO**



**WHITE HIGH END HYDRO 8" WAKEBOARD POD TOWER SPEAKER WITH 1" DRIVER AND RGB LED LIGHT (PAIR)**

**NXL8TPBNEO**



**MATTE BLACK HIGH END HYDRO 8" WAKEBOARD POD TOWER SPEAKER WITH 1" DRIVER AND RGB LED LIGHT (PAIR)**

**PAIR 8" 550W MAX - 180W RMS - 4 OHMS**

- IP65 Marine-Grade Compliant
- 6 Core Wires for Lighting and Speaker
- Coax Separate Floating Design
- 360-Degree Rotation Mounting Clamps
- UV-Compliant
- High Temp Injection Molded Composite, High Gloss Basket.
- High Gloss Injection Molded ASA Grill Black/White
- Sensitivity 95 dB
- Coax Design 1.5" VC Titanium Dome
- Compression Driver With Full Ferrofluid
- Frequency Response 60Hz-21KHz
- Motor Structure Use N40H Neodymium Magnet
- Front Logo & Back Cover is Rotatable (Only when flat Mounting can be adjusted)
- 3 Size NBR Fitting Pads (2"; 1.75"; 1.5)

**NXL8TPBNEO:**

- PE Plastic 6-8mm Thick with Strong Black Sand Texture Enclosure
- Injection Grill with Black Matt Painted



**CF6TPBNEO**



**CARBON FIBER HYDRO 6.5" WAKEBOARD POD TOWER SPEAKER WITH RGB LED LIGHT (PAIR)**

**PAIR 6.5" 450W MAX - 150W RMS - 4 OHMS**

- IP65 Marine-Grade Compliant
- 6 Core Wires for Lighting and Speaker
- Coax Separate Floating Design
- 360-Degree Rotation Mounting Clamps
- UV-Compliant
- High Temp Injection Molded Composite, High Gloss Basket.
- High Gloss Injection Molded ASA Grill Black/White
- Sensitivity 93 dB
- Coax Design 1" VC Titanium Dome
- Compression Driver With Full Ferrofluid
- Frequency Response 70Hz-21KHz
- Motor Structure Use N40H Neodymium Magnet
- Front Logo & Back Cover is Rotatable (Only when flat Mounting can be adjusted)
- 3 Size NBR Fitting Pads (2"; 1.75"; 1.5)

**CF8TPBNEO**



**CARBON FIBER HYDRO 8" WAKEBOARD POD TOWER SPEAKER WITH RGB LED LIGHT (PAIR)**

**PAIR 8" 550W MAX - 180W RMS - 4 OHMS**

- IP65 Marine-Grade Compliant
- 6 Core Wires for Lighting and Speaker
- Coax Separate Floating Design
- 360-Degree Rotation Mounting Clamps
- UV-Compliant
- High Temp Injection Molded Composite, High Gloss Basket.
- High Gloss Injection Molded ASA Grill Black/White
- Sensitivity 95 dB
- Coax Design 1.5" VC Titanium Dome
- Compression Driver With Full Ferrofluid
- Frequency Response 60Hz-21KHz
- Motor Structure Use N40H Neodymium Magnet
- Front Logo & Back Cover is Rotatable (Only when flat Mounting can be adjusted)
- 3 Size NBR Fitting Pads (2"; 1.75"; 1.5)



**NXL-DTR**



**RED HYDRO 1.75" DRIVER WAKEBOARD POD TOWER SPEAKER WITH INTEGRATED RGB LED LIGHTS**

**NXL-DTW**



**WHITE HYDRO 1.75" DRIVER WAKEBOARD POD TOWER SPEAKER WITH INTEGRATED RGB LED LIGHTS**

**NXL-DTBK**



**MATTE BLACK HYDRO 1.75" DRIVER WAKEBOARD POD TOWER SPEAKER WITH INTEGRATED RGB LED LIGHTS**

**RED, WHITE OR MATTE BLACK ENCLOSURE - 900W MAX - 300W RMS - 4 OHMS**

- Sensitivity: 110 dB
  - 18dB Crossover with Temperature Switch
  - Ferro Fluid that Cools Down the Voice Coil and Increases Sensitivity
  - IP65 Marine-Grade Compliant
  - Motor Structure use Y35 Ferrite Magnet
  - 6 Core Wires for Lighting and Driver with integrated LED-RGB Lighting Speaker
  - RF/BT or WiFi Remote LED Controller for Multi-Function RGB LED Lighting (optional)
  - Die-Cast Solid Aluminum 360-Degree Rotation Mounting Clamps
  - Full Rounded Buried Wire or Open Wire Mounting (Optional)
  - Included (1.5",1.75",2") NBR Pad UV Compliant High Gloss, High Polymer with Resin and Fiberglass Composite Body
  - Front Logo & Back Cover are Rotatable (Only when flat mounting can be adjusted)
- NXL-DTBK:**
- PE Plastic 6-8mm Thick with Strong Black Sand Texture Enclosure
  - Injection Grill with Black Matt Painted



**CF-DT**



**CARBON FIBER HYDRO 1.75" DRIVER WAKEBOARD POD TOWER SPEAKER WITH INTEGRATED RGB LED LIGHTS**

**CARBON FIBER ENCLOSURE - 900W MAX - 300W RMS - 4 OHMS**

- Sensitivity: 110 dB
- 18dB Crossover with Temperature Switch
- Ferro Fluid that Cools Down the Voice Coil and Increases Sensitivity
- IP65 Marine-Grade Compliant
- Motor Structure use Y35 Ferrite Magnet
- 6 Core Wires for Lighting and Driver with integrated LED-RGB Lighting Speaker
- RF/BT or WiFi Remote LED Controller for Multi-Function RGB LED Lighting (optional)
- Die-Cast Solid Aluminum 360-Degree Rotation Mounting Clamps
- Full Rounded Buried Wire or Open Wire Mounting (Optional)
- Included (1.5",1.75",2") NBR Pad UV Compliant High Gloss, High Polymer with Resin and Fiberglass Composite Body
- Front Logo & Back Cover are Rotatable (Only when flat mounting can be adjusted)



**NXL-62TDR**



RED HYDRO 6.5" DOUBLE WAKEBOARD POD TOWER SPEAKER WITH 1.35" DRIVER AND RGB LED LIGHTS

**NXL-62TDW**



WHITE HYDRO 6.5" DOUBLE WAKEBOARD POD TOWER SPEAKER WITH 1.35" DRIVER AND RGB LED LIGHTS

**NXL-62TDBK**



MATTE BLACK HYDRO 6.5" DOUBLE WAKEBOARD POD TOWER SPEAKER WITH 1.35" DRIVER AND RGB LED LIGHTS

**CF-62TD**



CARBON FIBER HYDRO 6.5" DOUBLE WAKEBOARD POD TOWER SPEAKER WITH 1.35" DRIVER AND RGB LED LIGHTS 750 WATTS

RED, WHITE, MATTE BLACK OR CARBON FIBER ENCLOSURE  
6.5" 750W MAX - 250W RMS - 4 OHMS - SENSITIVITY 94 dB

- 1.35" Titanium Diaphragm Compression Driver
- 18 dB Crossover with Ferrofluid Temperature Switch to Cool Down Voice Coil and Increase Sensitivity
- Die-Cast Solid Aluminum Mounting Clamps, Full Rounded Buried Wire or Open Wire Mounting
- Included (1.5", 1.75", 2") NBR Pad
- Included (2.25", 2.5", 2.75") NBR Pad
- IP65 Marine-Grade Compliant
- UV-Compliant High Gloss; High Polymer with Resin and Fiberglass Composite;
- Injection Molded UV-Compliant; Polypropylene Cone
- Motor Structure with Y35 Ferrite Main Magnet and Reverse Neodymium Magnet
- Integrated LED-RGB Speaker Lighting
- 6 Core Wires for Lighting and Speaker
- RF/BT or WiFi Remote LED Controller for Multi-Function RGB LED Lighting (optional)



**NXL-82TDR**



RED HYDRO 8" DOUBLE WAKEBOARD POD TOWER SPEAKER WITH 1.35" DRIVER AND INTEGRATED RGB LED LIGHTS

**NXL-82TDW**



WHITE HYDRO 8" DOUBLE WAKEBOARD POD TOWER SPEAKER WITH 1.35" DRIVER AND INTEGRATED RGB LED LIGHTS

**NXL-82TDBK**



MATTE BLACK HYDRO 8" DOUBLE WAKEBOARD POD TOWER SPEAKER WITH 1.35" DRIVER AND INTEGRATED RGB LED LIGHTS

**CF-82TD**



CARBON FIBER HYDRO 8" DOUBLE WAKEBOARD POD TOWER SPEAKER WITH 1.35" DRIVER AND INTEGRATED RGB LED LIGHTS

RED, WHITE, MATTE BLACK OR CARBON FIBER ENCLOSURE  
8" 900W MAX - 300W RMS - 4 OHMS - SENSITIVITY 97 dB

- 1.35" Titanium Diaphragm Compression Driver
- 18 dB Crossover with Ferrofluid Temperature Switch to Cool Down Voice Coil and Increase Sensitivity
- Die-Cast Solid Aluminum Mounting Clamps, Full Rounded Buried Wire or Open Wire Mounting
- Included (1.5", 1.75", 2") NBR Pad
- Included (2.25", 2.5", 2.75") NBR Pad
- IP65 Marine-Grade Compliant
- UV-Compliant High Gloss; High Polymer with Resin and Fiberglass Composite;
- Injection Molded UV-Compliant; Polypropylene Cone
- Motor Structure with Y35 Ferrite Main Magnet and Reverse Neodymium Magnet
- Integrated LED-RGB Speaker Lighting
- 6 Core Wires for Lighting and Speaker
- RF/BT or WiFi Remote LED Controller for Multi-Function RGB LED Lighting (optional)







FRONT



BACK:  
10" Passive  
Radiation For  
Bass Boost

**NXL10SUBLD**



WHITE MARINE & MOTORSPORTS 10" SUBWOOFER BOX LOADED

**NXL10SUBLD-BK**



BLACK MARINE & MOTORSPORTS 10" SUBWOOFER BOX LOADED

10" 700W MAX - 350W RMS - 4 OHMS

- 10" Subwoofer Box Loaded for Marine, Jeeps & Motorsports
- 10" Passive Radiation For Bass Boost
- Continuous Power Handling: 350 Watts RMS
- Peak Music Power: 700 Watts MAX
- Frequency Response: 35Hz - 1.2KHz +/- 3dB
- Sensitivity: 87dB 1W/1M
- Nominal Impedance: 4 OHMS
- IP65 Marine Grade Compliant Specifications, 100% UV Stable

- PE Plastic Box Waterproof
- Integrated RGB LED Lighting
- High Temp injection Molded Composite PC Basket
- Injection Molded, UV Compliant, Polypropylene Cone, Butyl Surround
- RF Remote LED Controller or WiFi Controller and BT App (LED-BTC) for Multi-Function RGB LED Lighting (Sold Separately)

- High Temp Injection Molded Composite Grilles
- Black Matte Painting (NXL10SUBLD-BK) / White
- UV Coating (NXL10SUBLD-WH) with 316 Metal Mesh
- Motor Structure Use Y35 Ferrite Magnet
- Over-All Depth: 13.65"/347mm
- Over-All Width: 14.17"/360mm
- Over-All Height: 12.6"/320mm

**NXL10SUB**



WHITE MARINE, ATV / UTV & JEEPS 10" SUBWOOFER WITH RGB LED LIGHT

**CF10SUB**



CARBON FIBER, ATV / UTV & JEEPS MARINE 10" SUBWOOFER WITH RGB LED LIGHT

10" 600W MAX - 300W RMS - 4 OHMS

- Continuous Power Handling 300 Watts RMS
- Peak Music Power 600 Watts MAX
- Gloss Basket with UV Coating
- Sensitivity: 89dB
- Nominal Impedance: 4 ohms
- Mounting Depth: 5.02" / 127.5 mm
- Cut-Out Diameter: 8.78" / 223 mm
- Over-All Diameter: 10.75" / 273 mm

- Over-All Height: 6.71" / 170.5 mm
- Over-All Height: 6.71" / 170.5 mm
- IP65 Marine Grade Compliant Specifications, 100% UV Stable
- Integrated RGB LED Lighting
- High Temp Injection Molded Composite
- Motor Structure Use Y35 Ferrite Main Magnet
- Grills and Black Carbon Fiber Texture with 316 Metal Mesh



**LED-BTC**



VISION LED BLUETOOTH CONTROL (WORKS WITH ANDROID AND IPHONE)

The LED-BTC Is An App-Based, Bluetooth Solution For RGB LED Lighting Control. The Applications Are Truly Limitless, Lending To All Types Of Environments Whether Wet or Dry.

- BT 4.0 (Faster speed & longer range)
- iOS - Connect up to 7 controllers
- Android - Connect up to 4 controllers 5 amps of lighting
- Waterproof IP65 rated
- 12 volt applications



WORK WITH  
ANDROID AND  
IPHONE

**SBAR25**



**HYDR0 25" 2-WAY SOUND BAR WATERPROOF SPEAKER SYSTEM WITH INTEGRATED RGB LED LIGHT**

- For ATV / UTV, Golf Carts & Jeeps
- 25" Waterproof Sound Bar Speaker System
- Continuous Power Handling 100W x 2 RMS
- Peak Music Power 600 Watts MAX
- Efficiency: 94.7dB 1W/1M 2.8V
- Frequency Response: 63Hz - 20KHz
- IP65 Marine-Grade Compliant
- Tube Mounting Kit Include

- Extrusion Aluminium Cabinet with Black Sand Powder Coating
- 8 Core Wires For Lighting and Speaker
- Integrated LED-RGB Sound Bar Lighting
- 4 x 4" Speaker, 2 x 1" Titanium Tweeter
- RF / BT or WiFi Controller For Multi-Function RGB LED Lighting (Optional)
- Left and Right Input for Stereo Application



**SBAR30BT**



**HYDR0 30" 2-WAY SOUND BAR WATERPROOF SPEAKER SYSTEM WITH INTEGRATED RGB LED LIGHT AND BLUETOOTH SYSTEM**

- For ATV / UTV , Golf Carts & Jeeps
- 30" Waterproof Sound Bar Speaker System
- IP65 Marine-Grade Compliant
- Continuous Power Handling 100W x 2 RMS
- Class D AMP with BT4.2
- Peak Music Power 400 Watts MAX
- 2 x 1" Titanium Dome PEI Surround Tweeter with Horn Face Plate
- 6 x 3" Speaker for Left and Right Channel
- Water Proof Paper Cone with Rubber Surround
- Magnet Material: Y35 Ferrite and Neodymium Reversed Magnet
- Efficiency: 95dB 1W/1M 2.8V
- Frequency Response: 63Hz - 20KHz

- Extrusion Aluminium Cabinet with Black Sand Powder Coating
- Aux. 3.5 mm Input & Output
- DC12-15 Volt Input, 3.8m Input Special Wires
- 2" & 1.75" Clamp for Tube and "L" Bracket for Flat Mounting
- BT AMP Auto Turn On/Off Circuit
- BT AMP High Temperature Protection
- BT Overload Protection
- BT AMP Short-Circuit Protection
- USB 3.0 Waterproof Port For Remote
- Chromed Cover Waterproof Remote Controller with 3M Connect Wires



▲▲ FOR ALL ELEMENTS 



"The **DS18 NXL400.4D** is a worthy Competitor to many of the old school brands. After hearing this amp there is no question in my mind that the new kid on the block can build a good sounding amplifier, and with the Sealed design and rugged construction, it is likely to provide many years of trouble free listening pleasure"

- Garry Springgay, PASMAG



**NXL-200.2D** HYDRO FULL RANGE MARINE 2-CHANNEL AMPLIFIER 1200 WATTS

**NXL-400.4D** HYDRO FULL RANGE MARINE 4-CHANNEL AMPLIFIER 1200 WATTS

**NXL-800.5D** HYDRO FULL RANGE MARINE 5-CHANNEL AMPLIFIER 1600 WATTS

**NXL-600.1D** HYDRO FULL RANGE MARINE MONOBLOCK AMPLIFIER 1200 WATTS



| HYDRO Amplifiers  | Channels | Max Power (Watts) | Power Output   |          |          |                 | Signal to Noise Ratio | Low Pass   | Subsonic | Frequency Response | Input Sensitivity | Dimensions (Millimeters) |
|-------------------|----------|-------------------|----------------|----------|----------|-----------------|-----------------------|------------|----------|--------------------|-------------------|--------------------------|
|                   |          |                   | 4 OHM          | 2 OHM    | 1 OHM    | 4 OHM Bridged   |                       |            |          |                    |                   |                          |
| <b>NXL-200.2D</b> | 2        | 1200W             | 2 x 100W       | 2 x 150W | N/A      | 1 x 300W        | >95dB                 | 40Hz-3KHz  | N/A      | 20-20KHz           | 0.2-5V            | 192x125x42               |
| <b>NXL-400.4D</b> | 4        | 1200W             | 4 x 100W       | 4 x 150W | N/A      | 2 x 300W        | >95dB                 | 40Hz-3KHz  | N/A      | 20-20KHz           | 0.2-5V            | 245x125x42               |
| <b>NXL-800.5D</b> | 5        | 1600W             | 4 x 80W + 200W | 4 x 125W | N/A      | 2 x 250W + 300W | >95dB                 | 40Hz-3KHz  | N/A      | 20-20KHz           | 0.2-5V            | 295x125x42               |
| <b>NXL-600.1D</b> | 1        | 1200W             | 1 x 250W       | 1 x 400W | 1 x 600W | N/A             | >95dB                 | 50Hz-250Hz | 10-50Hz  | 20-400Hz           | 0.2-5V            | 215x125x42               |

**NXL-N2** HYDRO MICROMARINE GRADE AMPLIFIER 2 CHANNELS 600 WATTS

**NXL-N4** HYDRO MICROMARINE GRADE AMPLIFIER 4 CHANNELS 640 WATTS

**NXL-N1** HYDRO MICROMARINE GRADE AMPLIFIER 1 CHANNELS 700 WATTS



| HYDRO Amplifiers | Channels | Max Power (Watts) | Power Output |          |          |               | Signal to Noise Ratio | Low Pass   | High Pass  | Frequency Response | Input Sensitivity | Dimensions LxWxH (mm) |
|------------------|----------|-------------------|--------------|----------|----------|---------------|-----------------------|------------|------------|--------------------|-------------------|-----------------------|
|                  |          |                   | 4 OHM        | 2 OHM    | 1 OHM    | 4 OHM Bridged |                       |            |            |                    |                   |                       |
| <b>NXL-N2</b>    | 2        | 600W              | 2 x 100W     | 2 x 150W | N/A      | 1 x 300W      | 90dB                  | N/A        | 40Hz-500Hz | 20Hz-20KHz         | 0.2V~+10V         | 195 x 93.4 x 39.8     |
| <b>NXL-N4</b>    | 4        | 640W              | 4 x 60W      | 4 x 90W  | N/A      | 2 x 180W      | 90dB                  | N/A        | 40Hz-500Hz | 20Hz-20KHz         | 0.2V~+10V         | 195 x 93.4 x 39.8     |
| <b>NXL-N1</b>    | 1        | 700W              | 1 x 140W     | 1 x 230W | 1 x 350W | N/A           | 90dB                  | 40Hz-500Hz | N/A        | 20Hz-500Hz         | 0.2V~+10V         | 195 x 93.4 x 39.8     |



**TSB3B**

BLACK MARINE, ATV / UTV & JEEPS TOWER MOUNTING TUBE WITH MOBILE CLAMPS

**TSB3W**

WHITE MARINE, ATV / UTV & JEEPS TOWER MOUNTING TUBE WITH MOBILE CLAMPS

- Die-Cast Solid Aluminum Full Rounded
- Included 2.25",2.5",2.75",3" NBR Pad
- Mounting Distance 48.3"-50.3"
- UV-Compliant Gloss
- Available in Black or White



**CLP3RB**

FOR ALL HYDRO NXL & CF TOWER MOUNTING MOBILE CLAMPS (Single)

- Black Die-Cast Solid Aluminum Full Rounded
- Buried Wire or Open Wire Mounting Optional
- Included/ 2.25",2.5",2.75",3" NBR Pad
- 360° Rotational Bracket
- Tilt Adjustable 30°
- UV-Compliant Gloss
- Available in Black or White



**CLP3RW**

FOR ALL HYDRO NXL & CF TOWER MOUNTING MOBILE CLAMPS (Single)

- White Die-Cast Solid Aluminum Full Rounded
- Buried Wire or Open Wire Mounting Optional
- Included t2.25",2.5",2.75",3" NBR Pad
- 360° Rotational Bracket
- Tilt Adjustable 30°
- UV-Compliant Gloss
- Available in Black or White



**TMBRB**

HYDRO NXL & CF TOWER MOUNTING 360° ROTATING BRACKET (Single)

- Black Die-Cast Aluminum
- Tilt Adjustable 30°
- UV-Complaint Gloss



**TMBRW**

HYDRO NXL & CF TOWER MOUNTING 360° ROTATING BRACKET (Single)

- White Die-Cast Aluminum
- Tilt Adjustable 30°
- UV-Complaint Gloss



**FLMB/B**

MARINE & UTV/ATV FLAT MOUNTING (Pair)

- Black Die-Cast Solid Aluminum
- 360° Rotational Bracket
- Tilt Adjustable 30°
- UV-Compliant Gloss



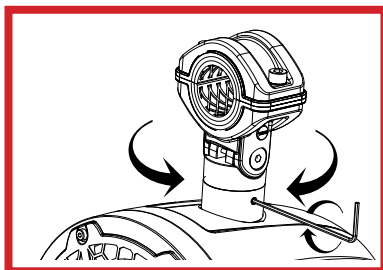
**FLMB/W**

MARINE & UTV/ATV FLAT MOUNTING (Pair)

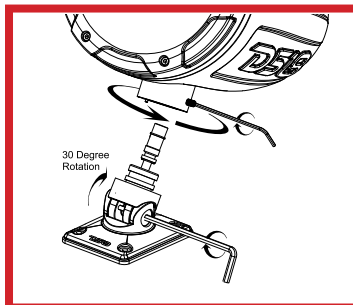
- White Die-Cast Solid Aluminum
- 360° Rotational Bracket
- Tilt Adjustable 30°
- UV-Compliant Gloss



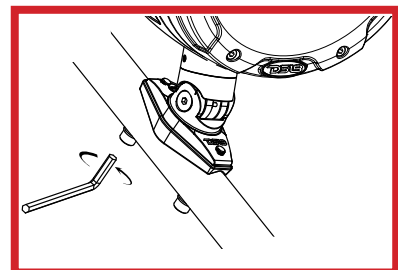
**CLP3R**



**FLMB**



**TMBR**



## MARINE GRADE OFC WIRES

**MOFC0GA25P**

MARINE GRADE OFC POWER WIRE 0GA 25 FEET RED

**MOFC0GA25G**

MARINE GRADE OFC GROUND WIRE 0GA 25 FEET BLACK

**MOFC4GA25P**

MARINE GRADE OFC POWER WIRE 4GA 25 FEET RED

**MOFC4GA25G**

MARINE GRADE OFC GROUND WIRE 4GA 25 FEET BLACK

**MOFC8GA25P**

MARINE GRADE OFC POWER WIRE 8GA 25 FEET RED

**MOFC8GA25G**

MARINE GRADE OFC GROUND WIRE 8GA 25 FEET BLACK

**MOFC12GA150SW**

MARINE GRADE OFC SPEAKER WIRE 12GA 150 FEET

**MOFC16GA150SW**

MARINE GRADE OFC SPEAKER WIRE 16GA 150 FEET



| WIRES        | SECTION AREA         | OD     |
|--------------|----------------------|--------|
| <b>0GA</b>   | 53mm <sup>2</sup>    | 15.8mm |
| <b>4GA</b>   | 21.04mm <sup>2</sup> | 10mm   |
| <b>8GA</b>   | 8.3mm <sup>2</sup>   | 6.7mm  |
| <b>12GA</b>  | 3.31mm <sup>2</sup>  | 4.5mm  |
| <b>16 GA</b> | 1.31mm <sup>2</sup>  | 3.2mm  |





## STORM-R

RED AND BLACK WATERPROOF WIRELESS BLUETOOTH SPEAKER WITH MICROPHONE

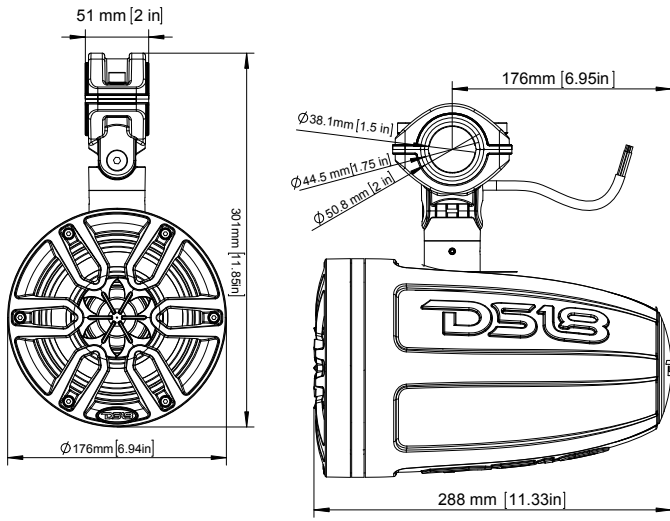
## STORM-S

SILVER AND BLACK WATERPROOF WIRELESS BLUETOOTH SPEAKER WITH MICROPHONE

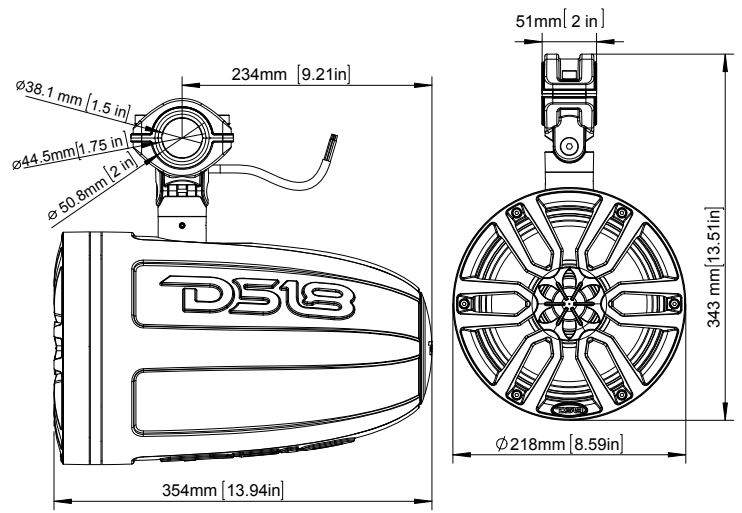
- 4.2 BT Version
- Lithium Battery Voltage: 7.4V
- Lithium Battery Capacity: 4400 mAh
- Speaker Spec: 40 mm 4 ohm 2 X 10 Watts
- Waterproof: IP67
- Battery Life: 9-12 Hours
- Charging Voltage: 5V
- THD: <0.3%
- SNR: >92dB
- BT Distance: 65 Feet
- Dimensions: 189mm x 51mm x 80mm



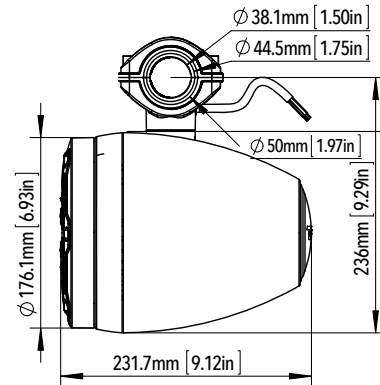
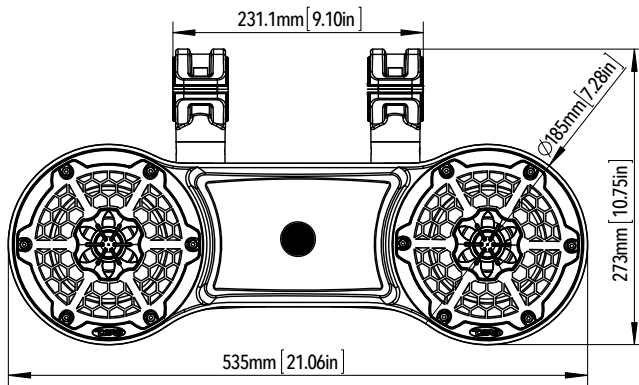
**CF-6TP  
NXL-6TP  
NXL6TPBNEO**



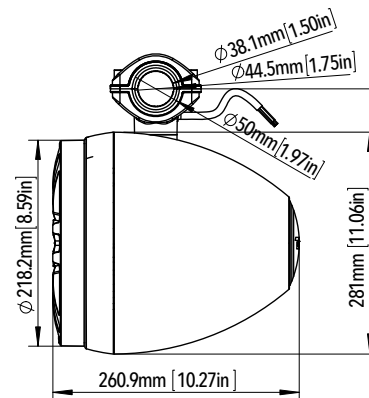
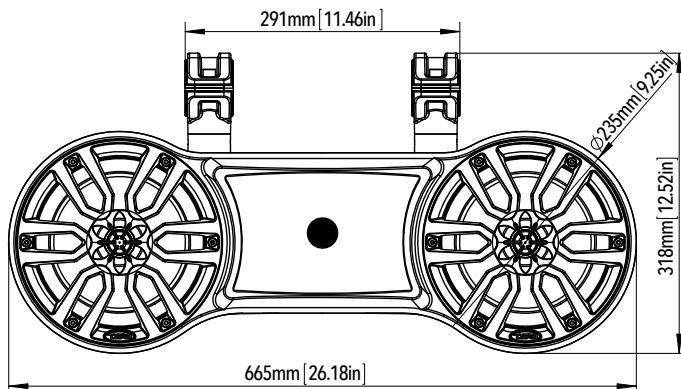
**CF-8TP  
NXL-8TP  
NXL8TPBNEO**



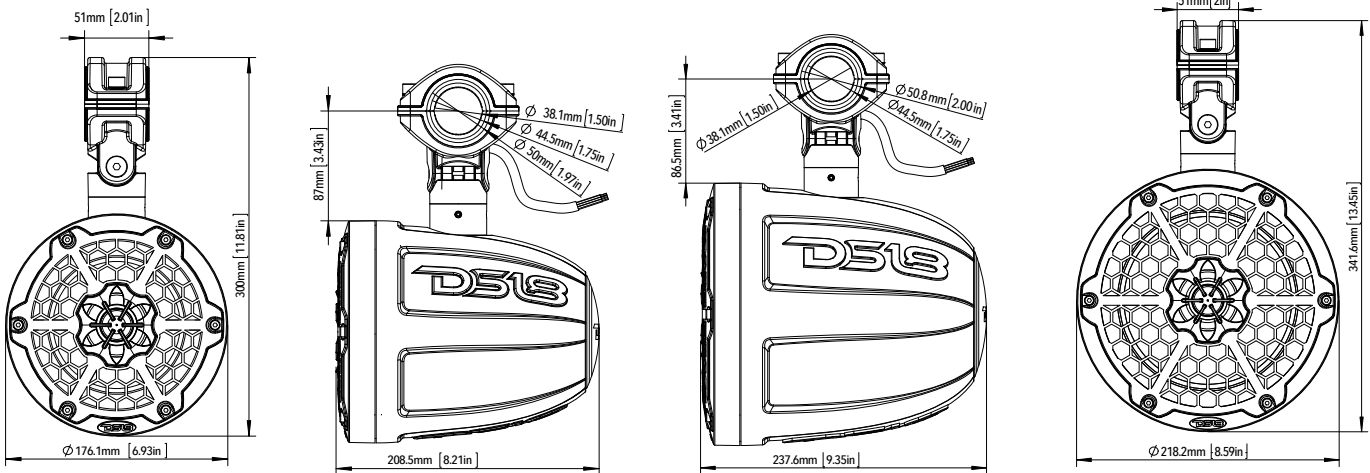
**NXL-62TD**



**NXL-82TD**

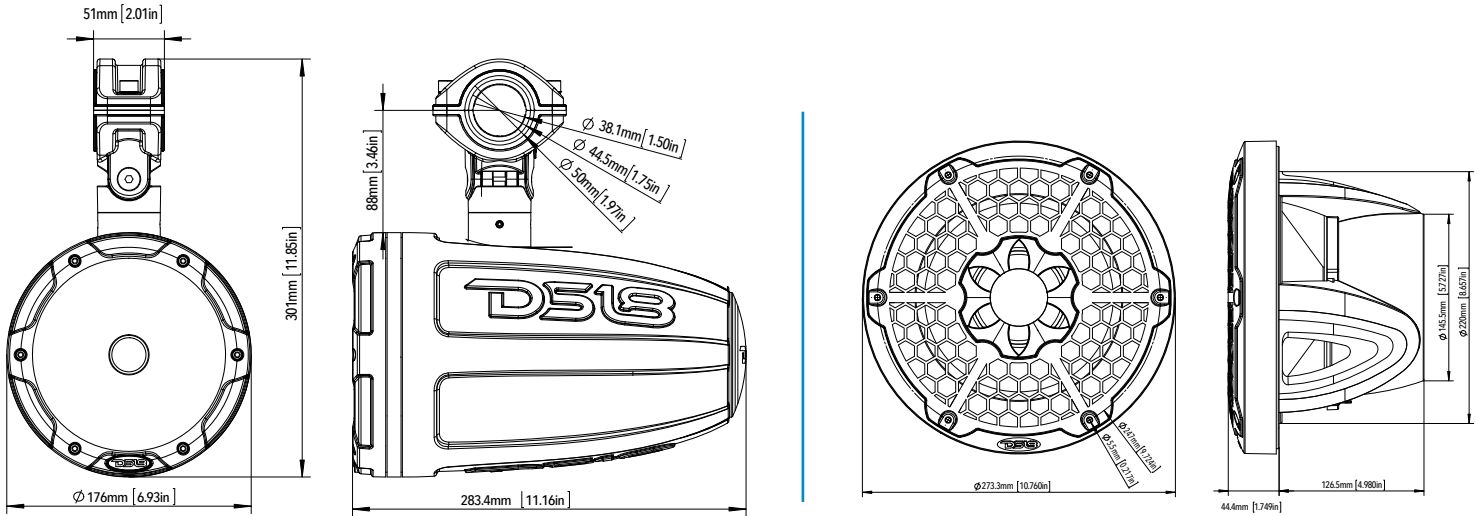


# CF-6UTV / CF-8UTV NXL-6UTV / NXL-8UTV

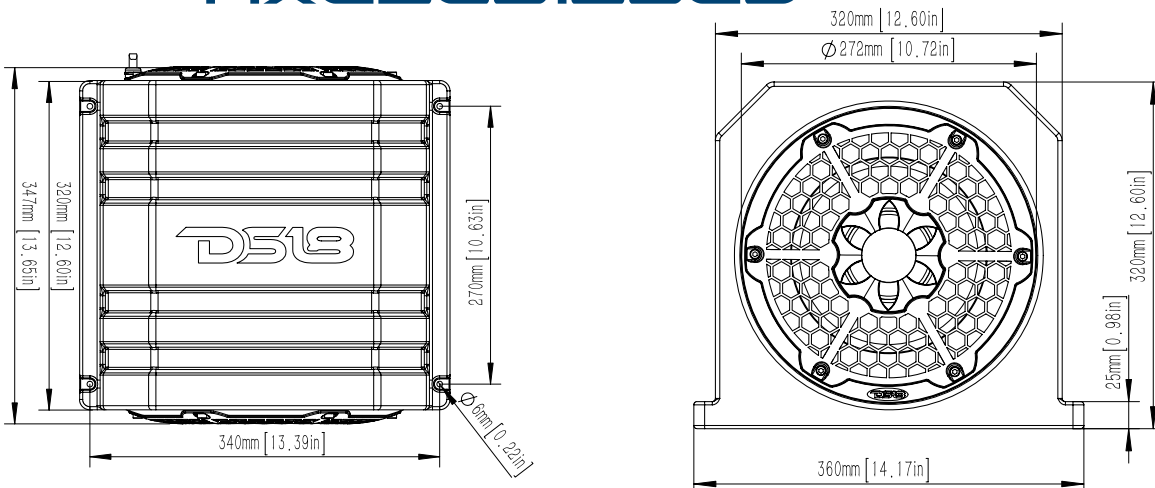


# CF-DT / NXLDT

# CF10SUB



# NXLSUB10BLD



**JK-SBAR/W**

EXCLUSIVE WHITE DS18 TOP SOUND BAR SYSTEM FOR JEEPS



**JK-SBAR/BK**

EXCLUSIVE BLACK DS18 TOP SOUND BAR SYSTEM FOR JEEPS



**JK-SBAR/G**

EXCLUSIVE GREY DS18 TOP SOUND BAR SYSTEM FOR JEEPS



**JK-SBAR/R**

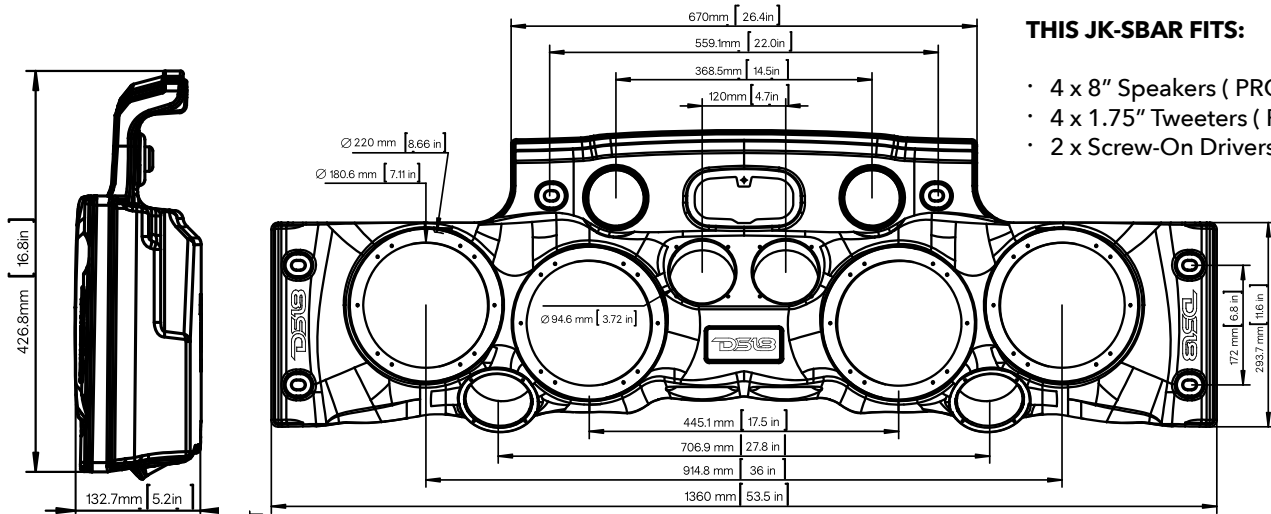
EXCLUSIVE RED DS18 TOP SOUND BAR SYSTEM FOR JEEPS



- High Density Plastic Molded with Color Injected (Never Peels Off)
- UV Protected and all Elements Ready
- Light Weight and Strong Material

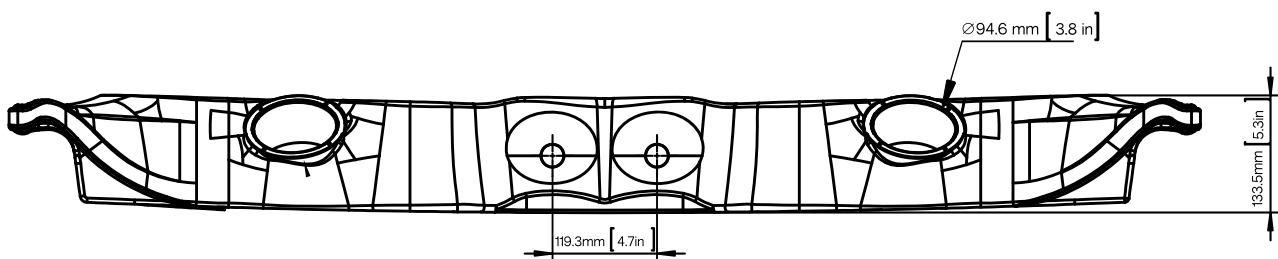
▲▲ **FOR ALL ELEMENTS** 





**THIS JK-SBAR FITS:**

- 4 x 8" Speakers ( PRO-X8M )
- 4 x 1.75" Tweeters ( PRO-TW4L )
- 2 x Screw-On Drivers ( PRO-DR350 )



## HMRBP

**WATERPROOF STEREO RECEIVER BUILT FOR THE OUTDOORS**

- Power: 4 x 40 Watts
- Operation Voltage: 11V-13.6V
- Outside  $\phi$ : 113mm
- Mounting Hole  $\phi$ : 87.9mm
- Mounting Depth: 63mm
- Bluetooth
- USB
- FM Radio
- AUX Input
- RCA Output



## HMRC

**WATERPROOF MARINE REMOTE CONTROL**

- Rubber Buttons
- Outside  $\phi$ : 61mm
- Mounting Hole  $\phi$ : 51mm
- Mounting Depth: 30mm
- Multi-Remote Compatible
- Ignition Protection Certified
- Bright White LED Illumination
- Meets ASTMB117 Salt/Fog Exposure Standard
- Meets ASTM D4329 UV Exposure Standard



## MCC

**MARINE 1-DIN HEADUNIT COVER**

- Protect your Marine 1-Din Headunit from Damage & the Marine Environment with MCC Splash Guard
- This Protective Bezel & Cover Will Protect Against Water Splashes and Spray.
- Constructed of UVA Resistant Plastic
- Dampened Flip-Up



## HM2MAUX

**WATERPROOF USB & 3.5MM AUX INPUT EXTENSION**

- Outside  $\phi$ : 38mm
- Mounting Hole  $\phi$ : 30mm
- Mounting Depth: 40mm



## HM1.5A

**WATERPROOF ANTENNA**

- 12 Volt Booster FM/AM Antenna with a 10dB/12dB FM Gain & a 5dB/2dB AM Gain





## SWLDC1.2

### STEERING WHEEL AND LONG DISTANCE REMOTE CONTROL COMBO

- Long Distance Remote Control Combo
- Control Your Music From Your Steering Wheel (SWC1.2)
- Control Your Music From Outside Your Car (LDC1.2)
- Switch From Aux, CD, USB And Radio
- Reach Up To 1200 Meters In Open Area Even When There Is High RF Interference
- Code IR To Match Any Radio

**THIS PACKAGE CONTAINS:**

- 1 Remote Control LDC1.2
- 1 Steering Wheel Remote Control SWC1.2
- 1 Receiver CR1.2
- 1 Cordon Keychain



RECEIVING UNIT

## LDC1.2

### 1200 METERS LONG RANGE DISTANCE REMOTE SOUND CONTROL

- Long Distance Remote Control
- Control Your Music From Outside Your Car
- Switch From Aux, Cd, Usb And Radio
- Reach Up To 1200 Meters In Open Area Even When There Is High RF Interference
- Code IR To Match Any Radio

**AVAILABLE IN:**

- White With Red Buttons
- Blue With White Buttons
- White With Black Buttons
- Black With Red Buttons
- Red With Black Buttons
- Black With Black Buttons

**THIS PACKAGE CONTAINS:**

- 1 Remote Control LDC1.2
- 1 Receiver CR1.2
- 1 Cordon Keychain



RECEIVING UNIT

## THEL2

### DUAL HORNS WITH ELECTRIC DUAL COMPRESSORS

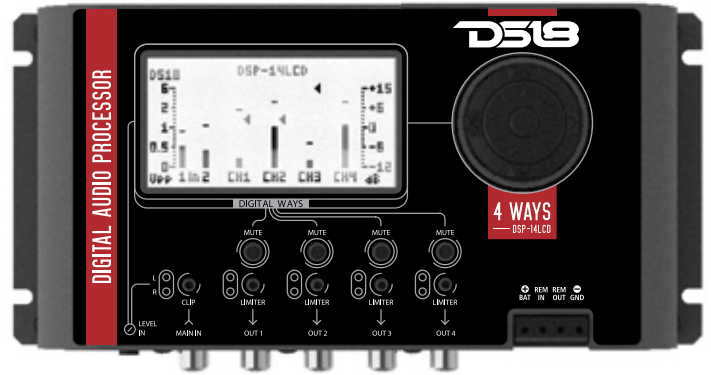
- Volt: 12V
- Current: 8-9A
- Size: 15.5" x 18.5"
- Decibel: 110-120dB (Test Distance: 1M)
- Stainless Steel Material



## DSP-14LCD

### DIGITAL AUDIO PROCESSOR 8 CHANNELS WITH PHONE AND COMPUTER CONTROL

- Input Channels: 2 (1Stereo)
- Output Channels: 8 (4 Stereo)
- Frequency Response: 20Hz to 20 KHz
- Master Semi-Parametric Equalizer: 15 Bands -10 to +10 dB
- Parametric Equalizer per Channel: 1 Band -12 to +12dB
- DSP Filter, 24-Bit Hi Pass and Low Pass: 20Hz to 20KHz, (OFF / 6 / 12 / 18 / 24/36 and 48 dB)
- Total Harmonic Distortion( THD): 0.002% at 1KHz
- 20Hz to 30KHz Signal to Noise Ratio: >90dB
- Phase: 0 and 180°
- Delay: 0 to 287 cm
- Maximum Input Level: 3.8Vpp / 10Ω
- MAXimum Output Level: 15 Vpp/ 470Ω
- Bar Graph: 0 to 6 Vpp with "Hold Peaks"
- Dimensions In millimeters (W x H x L): 202 x 103 x 43
- Weight: 480 gr.



## LBC8

### LED RGB BADGE COVER 8"

- Pure High Quality Inductor Filter
- Metal Housing
- Pure Copper Wire for Output RCA Output
- Valid Value of Avoid Noise: 1 0-80dB



▲▲ FOR ALL ELEMENTS

## LBC6VAM

### LED RGB BADGE COVER 6" WITH VOLT AMP METER DISPLAY

- Waterproof Volt & Current Meter
- Chrome Plated with RGB LED Logo
- DC 12V RGB Input
- 0-30 V Range
- 0-999 A Range
- 0.75MV 1000A
- Current Divert
- Frequency Response: 20Hz-30KHz
- Sensitivity: 0.1V-8V
- Input: RCA Jack
- Dimensions: 53.3L x 57W x 24.1H (mm)



▲▲ FOR ALL ELEMENTS

## BKVR

### REMOTE LEVEL CONTROL WITH VOLTMETER DISPLAY

- RCA Line Level Control with Volt-Meter and remote Amp Trigger
- Can Adjust the Amplifier Gain and Turn On / Off the Amp
- In-Dash or Under-Dash Mountable
- Rotary Push Turn ON/OFF Knob for Amplifier
- Remote Digital Volt-Meter (10V ~ 15.9V)
- Blue LED Display (High Voltage / Low Voltage)
- Dimensions: 82 x 75 x 27 mm
- 82 x 75 x 27 mm
- Compatible with most Head Units and Amplifiers Combinations
- Working Voltage: 10V ~ 15.9V
- Max Output Sensitivity: 0.1 -16V
- Frequency Response: 10 Hz - 30 KHz
- Dimensions: 82 x 75 x 27 mm



## BT-TWO

### AUDIO BT RECEIVER

- Waterproof IP65 Rated
- Stereo Male RCA Output
- Suited For All Elements
- Applications: Automobile, Marine, Powersport & More
- BT 4.0 (Higher Sound Quality, Faster Speed, Longer Range)
- Remote Trigger Output
- Low Current Draw: 20mA
- Inline Fuse Protection



# PRO



## PRO-GRILL6

6.5" SPEAKER GRILL COVER

## PRO-GRILL8

8" SPEAKER GRILL COVER

## PRO-GRILL10

10" SPEAKER GRILL COVER

- Material: PC/ABS
- Installation Method: Screw
- Available in: Blue, Red, Yellow, Green, White, Silver & Black




## PRO-GDR6RD

 6.5" RED SPEAKER GRILL COVER WITH BULLET TWEETER

## PRO-GDR8RD

 8" RED SPEAKER GRILL COVER WITH BULLET TWEETER


## PRO-GDR10RD

 10" RED SPEAKER GRILL COVER WITH BULLET TWEETER

## PRO-GDR6BK

 6.5" BLACK SPEAKER GRILL COVER WITH BULLET TWEETER

## PRO-GDR8BK

 8" BLACK SPEAKER GRILL COVER WITH BULLET TWEETER

## PRO-GDR10BK

 10" BLACK SPEAKER GRILL COVER WITH BULLET TWEETER



- Available in Red or Black
- Material: High temperature ABS Gloss with UV Coating
- Diaphragm Material: Titanium
- Voice Coil : 1.75" with Ferrofluid
- Magnet Material : Neodymium N40H
- Bullet Material: Solid Aluminum
- Mylar Capacitor: 6dB
- Frequency Response: 1.6KHz-20KHz
- Impedance: 4 OHM
- Sensitivity: 98dB 1w /1m
- RMS Power Handling: 250W
- Max Power Handling: 500W
- Tweeter Wire Lenth: 0.6m
- RGB Light Built-in with 1m lenth wire input

# PRO

## PRO-TW4L



1.75" TITANIUM SUPER BULLET TWEETER (SINGLE)

- Transparent Polycarbonate Frame
- Frequency response 1.5-20KHz
- Built in RGB LED
- 300 Watts RMS Power
- 600 Watts MAX Power
- Sensitivity 108dB
- Magnet Size 16oz
- Diaphragm Material: Titanium
- Magnet Material: Ferrite



## PRO-TW820

1" ALUMINUM SUPER BULLET TWEETER WITH SCREW RING DESIGN (SINGLE)

- RMS Power Handling: 100 Watts
- MAX Power Handling: 200 Watts
- Impedance: 4 ohm
- Sensitivity (1W/1M): 102.5 dB
- Frequency Range: 2 KHz - 20 KHz
- Diaphragm Material: Aluminum
- Voice Coil Diameter: 1" (25.4 mm)
- Frame Material: Black Die Cast Aluminum
- Magnet Material: Neodymium



## LRING6



RGB LED ACRYLIC RING FOR 6" SPEAKER GRILL COVER

## LRING8



RGB LED ACRYLIC RING FOR 8" SPEAKER GRILL COVER

## LRING10



RGB LED ACRYLIC RING FOR 10" SPEAKER GRILL COVER

## LRING12



RGB LED ACRYLIC RING FOR 12" SPEAKER GRILL COVER

## LRING15



RGB LED ACRYLIC RING FOR 15" SPEAKER GRILL COVER



SPEAKERS SOLD SEPARATELY



## FH4W

4 WAY FUSE HOLDER  
DOES NOT INCLUDE TERMINAL & FUSE

- Clear protective cover
- Heat resistant base and cover
- Durable finish and conductivity
- Copper
- 4 way Fuse Holder with LED Light
- Easy installation for multi use combinations



## FH2W

2 WAY FUSE HOLDER  
DOES NOT INCLUDE TERMINAL & FUSE

- Clear protective cover
- Heat resistant base and cover
- Durable finish and conductivity
- Copper
- 2 way Fuse Holder with LED Light
- Easy installation for multi use combinations



## FHRANL250A

ROUND ANL FUSE HOLDER WITH 250A FUSE

- Clear protective cover
- Heat resistant base and cover
- Durable finish and conductivity
- Nickel Plated
- 250 Amp Mini ANL Fuse Included
- 0/4 GA Round
- Easy installation for multi use combinations
- Solid construction designed and engineered in USA



## FHRANL

ROUND ANL FUSE HOLDER

- Clear protective cover
- Heat resistant base and cover
- Durable finish and conductivity
- Nickel Plated
- 0/4 GA Round
- Easy installation for multi use combinations
- Solid construction designed and engineered in USA



## FHSANL200A

ANL FUSE HOLDER WITH 200A FUSE

- Clear protective cover
- Heat resistant base and cover
- Durable finish and conductivity
- Nickel Plated
- 200 Amp Mini ANL Fuse Included
- 0/4 GA Square
- Easy installation for multi use combinations
- Solid construction designed and engineered in USA



## FHSANL

ANL FUSE HOLDER

- Clear protective cover
- Heat resistant base and cover
- Durable finish and conductivity
- Nickel Plated
- 0/4 GA Square
- Easy installation for multi use combinations
- Solid construction designed and engineered in USA



## FHSANL1014DIG

ANL FUSE HOLDER WITH BUILT IN VOLT-METER

- Smoke color protective cover
- Heat resistant base and cover
- Durable finish and conductivity
- Nickel Plated
- 150 Amp Mini ANL Fuse included
- Volt Meter LED Display
- 1/2 GA IN 2/4 GA OUT
- Easy installation for multi-use combinations
- Solid construction designed and engineered in USA



Dimensions: 4 x 1.8 x 3"

## FHAFS-150A

AFS MINI ANL FUSE HOLDER 4/8GA IN  
4/8GA OUT WITH 150A FUSE

- Smoke color protective cover
- Heat resistant base and cover
- Durable finish and conductivity
- Nickel Plated
- 150 Amp Mini ANL Fuse included
- 4/8 GA IN 4/8 GA OUT
- Easy installation for multi use combinations
- Solid construction designed and engineered in USA



## FHAFSDIG-120A

AFS MINI ANL FUSE HOLDER 2/4GA IN  
2/4GA OUT WITH VOLTMETER AND 120A FUSE

- Smoke color protective cover
- Heat resistant base and cover
- Durable finish and conductivity
- Nickel Plated
- 120 Amp Mini ANL Fuse included
- Volt Meter LED Display
- 2/4 GA IN 2/4 GA OUT
- Easy installation for multi use combinations
- Solid construction designed and engineered in USA



## FHSAGU

AGU FUSE HOLDER

- Clear protective cover
- Durable finish and conductivity
- Dimensions: 3 x 1.5 x 1.2"
- Easy installation for multi-use combination



## FHSAGU80A

AGU FUSE HOLDER WITH 80A FUSE

- Clear protective cover
- Durable finish and conductivity
- Dimensions: 3 x 1.5 x 1.2"
- Easy installation for multi-use combination





## DB-3ANL-150A

ANL DISTRIBUTION 1x0GA IN- 3x4GA OUT WITH 3x150A FUSE

- Input: 1 x 0 Gauge
- Output: 3 x 4 Gauge
- Includes 3 150A Fuses
- Easy installation for multi use combinations

## FDG1224AFS-80A

ANL FUSE HOLDER AND DISTRIBUTION BLOCK 0GA IN - 2X4GA OUT WITH VOLTMETER

- Smoke color protective cover
- Heat resistant base and cover
- Durable finish and conductivity
- Easy installation for multi use combinations
- Nickel Plated
- Volt Meter LED Display
- 80 AMP ANL Fuse included
- 1x2/4 GA IN 2x4 GA OUT
- Solid construction
- Designed and engineered in USA
- Dimensions: 2.2 x 1.5 x 2.8"



## FDG1024ANLDIG

ANL FUSE HOLDER AND DISTRIBUTION BLOCK 1x0/4GA IN - 2x4/8GA OUT WITH BUILT IN VOLTMETER

- Smoke color protective cover
- Heat resistant base and cover
- Durable finish and conductivity
- Nickel Plated
- Volt Meter LED Display
- 0/4 GA IN 2x4/8 GA OUT
- Easy installation for multi use combinations
- Solid construction designed and engineered in USA
- Dimensions: 4 x 1.8 x 4.5"



## FD1024/38AFS-60A

AFS MINI ANL FUSE HOLDER AND DISTRIBUTION BLOCK 1X0GA 2X4GA IN - 3X8GA OUT WITH 60A FUSES

- Smoke color protective cover
- Heat resistant base and cover
- Durable finish and conductivity
- Nickel Plated
- 60 Amp Mini ANL Fuse included
- 1x0 GA 2x4 GA IN 3x8 GA OUT
- Easy installation for multi use combinations
- Solid construction designed and engineered in USA
- Dimensions: 3.2 x 1 x 2.2"



## FD1024/28AFS-60A

AFS MINI ANL FUSE HOLDER AND DISTRIBUTION BLOCK 1X0GA 2X4GA IN - 2X8GA OUT WITH 60A FUSES

- Smoke color protective cover
- Heat resistant base and cover
- Durable finish and conductivity
- Nickel Plated
- 60 Amp Mini ANL Fuse included
- 1x0 GA 2x4 GA IN 3x8 GA OUT
- Easy installation for multi use combinations
- Solid construction designed and engineered in USA
- Dimensions: 3.2 x 1 x 1.8"



## FD1024/48AFS-60A

AFS MINI ANL FUSE HOLDER AND DISTRIBUTION BLOCK 1X0GA 2X4GA IN - 4X8GA OUT WITH 60A FUSES

- Smoke color protective cover
- Heat resistant base and cover
- Durable finish and conductivity
- Nickel Plated
- 60 Amp Mini ANL Fuse included
- 1x0 GA 2x4 GA IN 4x8 GA OUT
- Easy installation for multi use combinations
- Solid construction designed and engineered in USA
- Dimensions: 3.2 x 1 x 2.8"



## DB1020

DISTRIBUTION BLOCK 1X0GA IN/2X0GA OUT

- Clear protective cover
- Heat resistant plastic housing
- Distribution ground block
- Nickel Plated
- 1x0 GA IN 2x0 GA OUT
- Dimensions: 2.2x1.2x1.8"
- Weight: 8.9 oz



## DB1024

DISTRIBUTION BLOCK 1X0GA IN/2X4GA OUT

- Clear protective cover
- Heat resistant plastic housing
- Distribution ground block
- Nickel Plated
- 1x0GA IN 2x4GA OUT
- Dimensions: 2.8x2.2x1.2"
- Weight: 4.6 oz



## DB1030

DISTRIBUTION BLOCK 1X0GA IN/3X0GA OUT

- Clear protective cover
- Heat resistant plastic housing
- Distribution ground block
- Nickel Plated
- 1x0GA IN 3x0GA OUT
- Dimensions: 4.2x1.2x2.5"
- Weight: 9.9 oz



## DB1024

DISTRIBUTION BLOCK 1X0GA IN/2X4GA OUT

- Clear protective cover
- Heat resistant plastic housing
- Distribution ground block
- Nickel Plated
- 1x0GA IN 2x4GA OUT
- Dimensions: 2.8x2.2x1.2"
- Weight: 4.6 oz



## DB1448

DISTRIBUTION BLOCK 1X4GA IN/4X8GA OUT

- Clear protective cover
- Heat resistant plastic housing
- Distribution ground block
- Nickel Plated
- 1x4GA IN 4x8GA OUT
- Dimensions: 2.2x2x1"
- Weight: 4.2 oz





## DP1V1/0

DUAL 1/0 GA TO 1/0 GA AMP INPUT REDUCERS WITH OFFSET STUB

**Nickel Plated Ultra Conductive Copper Alloy**  
Power Reductor  
1 x 1/0GA Pin Output  
2 x 2/0GA Input Wire



## SB2/PN

COMPETITION BATTERY/GROUND SCREW TYPE TERMINAL

**Nickel Plated Ultra Conductive Copper Alloy**  
2 x 1/0GA  
1 x 2/0GA  
Bolt Down Holes



## SB1-PN

SB1-PN COMPETITION BATTERY / GROUND SCREW TYPE TERMINA

**Nickel Plated Ultra Conductive Copper Alloy**  
4 x 4/0GA  
2 x 6/0GA  
Bolt Down Holes



## B1

COMPETITION POSITIVE AND NEGATIVE BATTERY TERMINAL

**Nickel Plated Ultra Conductive Copper Alloy**  
4 x 4/0GA  
2 x 6/0GA  
Bolt Down Holes



## DBAR-3

3 DISTRIBUTION BAR BLOCK FOR BATTERY TERMINAL

**Nickel Plated Ultra Conductive Copper Alloy**  
3 x 1/0GA  
15 x 2/0GA  
Screw Down Holes for Terminals



## DBAR-2

2 DISTRIBUTION BAR BLOCK FOR BATTERY TERMINAL

**Nickel Plated Ultra Conductive Copper Alloy**  
3 x 6/0GA  
15 x 4/0GA  
Screw Down Holes for Terminals



## DBAR-1

INPUT BATTERY TERMINAL

**Nickel Plated Ultra Conductive Copper Alloy**  
1 x 1/0GA  
3 x 2/0GA  
Screw Down Holes for Terminals



## CCL/4

COPPER LUGS 4GA PACK OF 10 PCS



## CCL1/0

COPPER LUGS 1/0GA PACK OF 10 PCS



## CCL2/0

COPPER LUGS 2/0GA PACK OF 10 PCS



# 13.3 VOLT HIGH CURRENT LITHIUM BATTERY (LIFE PO4)



**FEATURES**

- High Density Plastic & Unique Design
- Latest Generation of Lithium Cell (LifePo40)
- Nickel Plated Ultra Conductive Copper Alloy Terminals
- Very Extreme Burst Amps Output
- Small Size, Light Weight and more power compared with AGM Batteries
- BMS Charging Port Built-In
- High Voltage During Resting Mode (13.3V)
- Fast Recovery



## LITHIUM BATTERIES

| LITHIUM Batteries | Nominal Voltage | Nominal Ah | Continuous Discharge (4 min Test) | Peak Discharge (30 sec Test) | Burst Amps (Less than 1sec Test) | Dimensions In Inches |       |        | Weight Lb | Charge Voltage |
|-------------------|-----------------|------------|-----------------------------------|------------------------------|----------------------------------|----------------------|-------|--------|-----------|----------------|
|                   |                 |            |                                   |                              |                                  | Length               | Width | Height |           |                |
| LTI1KA            | 13.3V           | 24Ah       | 360A                              | 720A                         | 1000A                            | 6.57                 | 7.2   | 5      | TBA       | 14.6V          |
| LTI2.2KA          | 13.3V           | 40Ah       | 600A                              | 1200A                        | 2200A                            | 7                    | 12.2  | 5      | TBA       | 14.6V          |
| LTI4.5KA          | 13.3V           | 80Ah       | 1200A                             | 2400A                        | 4500A                            | 15.8                 | 7     | 8      | 39 Lb     | 14.6V          |
| LTI9KA            | 13.3V           | 160Ah      | 2400A                             | 4800A                        | 9000A                            | 19.5                 | 10.6  | 7.6    | 79 Lb     | 14.6V          |

LITHIUM Batteries: High-Tech Battery, Life PO4, Short Circuit, Overload (Charging Port) B.M.S. Built in Protection, Lightweight & Hi Volt Float



Sometimes your high powered audio systems are going to require more power than your average battery is able to generate. DS18 high output and high current batteries combine deep cycle capabilities and the fastest charge and discharge rates, making them ideal for car audio and hydraulics applications. They can also be used as an upgrade for almost all other applications where high performance and reliability are a must.

## AGM BATTERIES

| AGM Batteries | Nominal Voltage | Nominal Ah | 20Hr Capacity | Burst Amps   | Terminal Posts | Dimensions In Inches |       |        | Weight Kgs | Charging Current | Charge Voltage | Float Voltage | Group |
|---------------|-----------------|------------|---------------|--------------|----------------|----------------------|-------|--------|------------|------------------|----------------|---------------|-------|
|               |                 |            |               |              |                | Length               | Width | Height |            |                  |                |               |       |
| PC25          | 12.8V           | 25Ah       | 27Ah          | 160-195A     | T3             | 6.50                 | 4.96  | 6.85   | 7.70       | < 6A             | 14.4-14.9V     | 13.6-13.8V    | N/A   |
| PC35          | 12.8V           | 23Ah       | 37Ah          | 190-230A     | T3             | 7.72                 | 5.12  | 7.05   | 10         | < 8.25A          | 14.4 - 14.9V   | 13.6-13.8V    | U1    |
| PC45          | 12.8V           | 45Ah       | 47Ah          | 275-320A     | T3             | 7.80                 | 6.54  | 6.85   | 12.90      | < 10.5A          | 14.4 - 14.9V   | 13.6-13.8V    | U1L   |
| PC55          | 12.8V           | 55Ah       | 60Ah          | 400-480A     | T3             | 9.02                 | 5.43  | 8.90   | 17.40      | < 13.8A          | 14.4 - 14.9V   | 13.6-13.8V    | 22NF  |
| PC80          | 12.8V           | 80Ah       | 85Ah          | 510-600A     | T3             | 10.24                | 6.65  | 9.09   | 23.30      | < 20A            | 14.4 - 14.9V   | 13.6-13.8V    | 24    |
| PC90          | 12.8V           | 90Ah       | 100Ah         | 530-630A     | T3             | 12.09                | 6.65  | 8.94   | 26.70      | < 22.5A          | 14.4 - 14.9V   | 13.6-13.8V    | 27    |
| PC100         | 12.8V           | 100Ah      | 110Ah         | 605-720A     | T4             | 12.91                | 6.77  | 8.74   | 30         | < 25A            | 14.4 - 14.9V   | 13.6-13.8V    | 31    |
| PC150         | 12.8V           | 150Ah      | 160Ah         | 900-1,070A   | T4             | 19.06                | 6.73  | 9.49   | 41         | < 30A            | 14.4 - 14.9V   | 13.6-13.8V    | N/A   |
| PC180         | 12.8V           | 180Ah      | 200Ah         | 1,260-1,498A | T4             | 20.94                | 8.11  | 8.70   | 52.50      | < 36A            | 14.4 - 14.9V   | 13.6-13.8V    | 4D    |
| PC220         | 12.8V           | 220Ah      | 240Ah         | 1,700-2,090A | T5             | 20.55                | 9.45  | 9.61   | 60.50      | < 44A            | 14.4 - 14.9V   | 13.6-13.8V    | 4D    |
| PC250         | 12.8V           | 250Ah      | 280Ah         | 2,380-2,926A | T5             | 20.47                | 10.55 | 9.65   | 68         | < 50A            | 14.4 - 14.9V   | 13.6-13.8V    | 8D    |

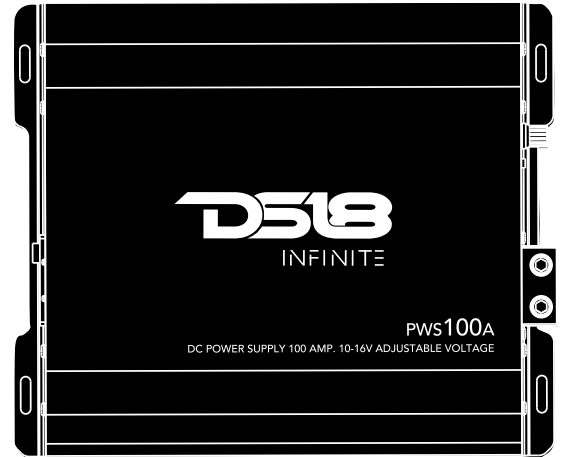
AGM Batteries: Sealed, Maintenance Free, Non-Spillable & Deep Cycle



## PWS100A

### 100-AMP SWITCHING DC POWER SUPPLY

- Input Voltage: 20V AC +10%
- Input Frequency: 60 Hz
- Adjustable Output: 10V-16V DC + 0.5 Volts
- Line Regulation: Less than +5%
- Load Regulation: Less than +5%
- Output Current: 100A DC continuous (Max)
- Efficiency: More than 85%
- Overload Protection: Fuse 20A/250V (Input voltage: 120V)
- Output Ripple: 150 mv RMS
- Design: Switching type
- Protection Temperature: 75°C / 161.6°F
- Cooling Fan: 4 PCS (40 x 40 x 10 mm)
- Input Cable: SVT 14 AWG
- Power Switch: 20A/250V AC
- Dimensions (W x H x L): 67 x 247 x 262.4 mm



## PWSI200A

### 200-AMP SWITCHING DC POWER SUPPLY

- Input (Automatic Bi-Volt): 90 to 140Vac / 170 to 240Vac
- Consumption with maximum load: 3000W
- Maximum Output Current: 200A
- Maximum Output Voltage: 14.4 Vdc
- Intelligent Charging System: 13.8 / 14.4 Vdc cyclic
- Accuracy Voltmeter / Amp Meter: 99% / 96%
- Refrigeration: Forced
- Protections: Excess charge, short on output and temperature
- Weight kg: 2,750
- Dimensions L x W x D (mm): 295 x 190 x 90



## PWSMA56A

### MARINE BATTERY CHARGER 56 AMPS

- Input (Automatic Bi-volt): 90 to 140Vac / 170 to 240Vac
- Consumption with maximum load: 810W
- Maximum output current: 56 Amperes
- Maximum Output Voltage: 14.4 Vdc
- Intelligent charging system: 13.8 / 14.4 cyclic
- Voltmeter accuracy: 99%
- Ammeter Accuracy: 96%
- Refrigeration: Forced
- Protections: Excess charge, short on output and temperature
- Dimensions L x W x D (mm): 240 x 225 x 67
- Weight kg: 2,760



**DG2000I**

**2000W DIGITAL GENERATOR AND BATTERY CHARGER**

- Running Watts 1.6 Kw, MAX 2 Kw
- Unleaded Gasoline 4-Stroke Engine
- Noise Level at 7 meters is only 58 dB
- Approved by EPA, Carb, GS, CE Certificates
- Inverter-Silent Technology
- Pure Sine Waveform
- Auto-Power System (With Auto-Breaker Protection System)
- Up to 6 Hours of Run Time at 50% Load
- 12 Volt Output for Battery Charging Only
- USB Charging Port. Ideal for Powering Small Appliances like Cellphones, Laptops, TV, Radios etc.



**DG3000I**

**3000W DIGITAL GENERATOR AND BATTERY CHARGER**

- Running Watts 2.8 Kw, MAX 3 Kw
- Electric start, very easy to start
- Unleaded Gasoline 4-Stroke Engine
- Noise level at 7meters is only 62 dB
- Approved by EPA, Carb, GS, CE Certificates
- Inverter-Silent Technology
- Pure Sine Waveform
- Auto-Power System (with auto-breaker protection system)
- Up to 12 hours of run time at 50% load
- 12 Volt Output for battery charging only
- USB charging port Ideal for powering a small appliance like cellphones, laptops, TV, Radios, etc.
- Incorporated wheels



## ATS18K

**CAR JUMP STARTER WITH SMART CLAMPS 10,000 MAH**

- 10,000 mAh
- Input: 15V / 1A
- Output: 5V / 2A for Mobile Devices
- Output: 9V / 2A 5V / 3A QC 3.0 Quick Charge
- Output: 12V for Car Jump
- Start Current: 200A
- Peak Current: 400A
- Lifetime: More than 3000 Cycles
- Charging Time: 6 Hours
- Operating Temp.: From -4 °F to 140 °F
- Size: 165 x 75 x 30 mm



LAPTOPS



CARS & TRUCKS  
(UP TO 3.0L)



TABLETS



MOTORCYCLES



MOBILE  
PHONE



WATERCRAFT



VIDEO  
GAMES



ATV's / UTV's  
SNOWMOBILES



## ATS10K

**ULTRA THIN CAR JUMP STARTER 8,000 MAH**

- Capacity Bank: 8,000 mAh
- Input: 5V / 2A
- Output: 12V for Car Jump
- Output: 5V / 2A for Mobile Devices
- Start Current: 200A
- Peak Current: 400A
- Lifetime: More than 3000 Cycles
- Charging Time: 4 Hours
- Operating Temp.: From: -4 °F to 140 °F 135x78x20 mm
- Size: 135x78x20 mm



LAPTOPS



CARS & TRUCKS  
(UP TO 3.0L)



TABLETS



MOTORCYCLES



MOBILE  
PHONE



WATERCRAFT



VIDEO  
GAMES



ATV's / UTV's  
SNOWMOBILES



# DS18 HYDRO

△▲ FOR ALL ELEMENTS ≡

1400 NW 159<sup>TH</sup> ST. SUITE 101 MIAMI GARDENS, FL 33169

CALL US: 954.924.1213 • FAX US: 954.966.0074

FOR MORE INFORMATION ABOUT OUR PRODUCTS, PLEASE VISIT OUR WEBSITE

[DS18.COM](http://DS18.COM)

#WELIKEITLOUD

#WELIKEITLOUD

